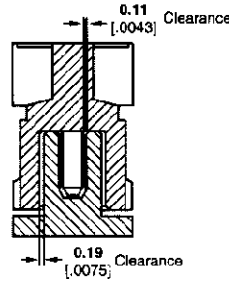
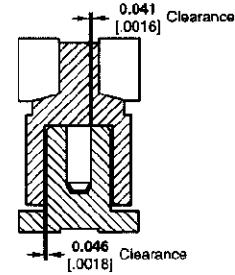


1.0mm FH (IEEE 1386) Connectors (Continued)

Additional clearance during mating increases reliability by allowing registration misalignment and decreases stresses on the solder joints.

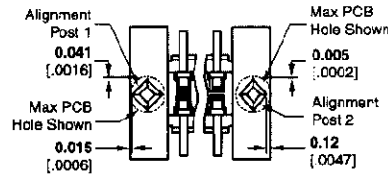


AMP Product

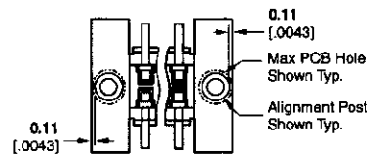


Standard Product

Improved locating posts allow fast, accurate hand placement on the board by promoting proper location at both the minimum and maximum dimensions of connector material tolerances and PC board hole tolerances.



AMP Product



Standard Product

Board-to-Board Stacking Heights (By Receptacle/Plug Combinations)

No. of Positions	Stacking Height	Part Numbers				
		With Locating Posts		With Vacuum Cover		
		Receptacle	Plug	Receptacle	Plug	
64	8 [.315]	120521-1	120525-1	120528-1	120532-1	
	9 [.354]	120521-1	120526-1	120528-1	120533-1	
	10 [.394]	120521-1	120527-1	120528-1	120534-1	
	11 [.433]	120603-1	120526-1	120529-1	120533-1	
	12 [.472]	120603-1	120527-1	120529-1	120534-1	
	13 [.512]	120523-1	120527-1	120530-1	120534-1	
	14 [.551]	120524-1	120526-1	120531-1	120533-1	
	15 [.591]	120524-1	120527-1	120531-1	120534-1	
	84	8 [.315]	120521-2	120525-2	120528-2	120532-2
		9 [.354]	120521-2	120526-2	120528-2	120533-2
10 [.394]		120521-2	120527-2	120528-2	120534-2	
11 [.433]		120603-2	120526-2	120529-2	120533-2	
12 [.472]		120603-2	120527-2	120529-2	120534-2	
13 [.512]		120523-2	120527-2	120530-2	120534-2	
14 [.551]		120524-2	120526-2	120531-2	120533-2	
15 [.591]		120524-2	120527-2	120531-2	120534-2	

Note: Receptacle specifications are shown on page 116, 117; plug specifications are shown on page 118, 119.



Free Height (FH) Connectors (Continued)

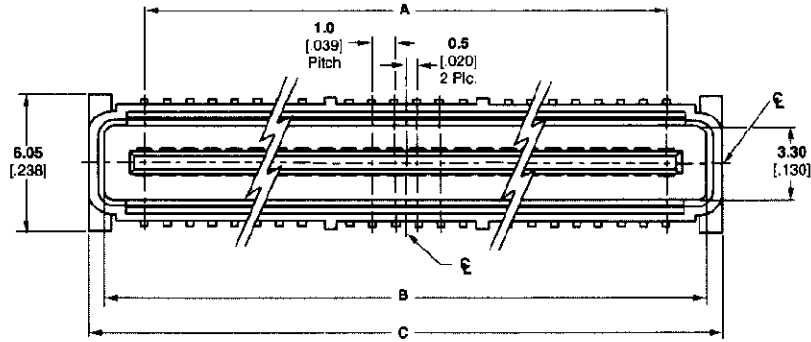
1.0mm FH (IEEE 1386) Plugs with Locating Posts, 1.0 [.039] Pitch

8 [.315] thru 15 [.591] Stacking Heights

Material and Finish:

Housing — Liquid crystal polymer, black

Contacts — Phosphor bronze; duplex plated 0.00076 [.000030] min. gold on contact area, 0.00381 [.000150] min. tin-lead on solder area, with entire contact underplated 0.00127 [.000050] min. nickel



Related Product Data:

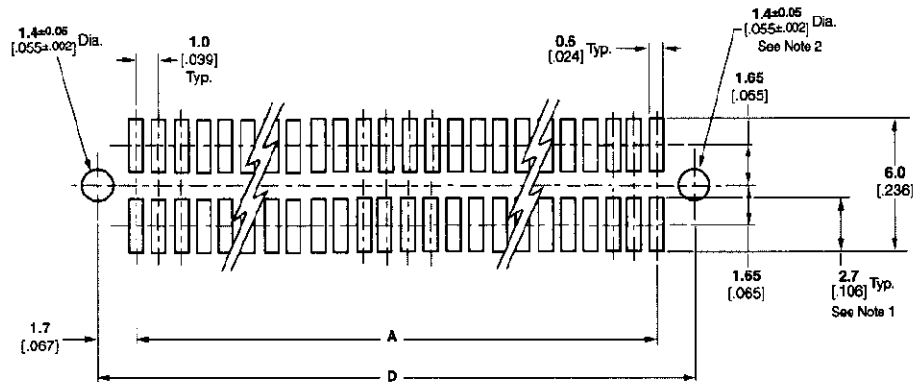
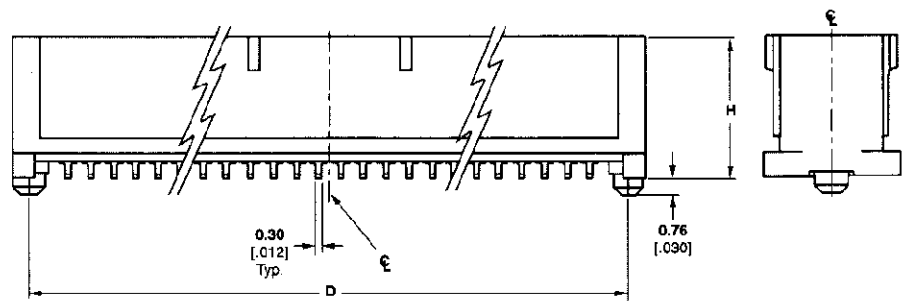
Performance Characteristics — Page 114

Stacking Height Combinations — Page 115

Mating Receptacles — Page 116, 117

Technical Documents:

EIA-700 AAAB Specification
AMP Application Specification: 114-25045



Recommended PC Board Layout

No. of Positions	Dimensions					Plug Part Numbers
	A	B	C	D	H	
64	31.0 1.220	34.58 1.361	35.9 1.413	34.4 1.354	6.35 .250	120525-1
					7.35 .289	120526-1
					8.35 .329	120527-1
84	41.0 1.614	44.58 1.755	45.9 1.807	44.4 1.748	6.35 .250	120525-2
					7.35 .289	120526-2
					8.35 .329	120527-2

Notes: 1. Shorter solder lands may be used per EIA-700 AAAB. However, the 2.7 [.106] length assures optimum solder fillet regardless of connector manufacturer.
 2. 1.5 ± 0.05 [.059 ± .002] diameter hole should be used if placed on PC board with vacuum placement equipment.