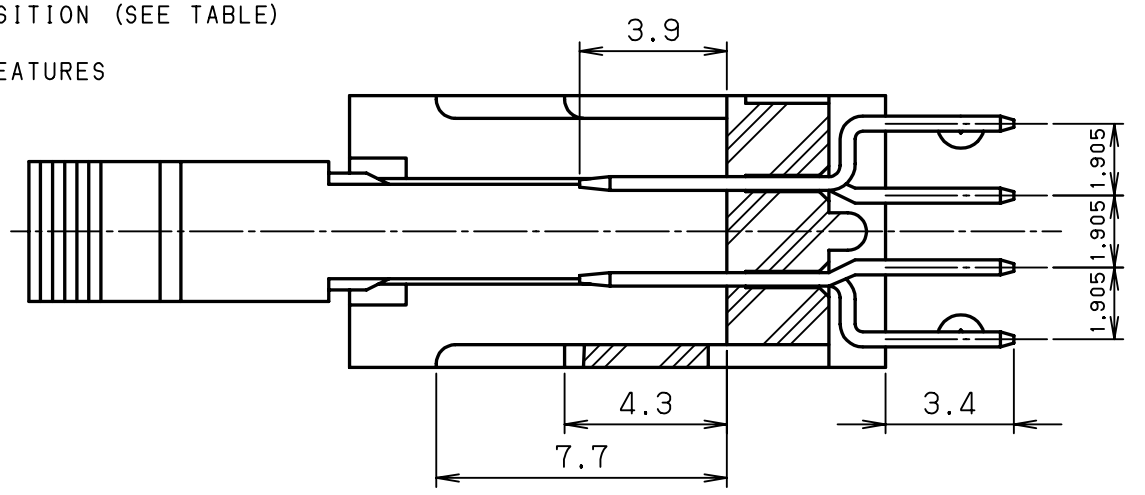


NOTE
 1. CONTACT PLATING
 CONTACT AREA: GOLD 0.2μm
 TERMINAL AREA: TIN/LEAD 2μm
 2. ALL OVER NICKEL 1μm UNDERPLATED

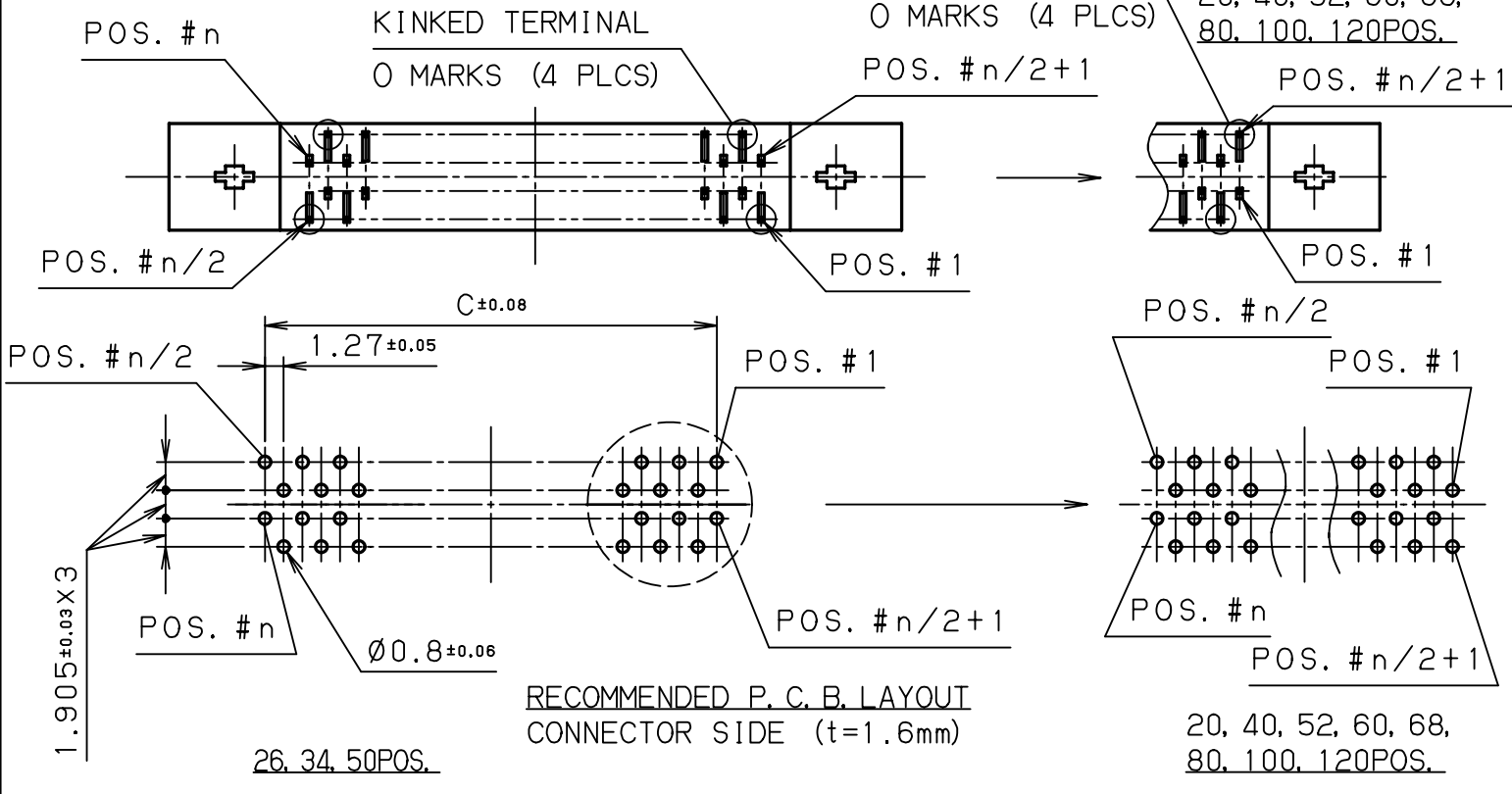
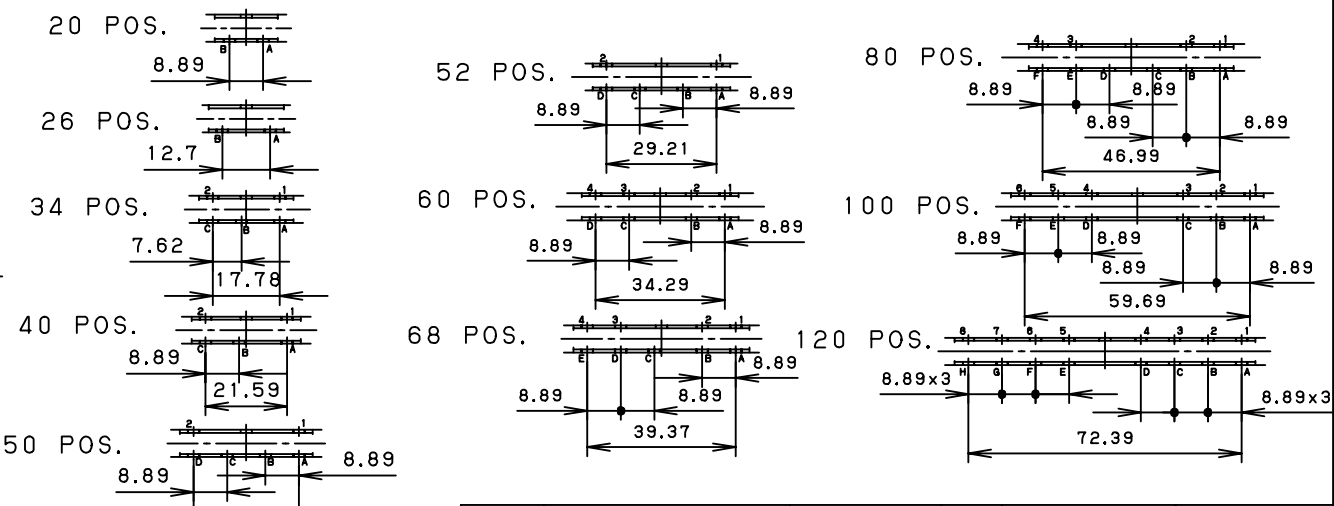
2. PART NO.
 RPS- () RM- ()
 No. OF POS.
 OPEN KEYING POSITION (SEE TABLE)

△ RPS- () RM : WITH ALL KEYING FEATURES

No. OF CONTACT	PART No. △	A	B	C	D	STANDARD OPEN KEYING POSITION
20	RPS-20RM- ()	30.4	18.77	1.27x9=11.43	16.17	A, B, AB
26	RPS-26RM- ()	34.2	22.58	1.27x12=15.24	19.98	A, B, AB
34	RPS-34RM- ()	39.3	27.66	1.27x16=20.32	25.06	1C, 2A, AC
40	RPS-40RM- ()	43.1	31.47	1.27x19=24.13	28.87	1C, 2A, AC
50	RPS-50RM- ()	49.5	37.82	1.27x24=30.48	35.22	1D, 2A, AD
52	RPS-52RM- ()	50.7	39.09	1.27x25=31.75	36.49	1D, 2A, AD
60	RPS-60RM- ()	55.8	44.17	1.27x29=36.83	41.57	1D, 4A, AD
68	RPS-68RM- ()	60.9	49.25	1.27x33=41.91	46.65	1E, 4A, AE
80	RPS-80RM- ()	68.5	56.87	1.27x39=49.53	54.27	1F, 4A, AF
100	RPS-100RM- ()	81.2	69.57	1.27x49=62.23	66.97	1F, 6A, AF
120	RPS-120RM- ()	93.9	82.27	1.27x59=74.93	79.67	1H, 8A, AH



△ KEY POS. DIM.



△ 010920	Y. O	ADD	4	SNAP PIN	STAINLESS STEEL	2		
△ 001201	M. H	CHANGE NOTE etc	3	LOCKING DEVICE	PBT RESIN (GF)	2		UL94V-0 BLACK COLOR
△ 001129	M. H	CHANGE PART NO. etc	2	INSULATOR	PBT RESIN (GF)	1		UL94V-0 BLACK COLOR
△			1	PIN CONTACT	PHOSPHOR BRONZE	n	SEE NOTE #1	

改版 LTR.	年月日 DATE	変更者 BY	変更内容 REV. DESCRIPT	番号 No.	部品名称 PART NAME	材質 MATERIAL	個数 QTY	処理 FINISH	備考 NOTE
DEC. 9 (1987)		Y. OHKI							
		Y. OHKI							
		K. YOTSUTANI							
					K. SATO				