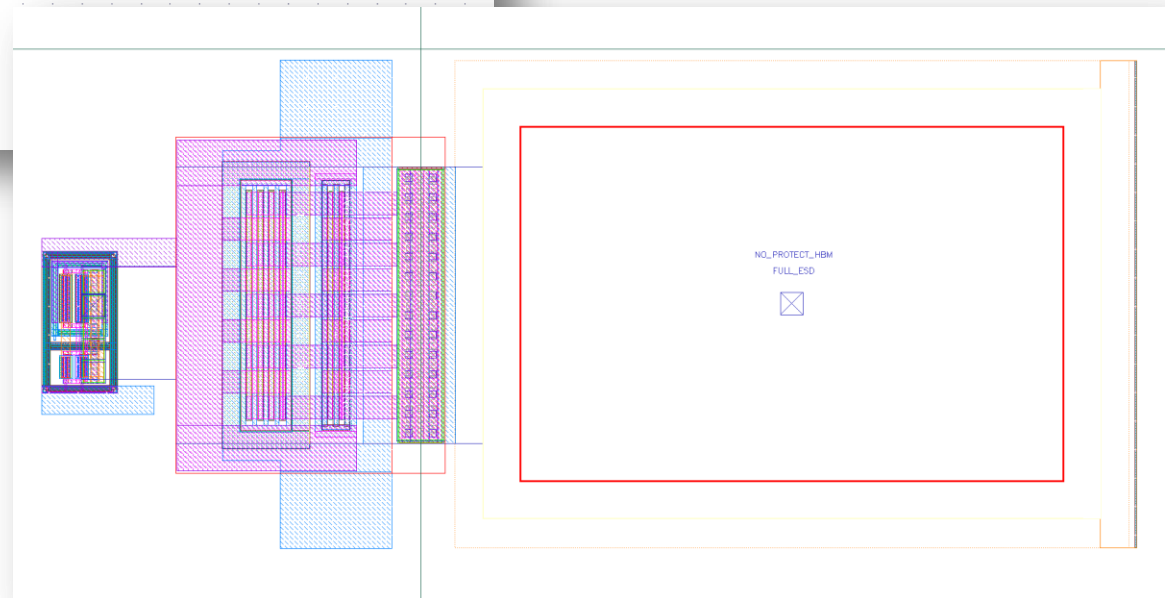
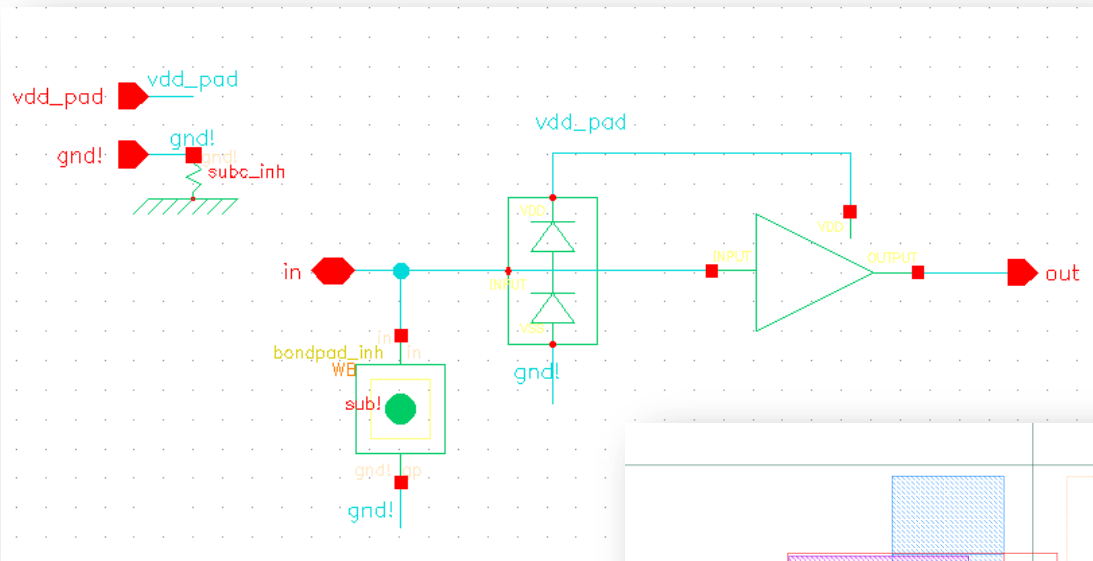


IO Pads

Hervé Grabas

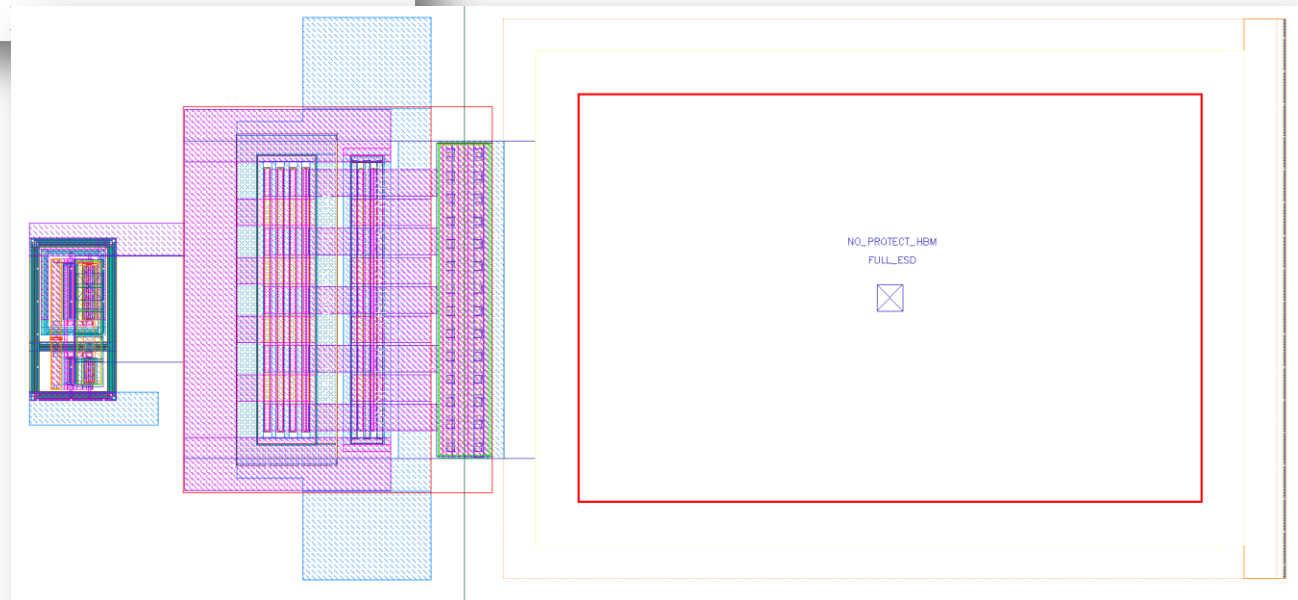
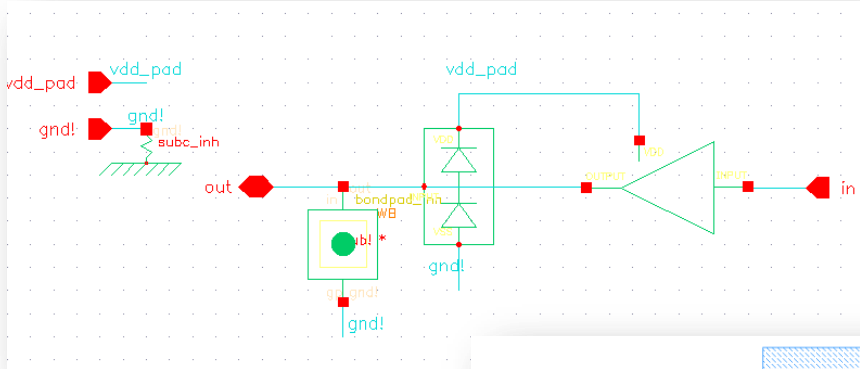


Digital Pad In





Digital Pad Out





RF Analog Pad

