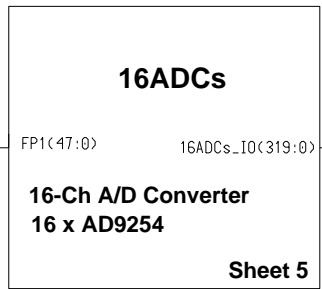
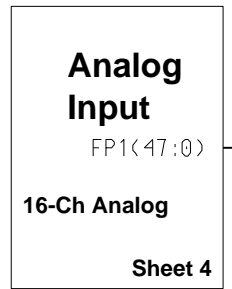


← **16-Ch Parallel LVDS**

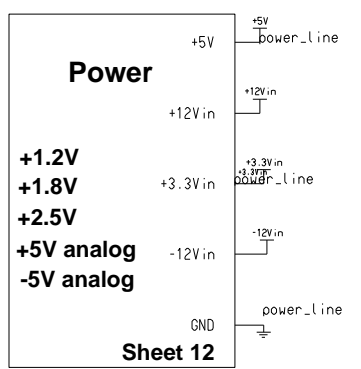
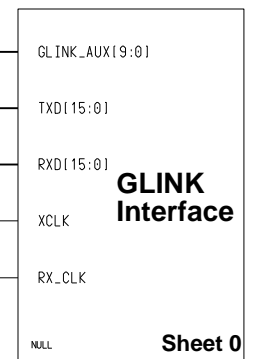
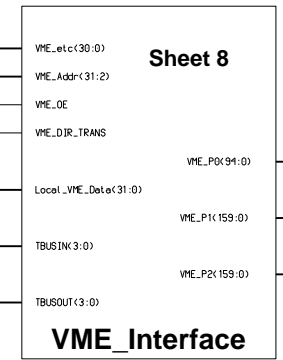
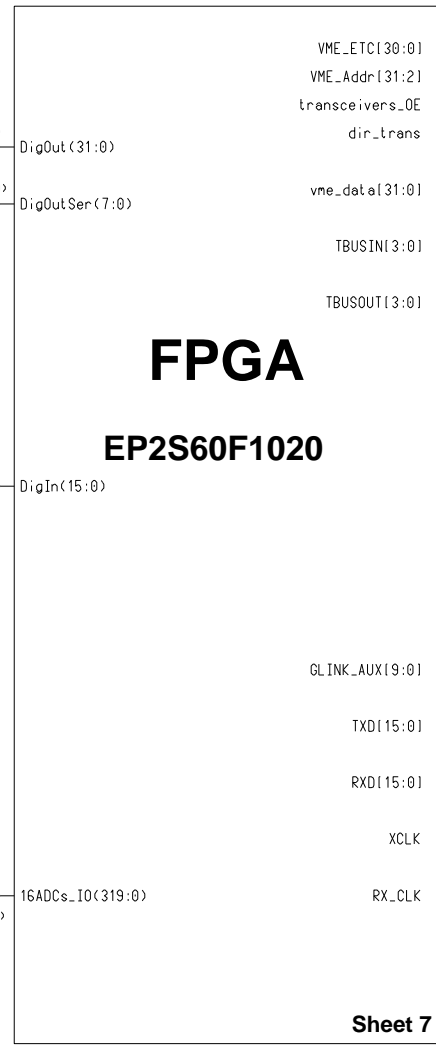
← **3-Ch Serial LVDS**



8-Ch Parallel LVDS →



16-Ch A/D
14-Bit, 125MHz →



Engineer: M. Bogdan	The University of Chicago 5640 S. Ellis Ave. Chicago, IL 60637		
Drawn by: M. Bogdan			
DATE: 3/22/07	Top Level 14BIT-ADC Board		
REV. A	DRW. B-2605	Sheet 1 of 12	