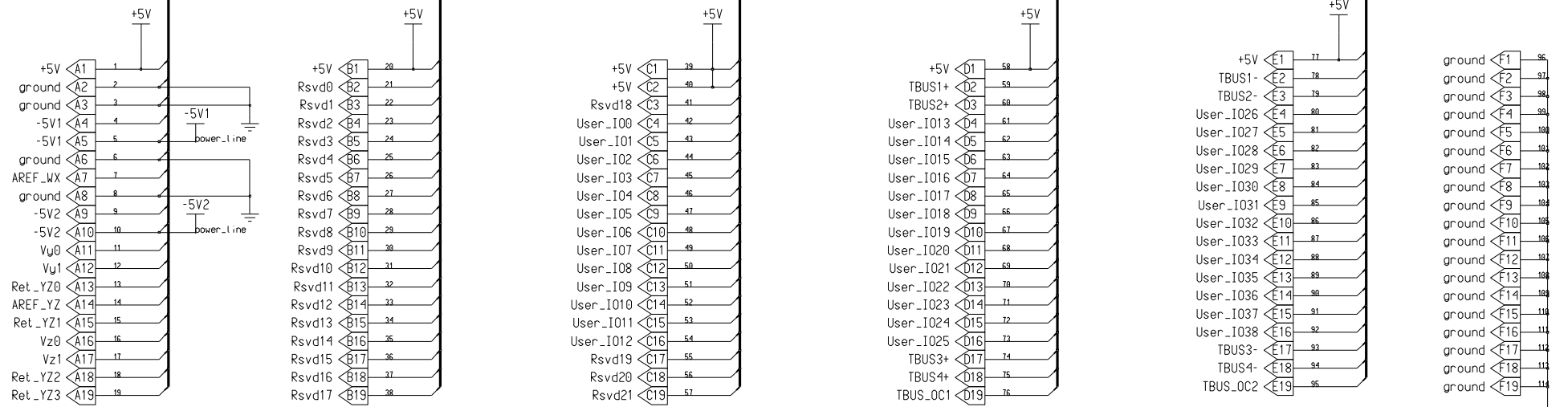
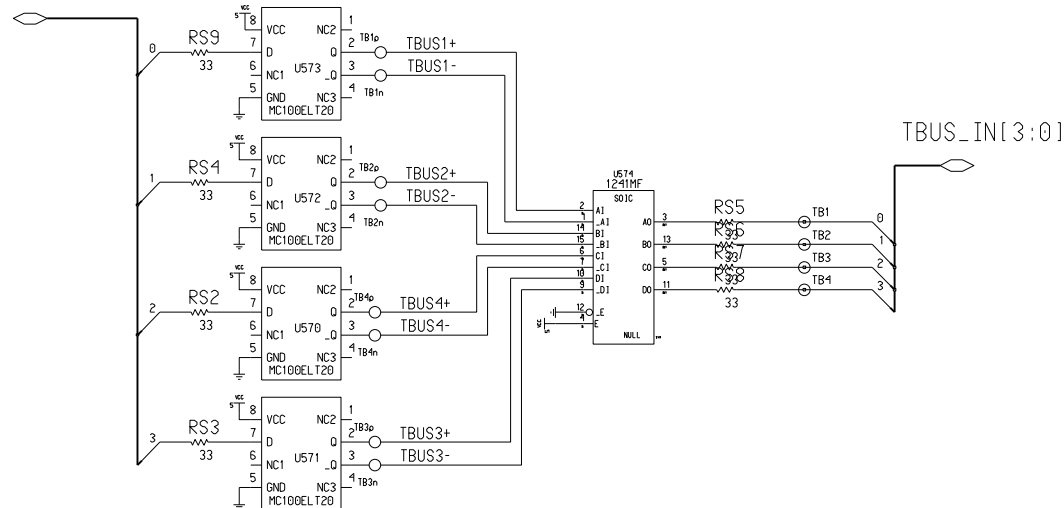


P0

VME_P0(94:0)



TBUS_OUT[3:0]



Engineer	M. Bogdan	The University of Chicago	
Drawn by	M. Bogdan	5640 S. Ellis Ave. Chicago, IL 60637	
R&D CHK		TITLE	Size B
DATE:	3/1/05	VME P0 14-BIT ADC Board	
TIME:	2:00 pm		
QA CHK		REV A	DRW. B-2605
		Sheet 10 of 12	