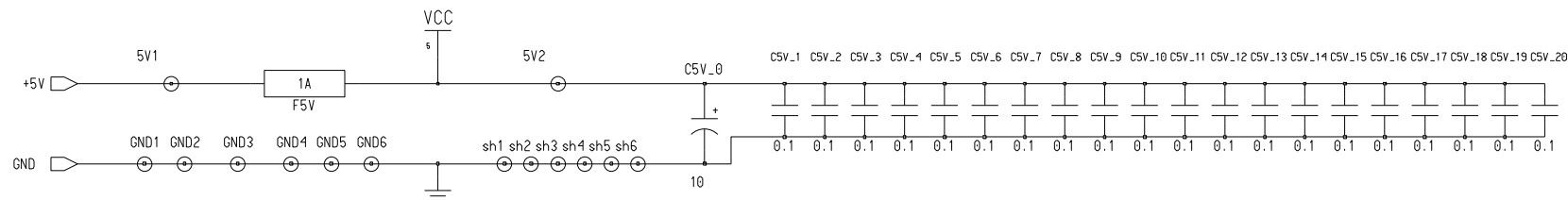


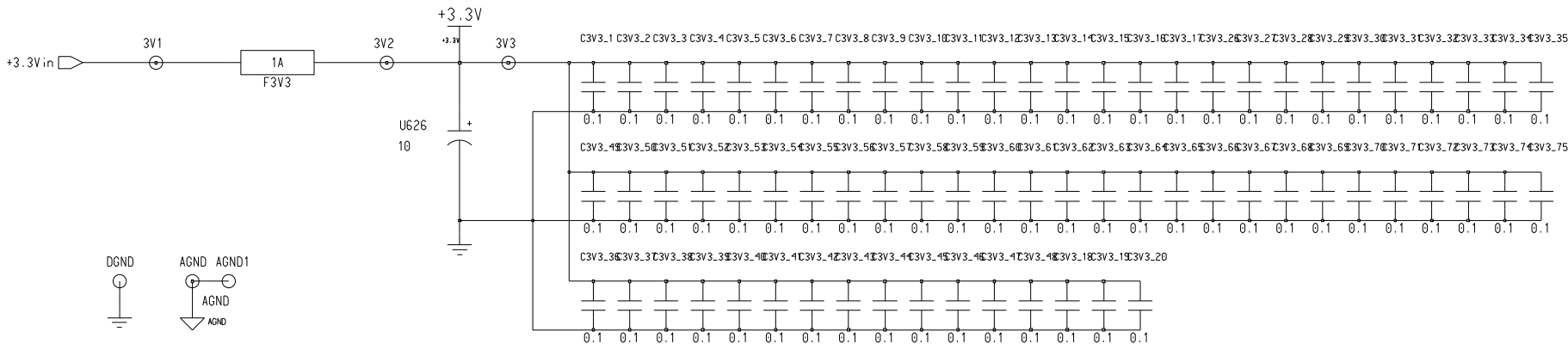
A

A



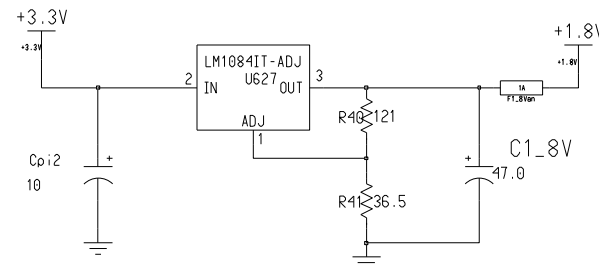
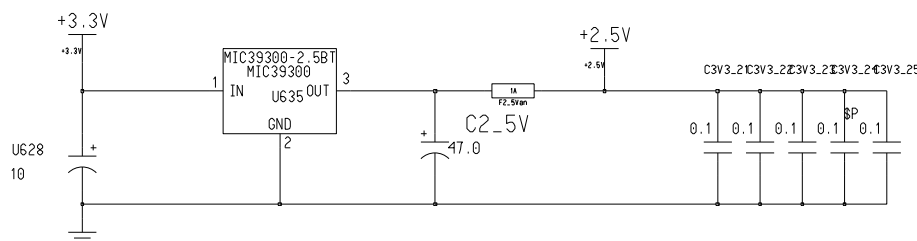
B

B



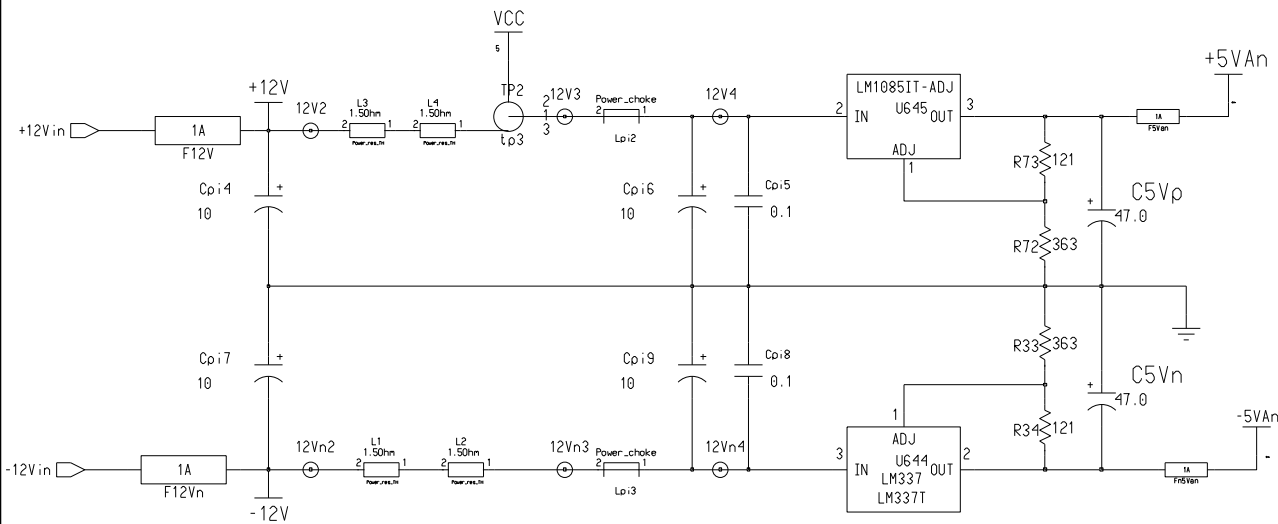
C

C



D

D



| | | | |
|----------|-----------|--|----------------|
| Engineer | M. Bogdan | The University of Chicago 5640 S. Ellis Ave. Chicago, IL 60637 | |
| Drawn by | M. Bogdan | | |
| R&D CHK | | | |
| DATE: | 9/5/08 | TITLE | Size B |
| TIME: | 2:00 pm | Power | |
| QA CHK | | 14BIT-ADC Board - Rev.B | |
| | | REV B | Sheet 12 of 12 |