

1

2

3

4

A

A

B

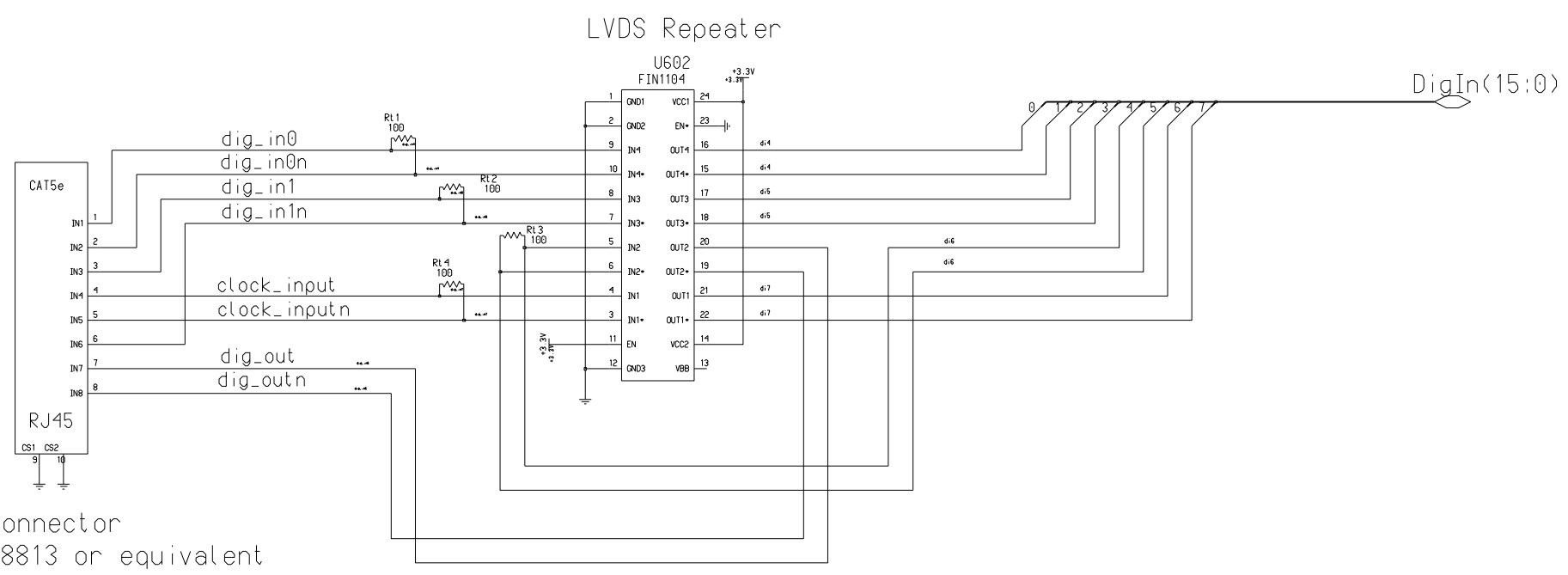
B

C

C

D

D



RJ45 Connector
AJT65B8813 or equivalent

Engineer	M. Bogdan	The University of Chicago 5640 S. Ellis Ave. Chicago, IL 60637	
Drawn by	M. Bogdan		
R&D CHK		TITLE	Size C
DATE:	9/9/09	Front Panel - digital I/O JPARC-K 14BIT-ADC Board	
TIME:	1:30 pm		
QA CHK		REV C	Sheet 3 of 12
		DRW. B-2605	

1

2

3

4