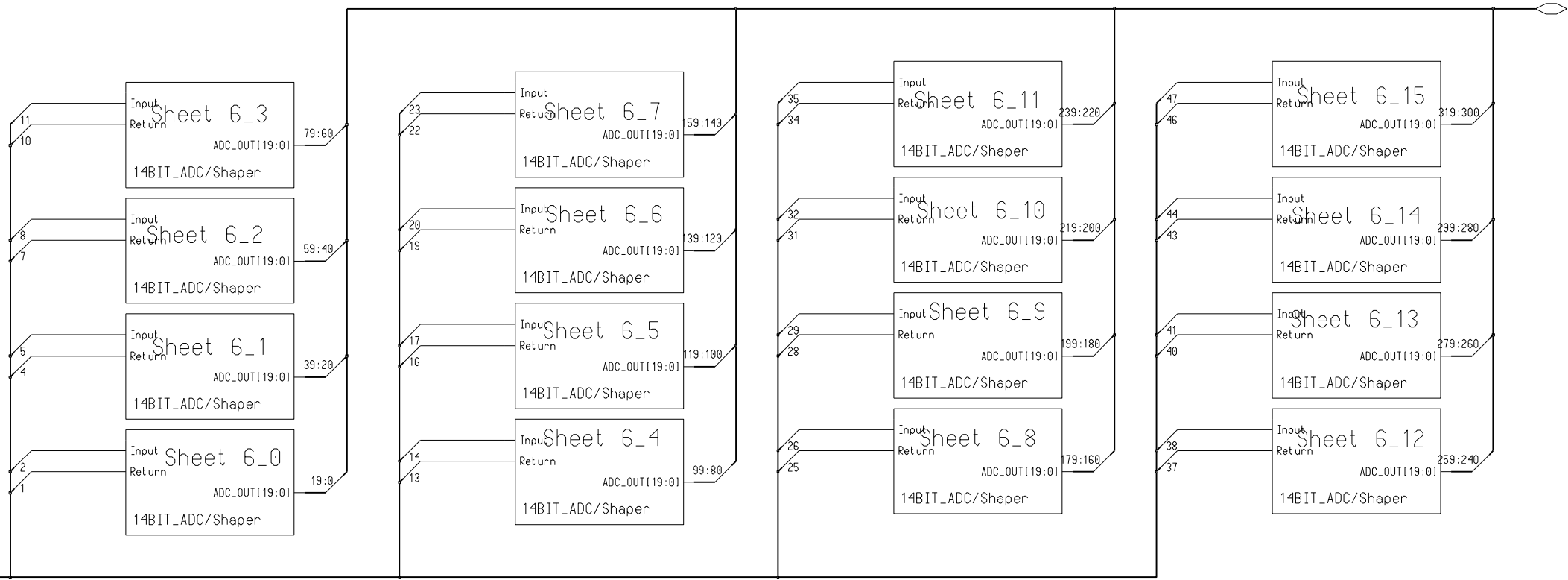


16ADCs_IO(319:0)

FP1(47:0)



Engineer	M. Bogdan	The University of Chicago 5640 S. Ellis Ave. Chicago, IL 60637	
Drawn by	M. Bogdan		
R&D CHK		TITLE	Size C
DATE:	4/23/08	ADC Channels 0 - 15 JPARC-K 14BIT-ADC Board	
TIME:	2:00 pm		
QA CHK		REV B	Sheet 5 of 12
		DRW. B-2606	