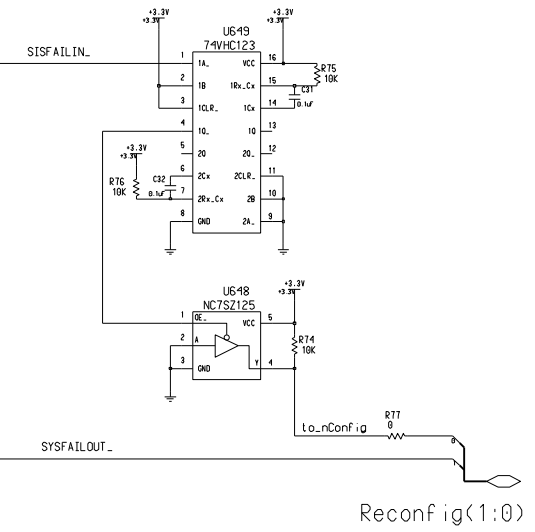
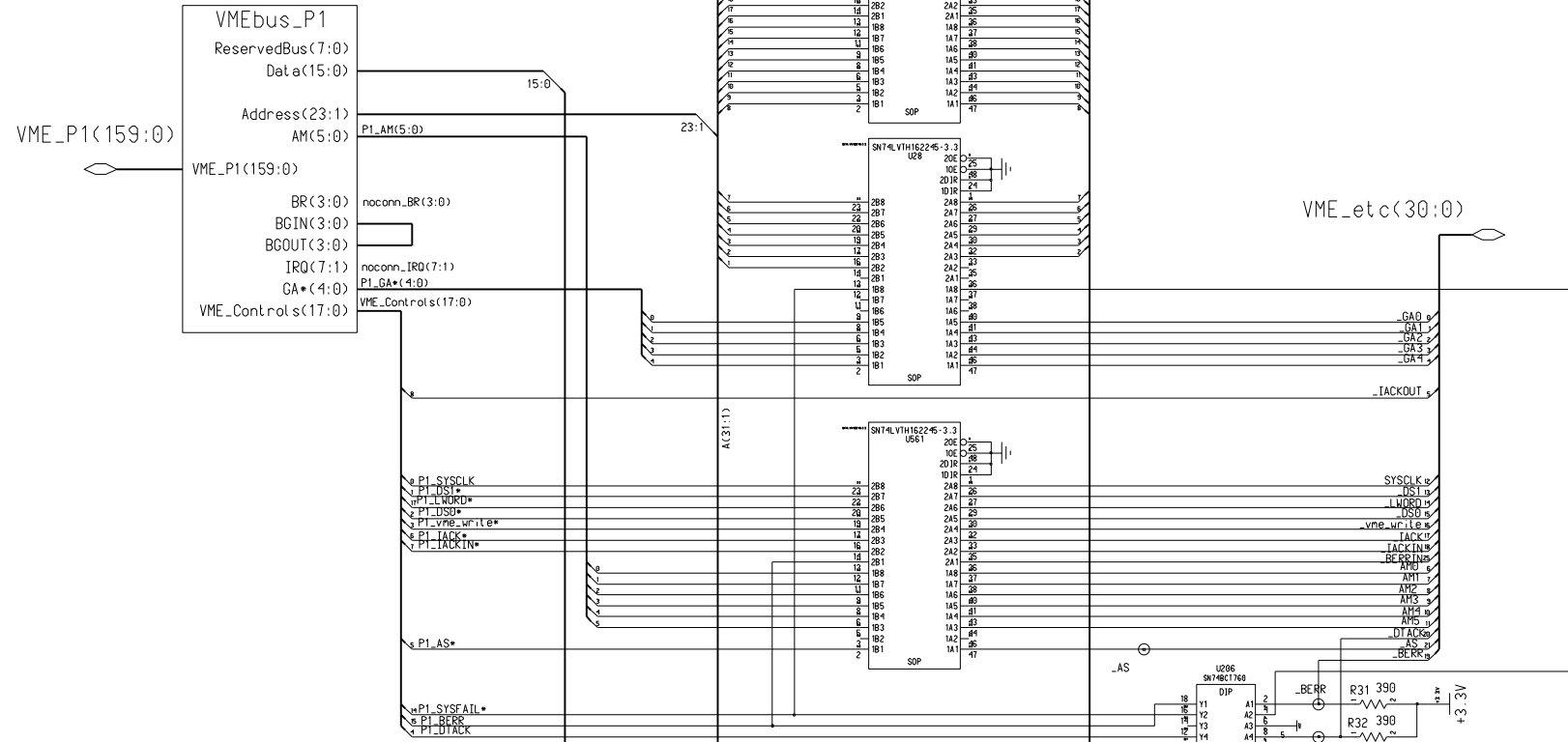
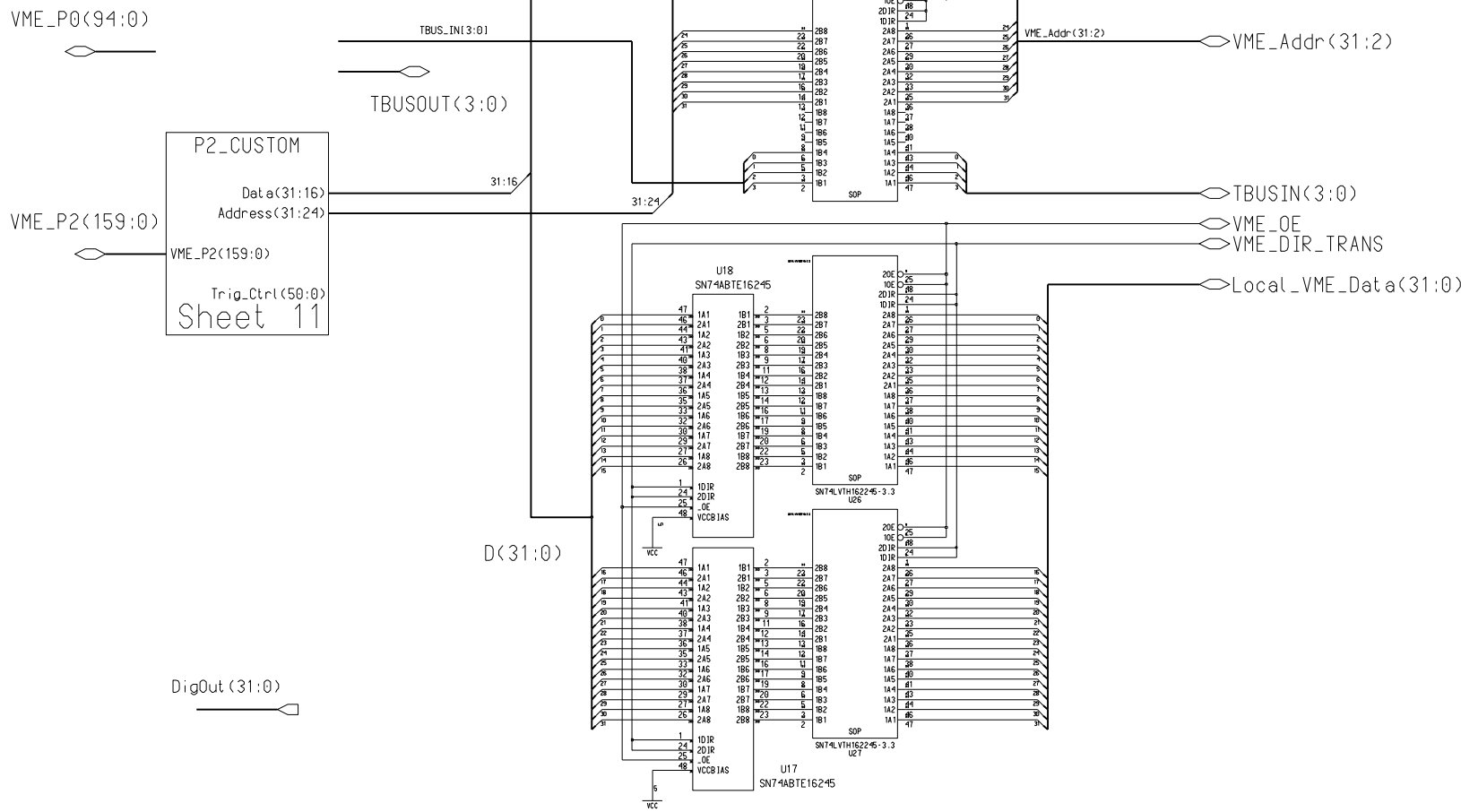


Sheet 9



Sheet 10



Engineer	M. Bogdan	The University of Chicago	
Drawn by	M. Bogdan	5640 S. Ellis Ave. Chicago, IL 60637	
R&D CHK		TITLE	Size C
DATE:	9/9/09	VME Interface QUIET_ADC	
TIME:	2:00 pm		
QA CHK		REV C	DRW. B-2606
		Sheet 8 of 12	