

1

2

3

4

A

A

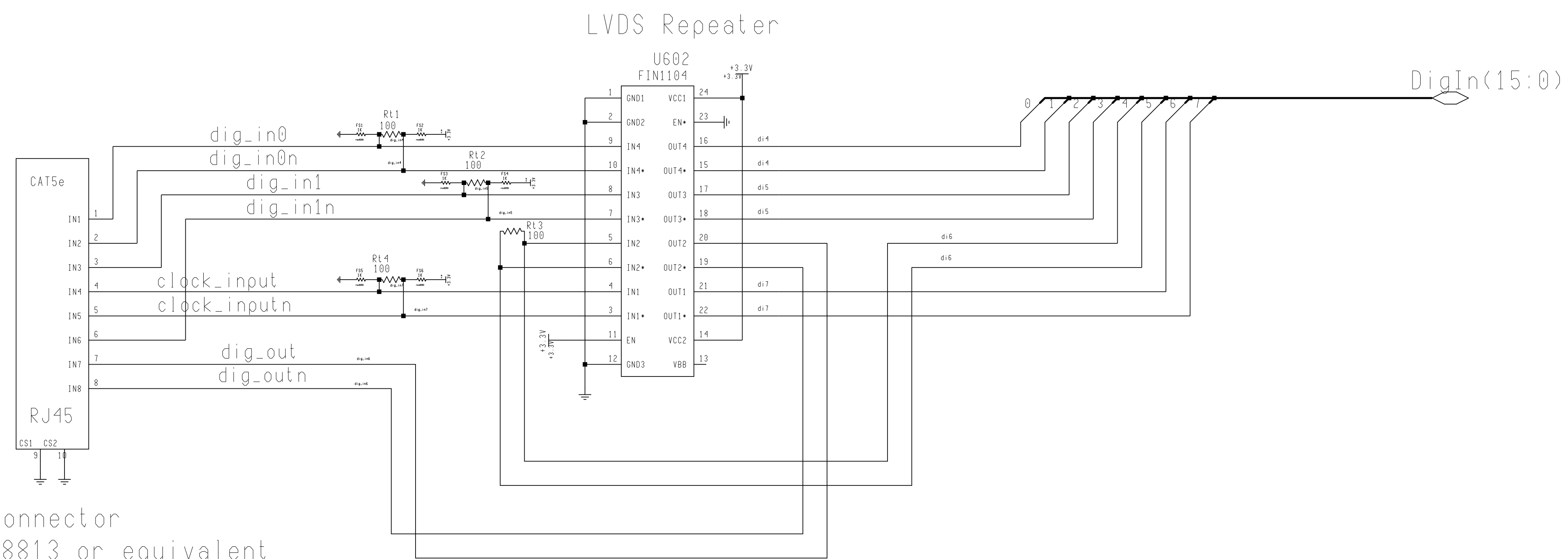
B

B

C

C

D



RJ45 Connector
AJT65B8813 or equivalent

Engineer	M. Bogdan	The University of Chicago 5640 S. Ellis Ave. Chicago, IL 60637	
Drawn by	M. Bogdan		
R&D CHK		TITLE	Size
DATE:	1/21/15	Front Panel - dig	C
TIME:	1:30 pm	JPARC-K 14BIT-ADC Board	
QA CHK		REV LEMO	DRW. 2605 Sheet 3 of 12

1

2

3

4