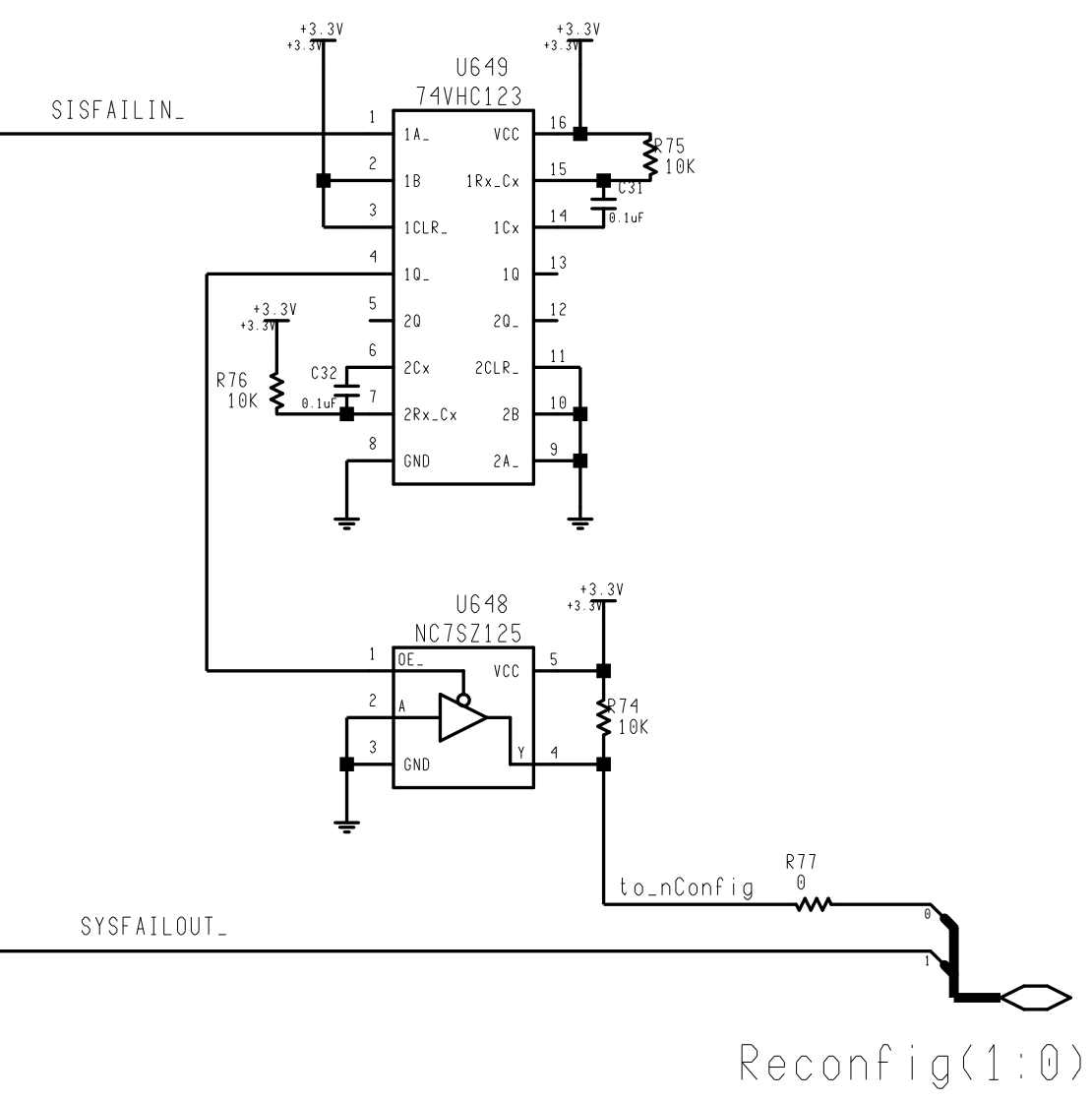
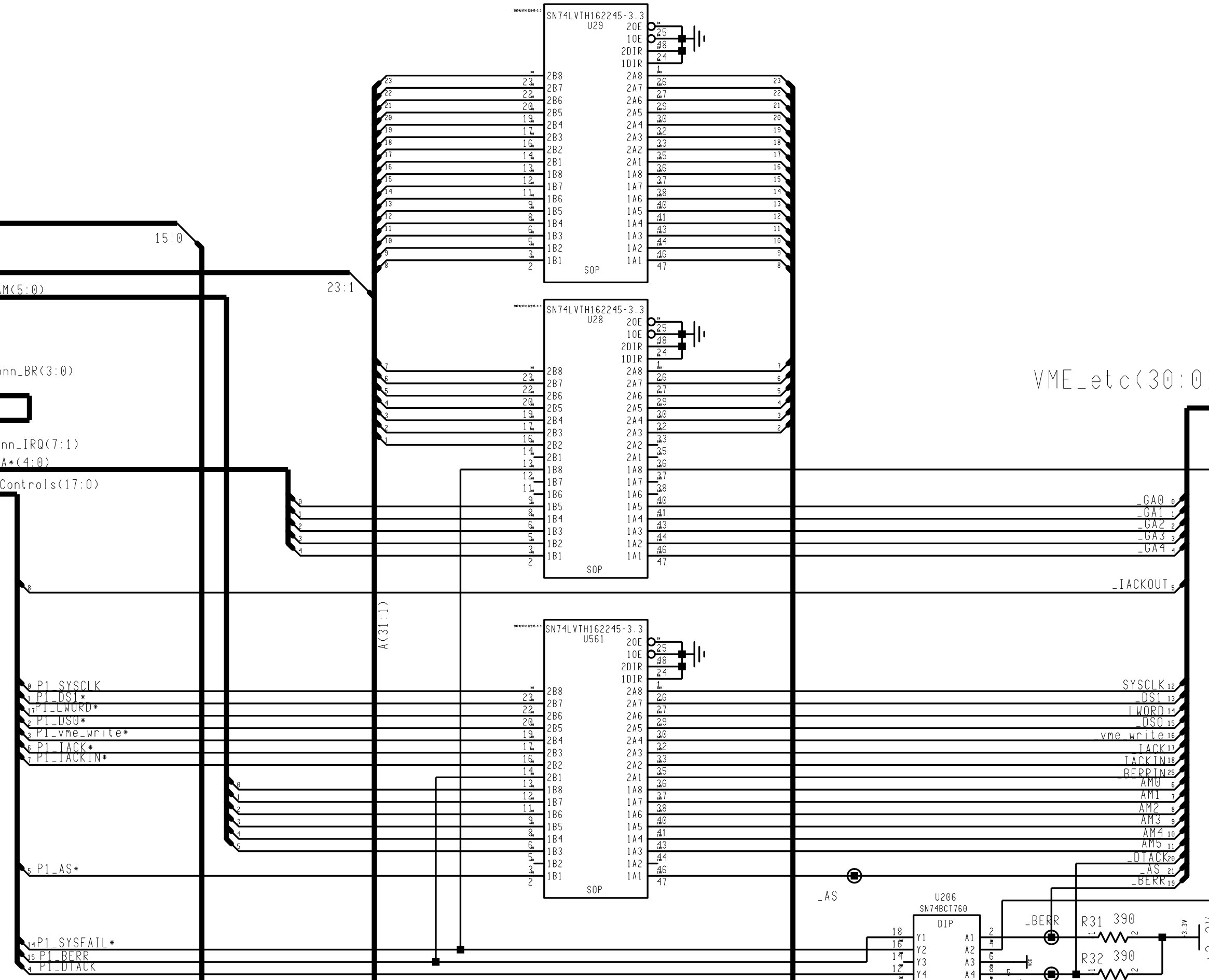
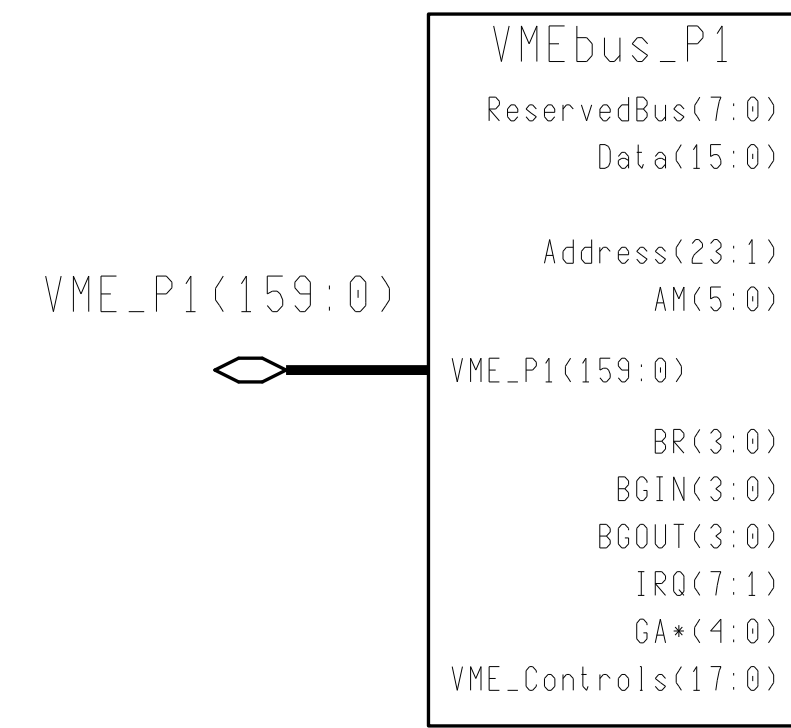
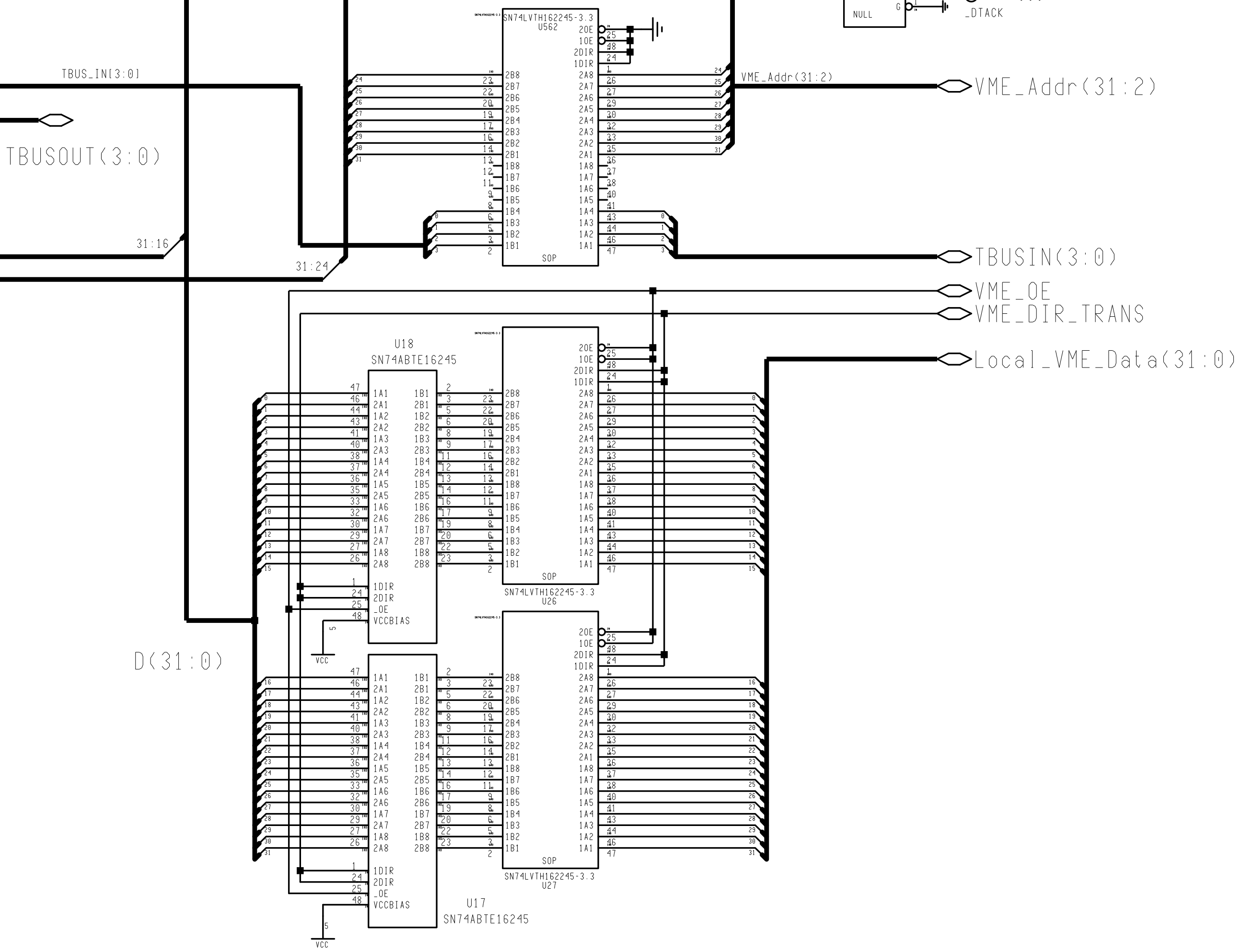
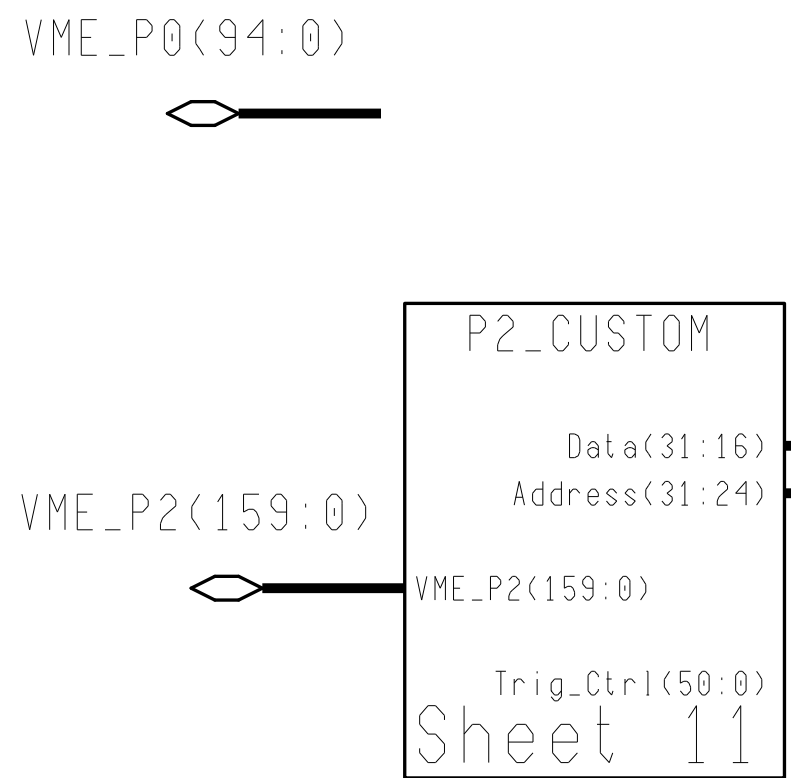


Sheet 9



Sheet 10



DigOut(31:0)

Engineer	M. Bogdan	The University of Chicago	
Drawn by	M. Bogdan	5640 S. Ellis Ave. Chicago, IL 60637	
R&D CHK		TITLE	Size C
DATE:	1/21/15	VME Interface 14-Bit ADC	
TIME:	2:00 pm		
QA CHK		REV	DRW. 2605
		Sheet 8 of 12	