

FPGA(11:0) **To FPGA**

- 0 microcontroller\_0
- 1 microcontroller\_1
- 2 microcontroller\_2
- 3 microcontroller\_3
- 4 microcontroller\_4
- 5 microcontroller\_5
- 6 microcontroller\_6
- 7 microcontroller\_7
- 8 microcontroller\_8
- 9 microcontroller\_9
- 10 microcontroller\_10
- 11 microcontroller\_11

- 1 VCC
- 2 GND
- 3 VIN
- 4 uC\_3 VB
- 5 uC\_4 nR
- 6 MOSI mosi\_1
- 7 MISO miso\_1
- 8 SCK sclk\_1
- 9 CS pin\_8
- 10 microcontroller\_0 M\_1 tx\_1
- 11 microcontroller\_1 M\_2 rx\_1
- 12 microcontroller\_2 M\_3 mosi\_2
- 13 microcontroller\_3 M\_5 miso\_2
- 14 microcontroller\_4 M\_7 tx\_2
- 15 microcontroller\_5 M\_9 rx\_2
- 16 uC\_15 A\_1
- 17 uC\_16 A\_2
- 18 uC\_17 A\_3
- 19 uC\_18 A\_4
- 20 uC\_19 A\_5
- TEMP\_SENS uC\_20 A\_6

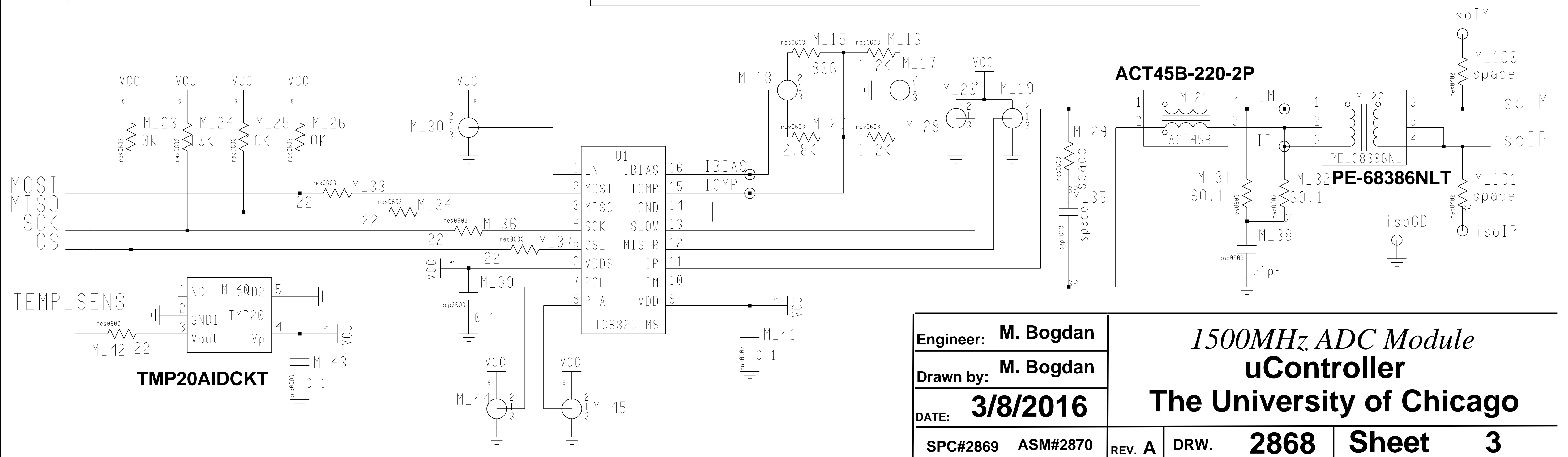
uController  
mbedLPC1768

- 40 VOUT puC\_40
- 39 VU puC\_39
- 38 IFp puC\_38
- 37 IFn puC\_37
- 36 RDn Ethernet\_RXn
- 35 RDp Ethernet\_RXp
- 34 TDn Ethernet\_TXn
- 33 TDp Ethernet\_TXp
- 32 Dn puC\_32
- 31 Dp puC\_31
- 30 rd M\_4 microcontroller\_6
- 29 td M\_6 microcontroller\_7
- 28 tx\_3 M\_8 microcontroller\_8
- 27 rx\_3 M\_10 microcontroller\_9
- 26 PO\_1 M\_11 microcontroller\_10
- 25 PO\_2 M\_12 microcontroller\_11
- 24 puC\_24
- 23 puC\_23
- 22 puC\_22
- 21 M\_14 puC\_21

**To 2 x RJ45**

- 0 HS isoIM
- 1 HS isoIP
- 2 Ethernet\_TXp
- 3 Ethernet\_TXn
- 4 Ethernet\_RXp
- 5
- 6 Ethernet\_RXn
- 7
- 8
- 9

TEMP\_SENS



Engineer: **M. Bogdan**  
 Drawn by: **M. Bogdan**  
 DATE: **3/8/2016**  
 SPC#2869 ASM#2870

**1500MHz ADC Module**  
**uController**  
**The University of Chicago**  
 REV. A | DRW. **2868** | Sheet **3**