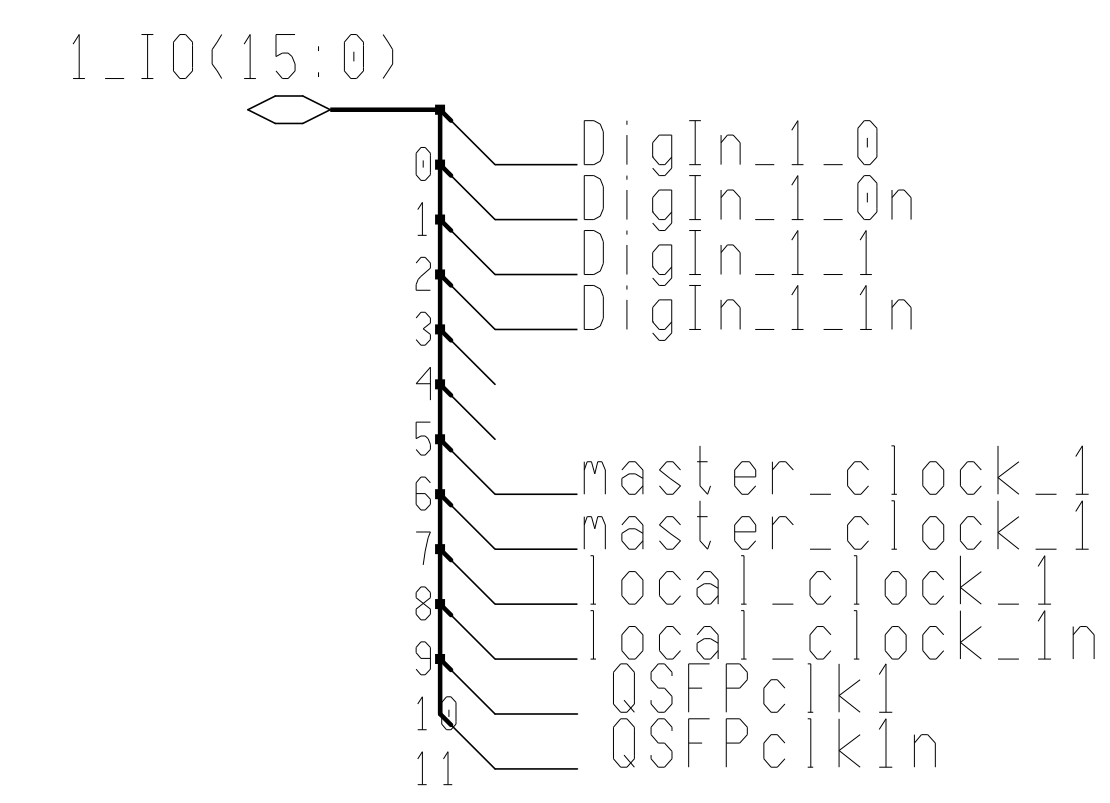
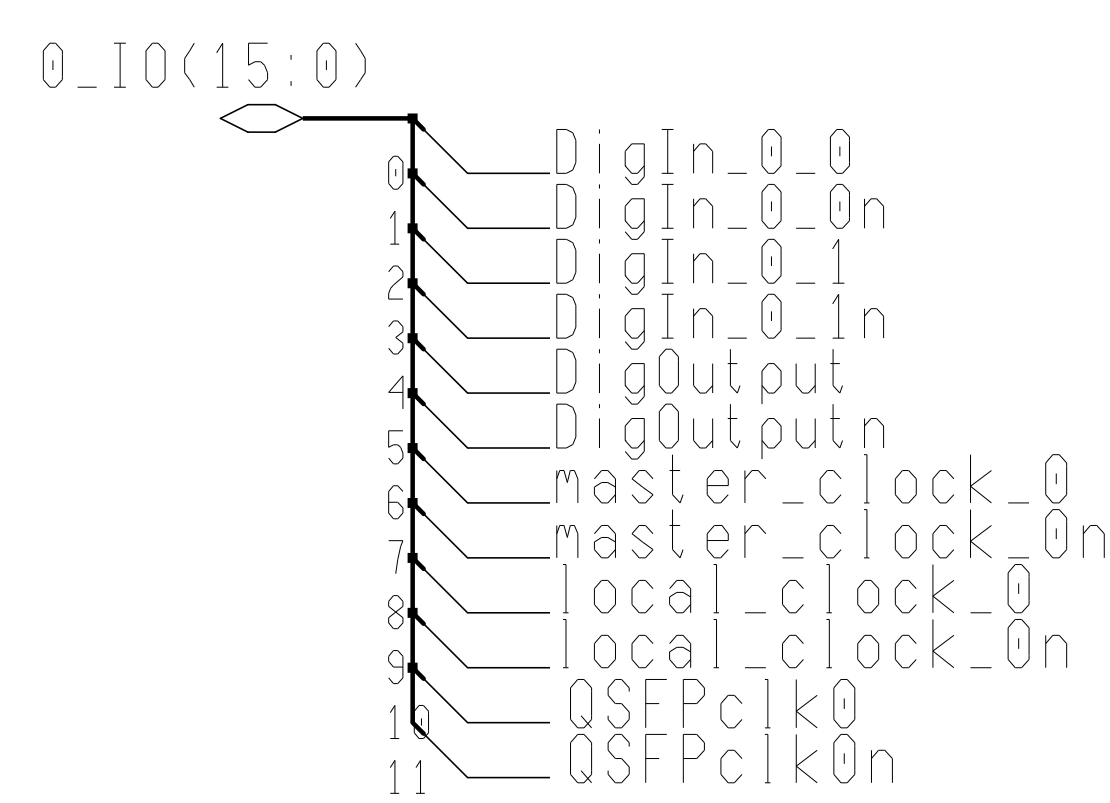
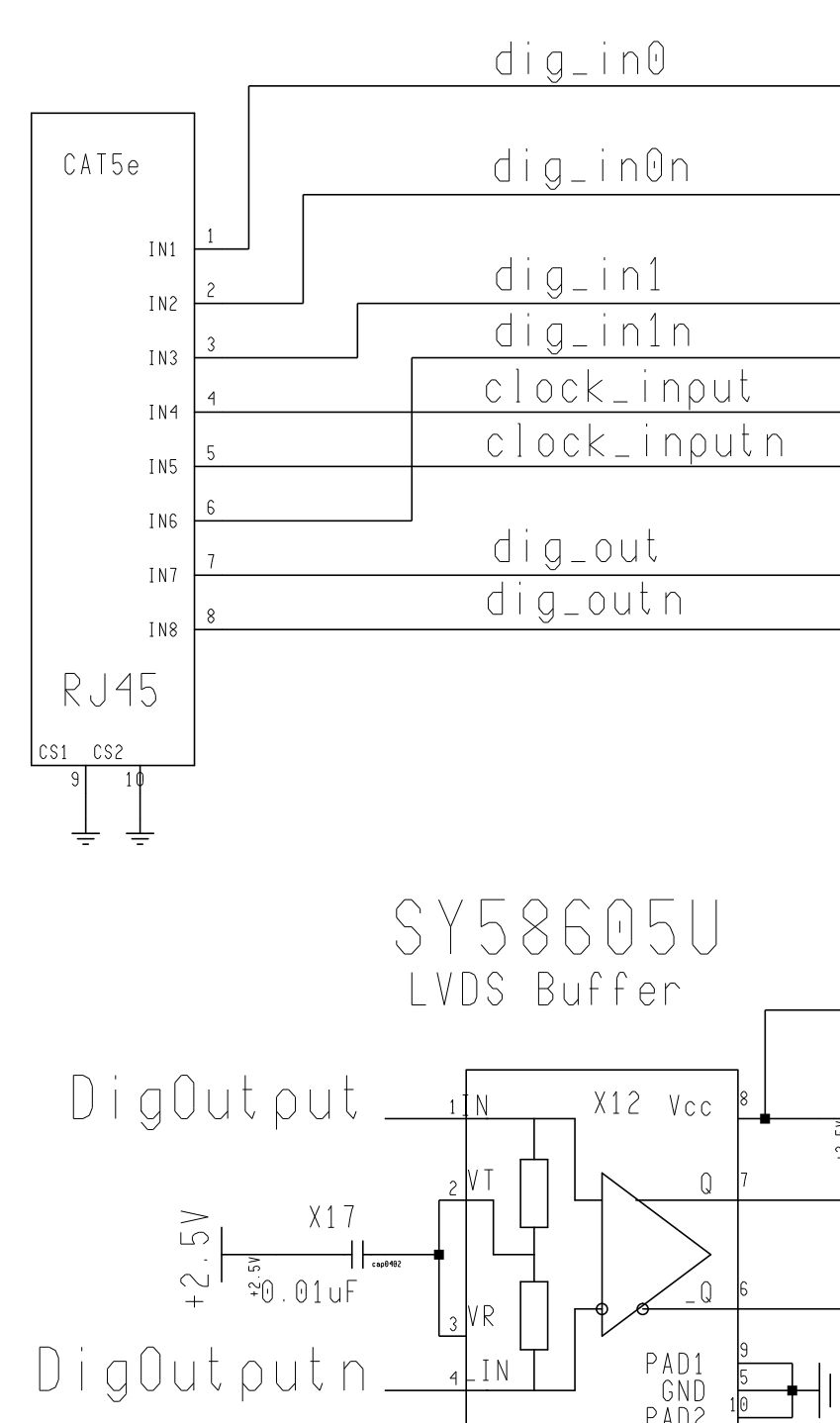
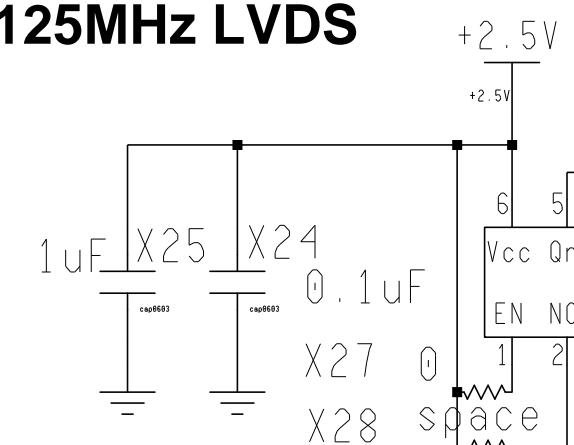


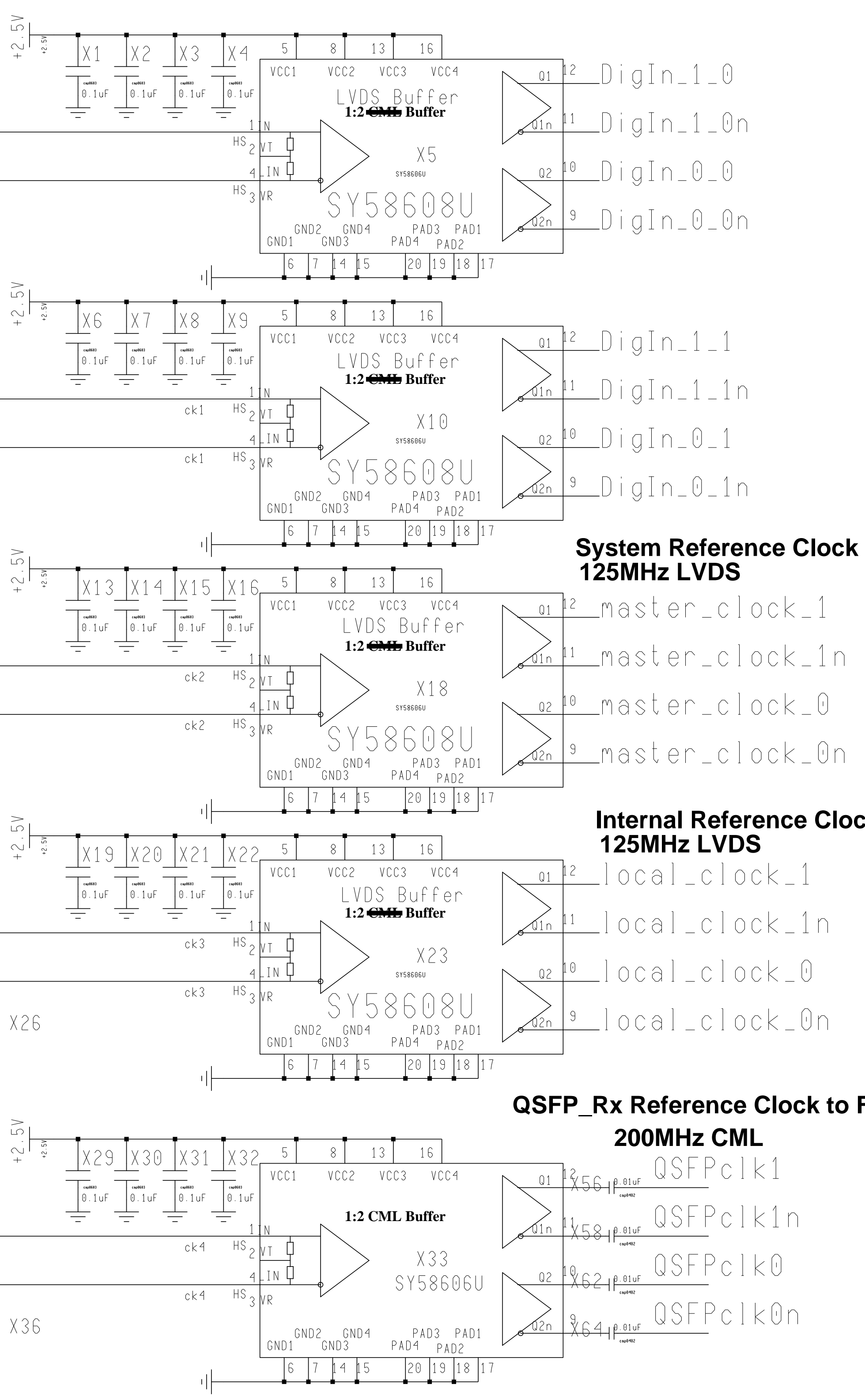
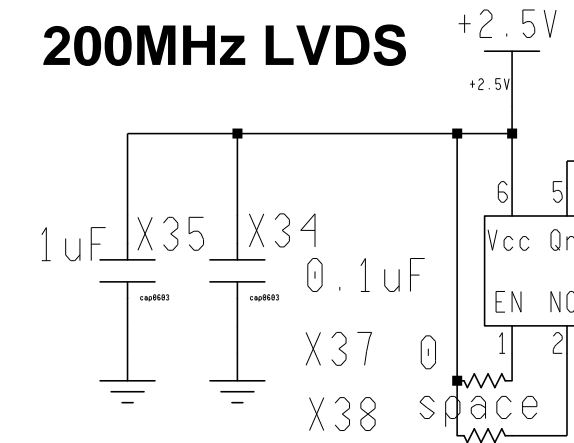
RJ45 Connector  
AJT65B8813 or equivalent



**531FC125M000DG**  
125MHz LVDS



**531FC200M000DG**  
200MHz LVDS



**System Reference Clock**  
125MHz LVDS

**Internal Reference Clock**  
125MHz LVDS

**QSFP\_Rx Reference Clock to FPGAs**  
200MHz CML

Engineer: **M. Bogdan**  
Drawn by: **M. Bogdan**  
DATE: **10/9/2014**

**The University of Chicago**  
**Digital Input and Clocks**  
*500MHz 16Ch ADC Module*

REV. A | DRW. **2835** | Sheet **2**