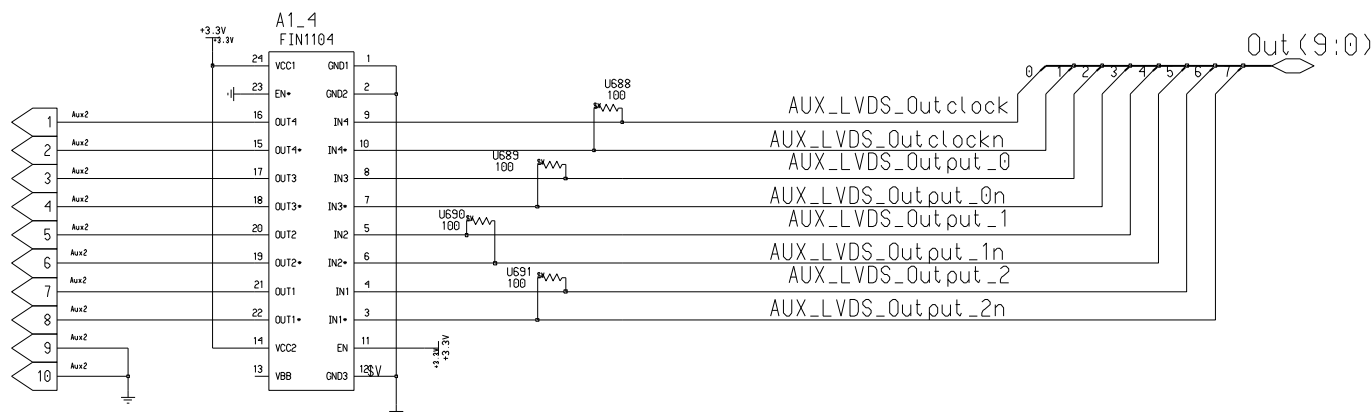
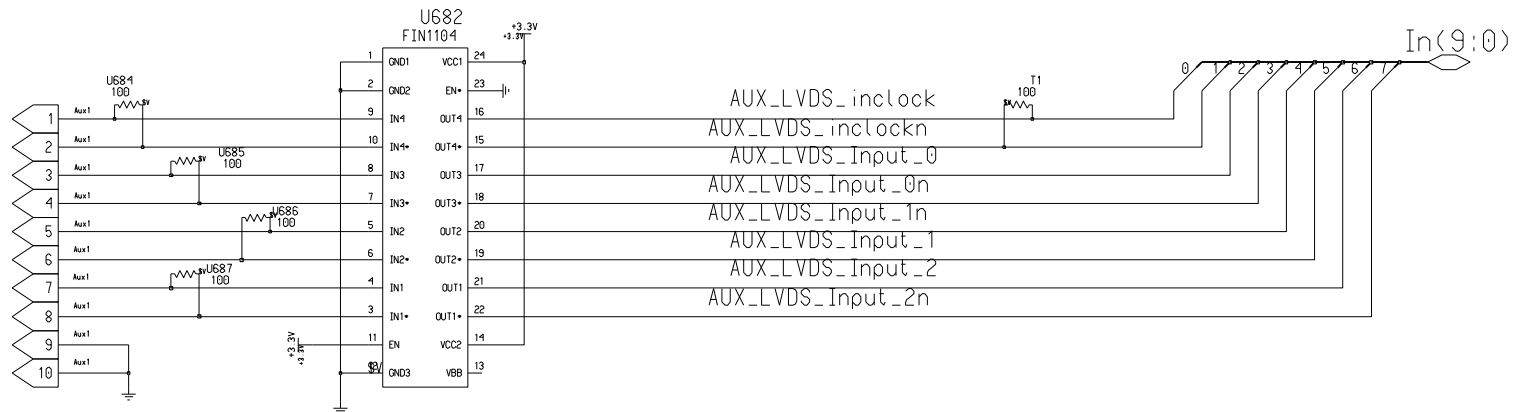


LVDS Repeater



Engineer	M. Bogdan	The University of Chicago 5640 S. Ellis Ave. Chicago, IL 60637	
Drawn by	M. Bogdan		
R&D CHK		TITLE	Size C
DATE:	11/17/09	Front Panel - digital I/O 500MHz ADC Board	
TIME:	1:30 pm		
QA CHK		REV A	DRW. 2664 Sheet 4 of 12