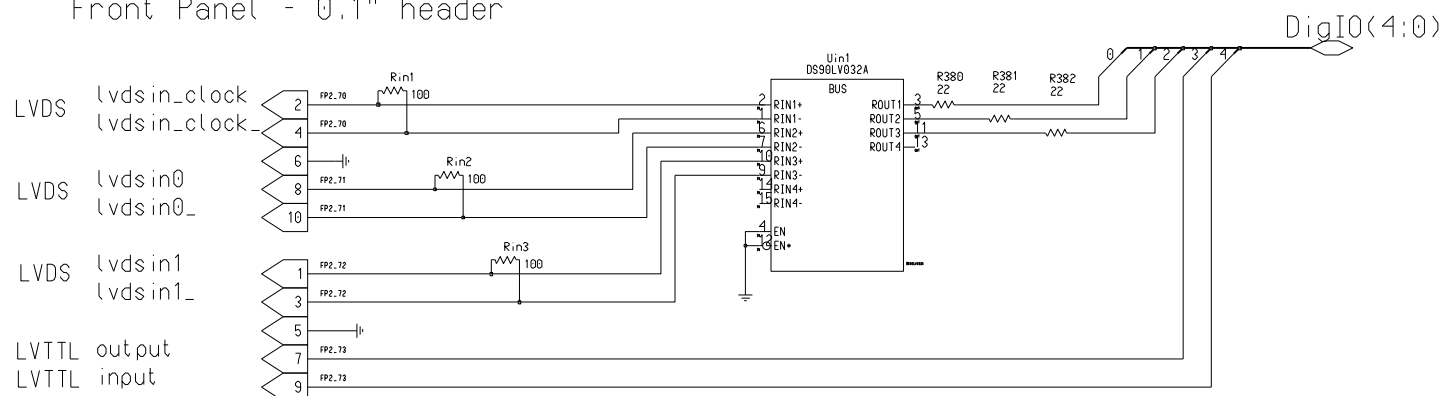


Front Panel - 0.1" header



Engineer	M. Bogdan	The University of Chicago 5640 S. Ellis Ave. Chicago, IL 60637		
Drawn by	M. Bogdan			
R&D CHK		TITLE	Size C	
DATE:	4/21/09	Digital I/O		
TIME:	1:30 pm	1GSPS Board		
QA CHK		REV A	DRW. 2644	Sheet 7