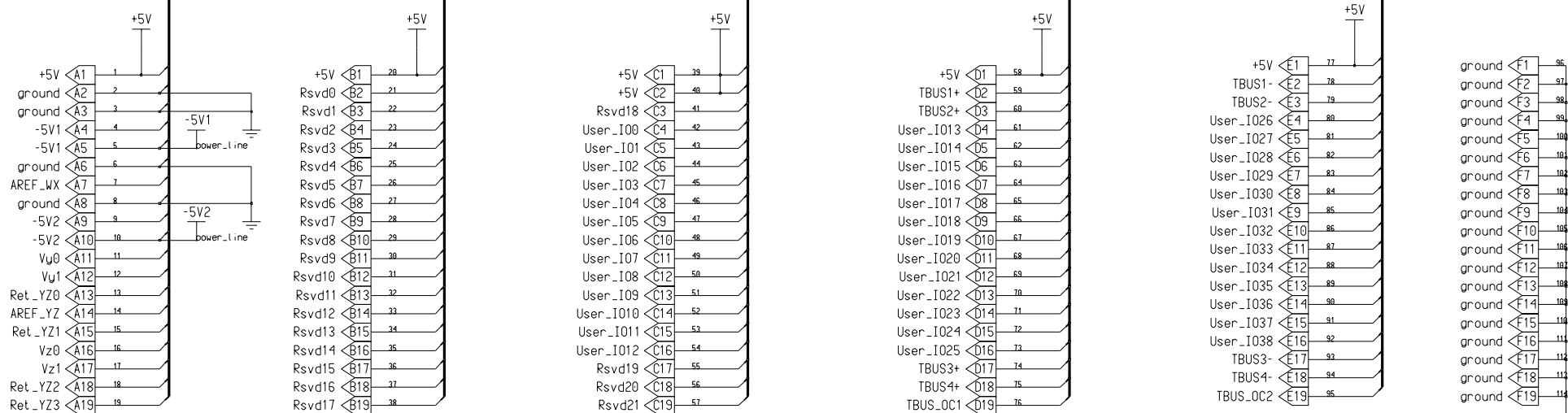
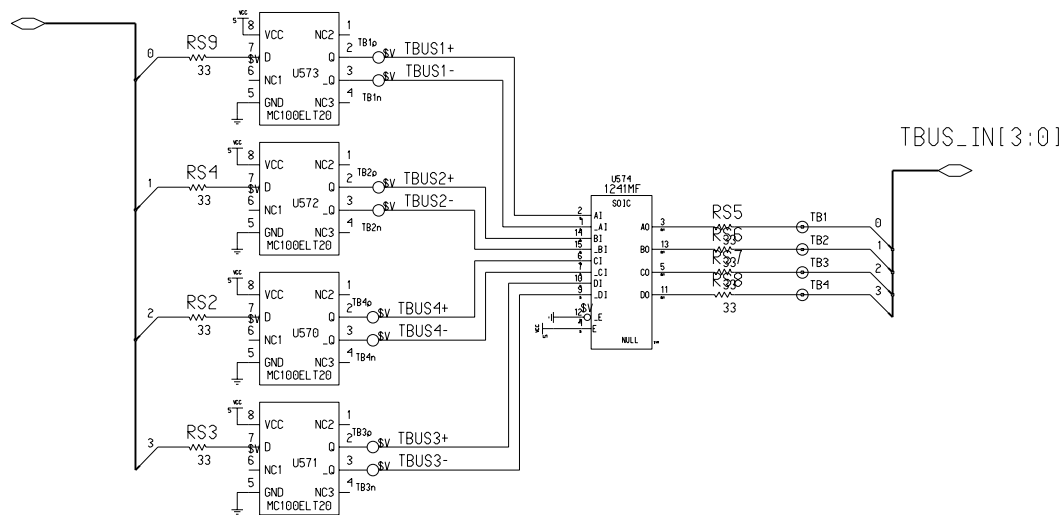


P0

VME_P0(94:0)



TBUS_OUT[3:0]



Engineer	M. Bogdan	The University of Chicago	
Drawn by	M. Bogdan	5640 S. Ellis Ave. Chicago, IL 60637	
R&D CHK		TITLE	Size B
DATE:	3/1/05	VME P0 QUIET_ADC	
TIME:	2:00 pm		
QA CHK		REV A	DRW. B-2560 Sheet 10 of 12