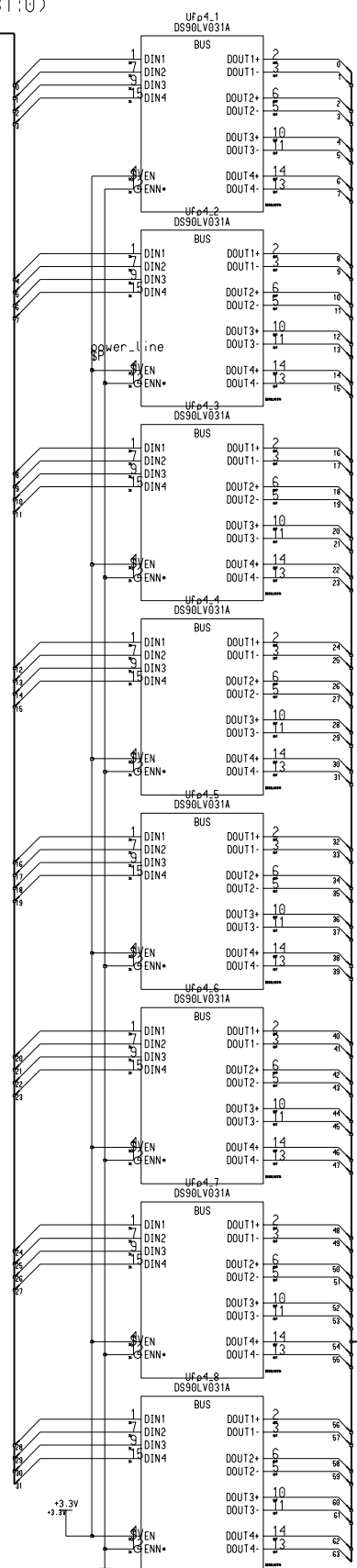
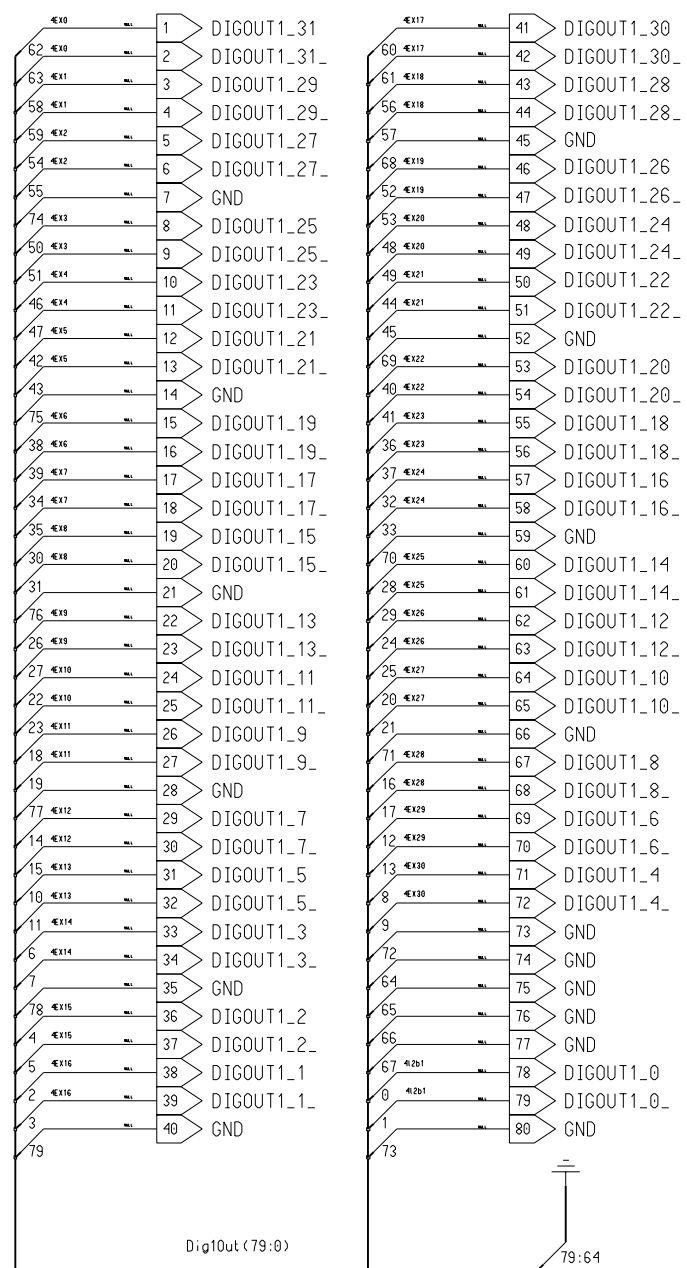


DigOut1(31:0)



FP4: LVDS output

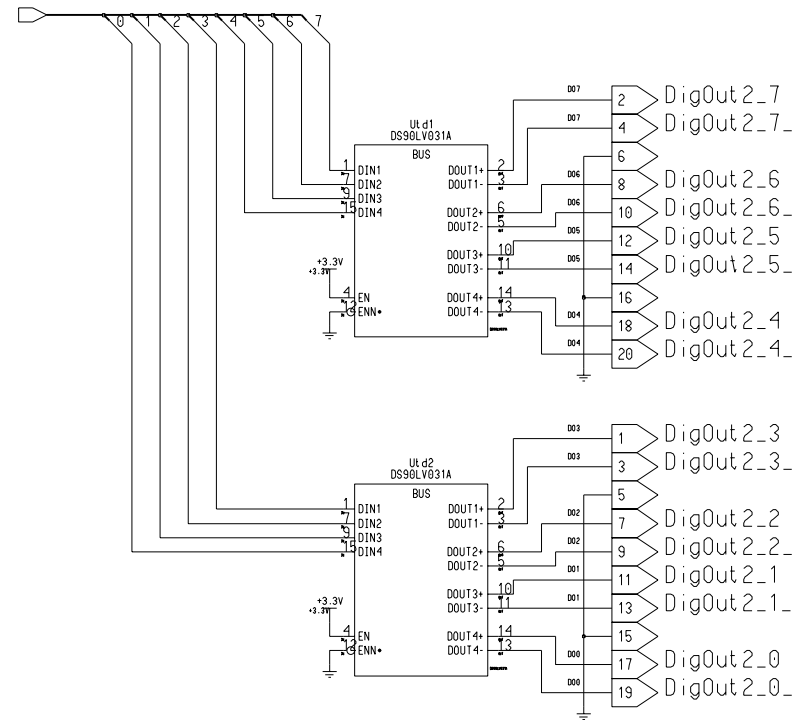
Note: FP4 is a 80-pin Honda connector



FP3 LVDS Output

Note: FP3 is a 20-pin connector

DigOut2(7:0)



Engineer	M. Bogdan	The University of Chicago	
Drawn by	M. Bogdan	5640 S. Ellis Ave. Chicago, IL 60637	
R&D CHK		TITLE	Size C
DATE:	2/27/05	Front Panel - digital output QUIET_ADC	
TIME:	1:30 pm	REV A	Sheet 2 of 12
QA CHK		DRW. B-2560	