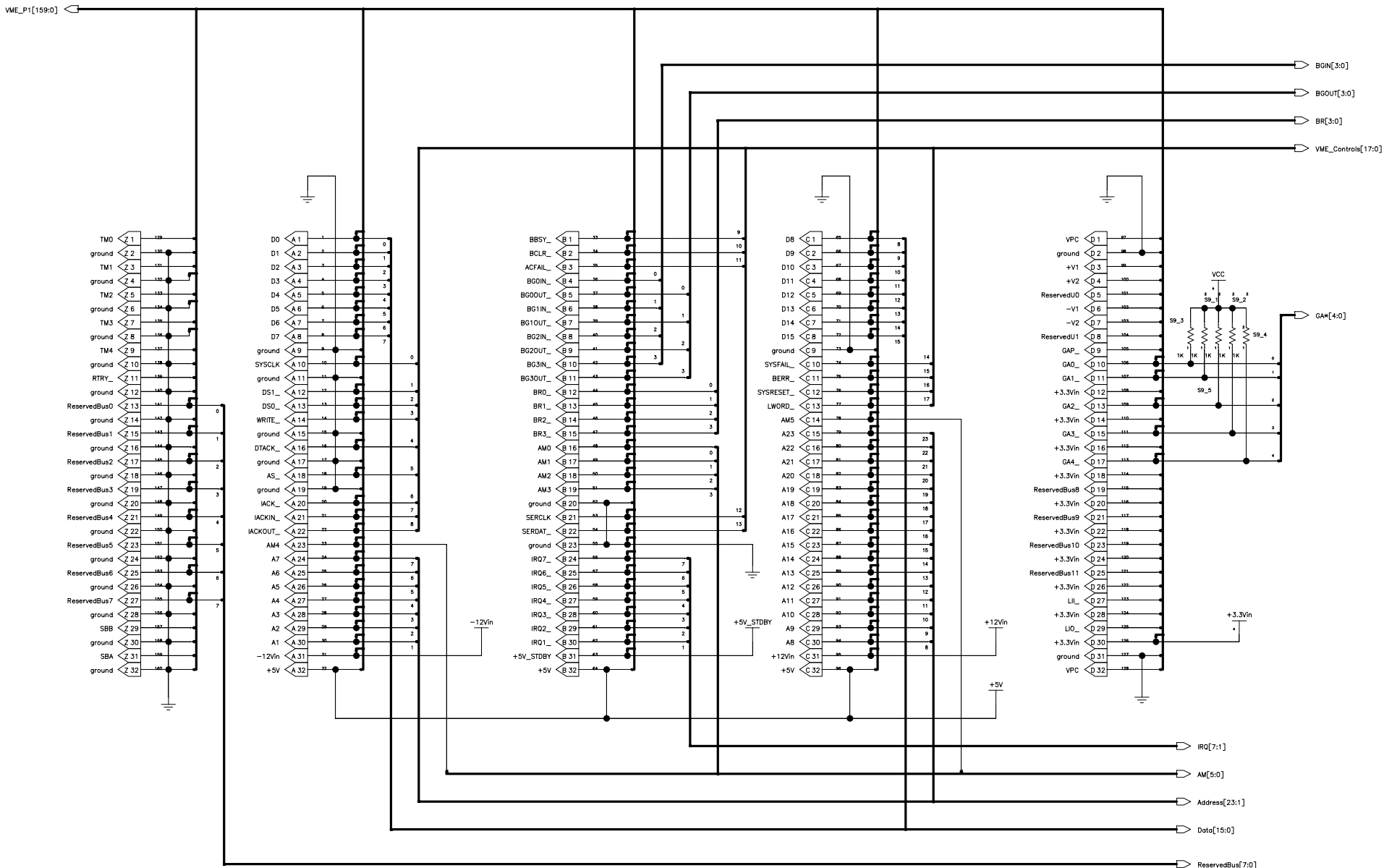
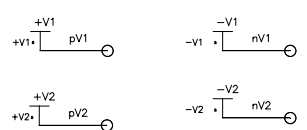


P1



VME User Defined +V1, -V1, +V2, -V2



$+V1 = +15V / 1A \text{ max}$
 $-V1 = -15V / 1A \text{ max}$
 $-V2 = -30V 20mA \text{ max}$

Engineer: M. Bogdan	The University of Chicago	
Drawn by: M. Bogdan	Acquisition and Control Module	
DATE: 11/21/22	DAMIC VME-P1	
SPC#3019	REV. A	DRW. 3018
ASM#3020		Sheet 9