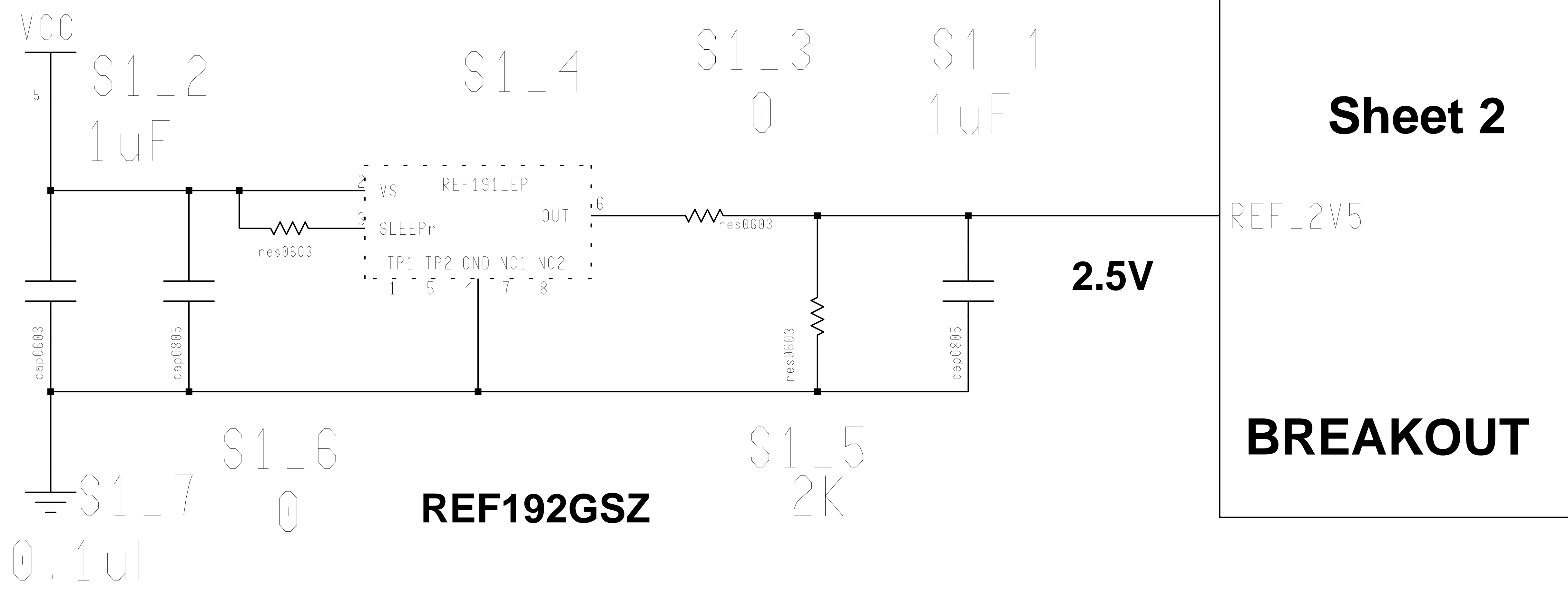
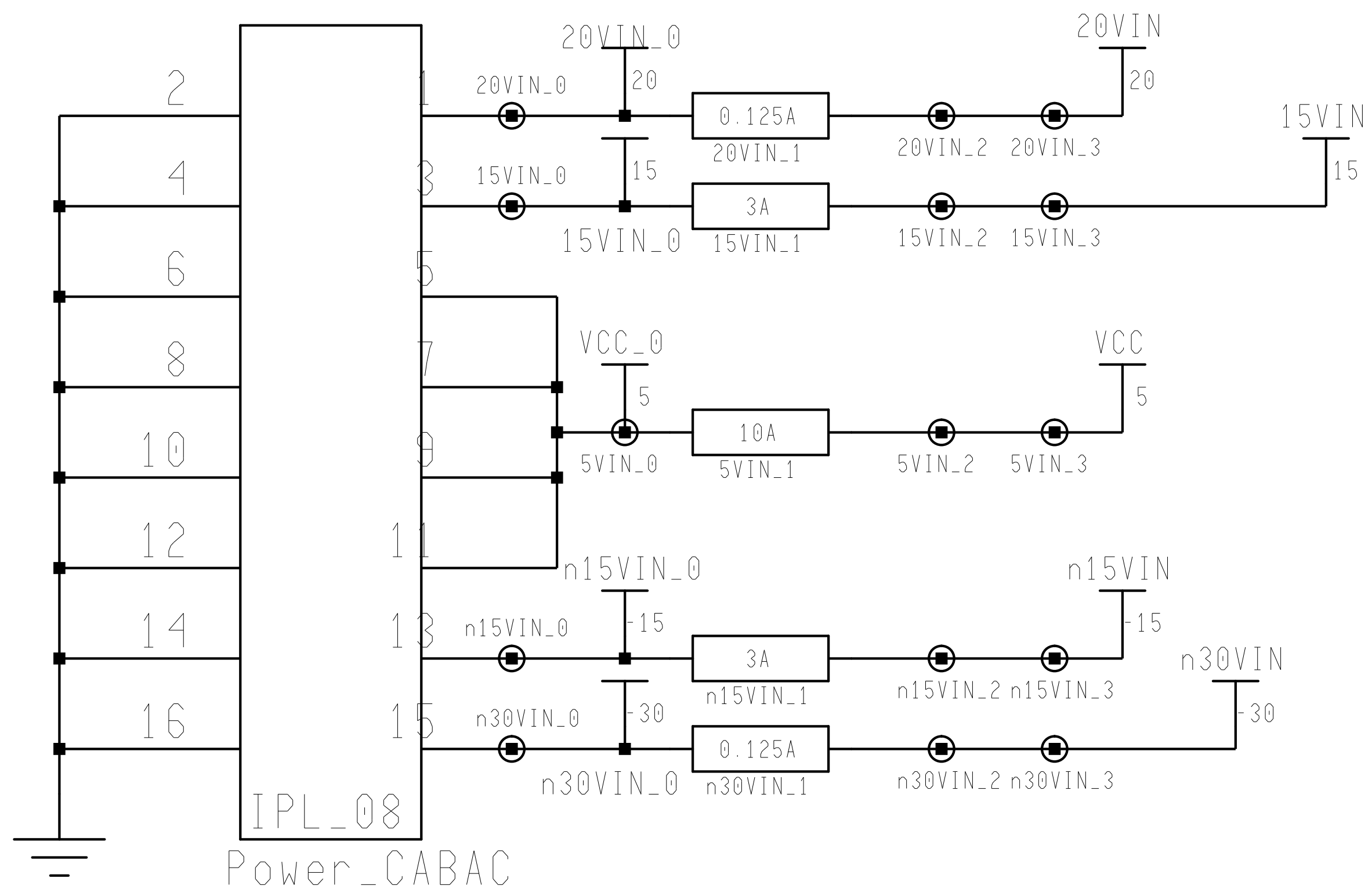
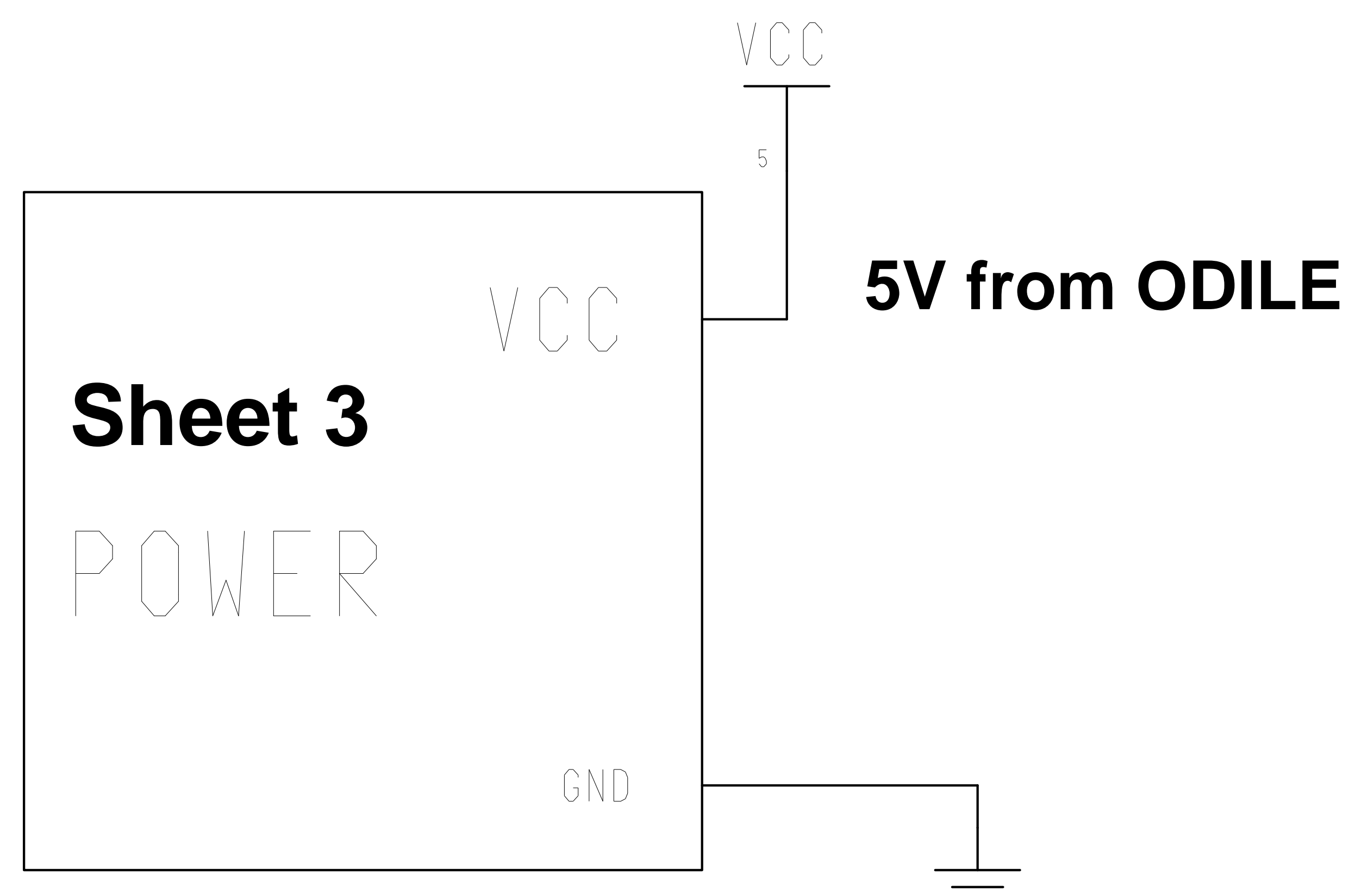


*Samtec miniMATE*  
**IPL1-108-01-F-D-RA-K**



**Sheet 2**

**BREAKOUT**



**SCH-2985**  
**SPC-2986**  
**ASM-2987**

Engineer:	M. Bogdan
Drawn by:	M. Bogdan
DATE:	3/2/2021

<i>ODILE - Breakout Daughter Board</i>	
<b>Top Level</b>	
<b>The University of Chicago</b>	
REV. A	DRW. 2985   Sheet 1 of 3