

# L1

SK\_6Kx4K\_PADS\_L

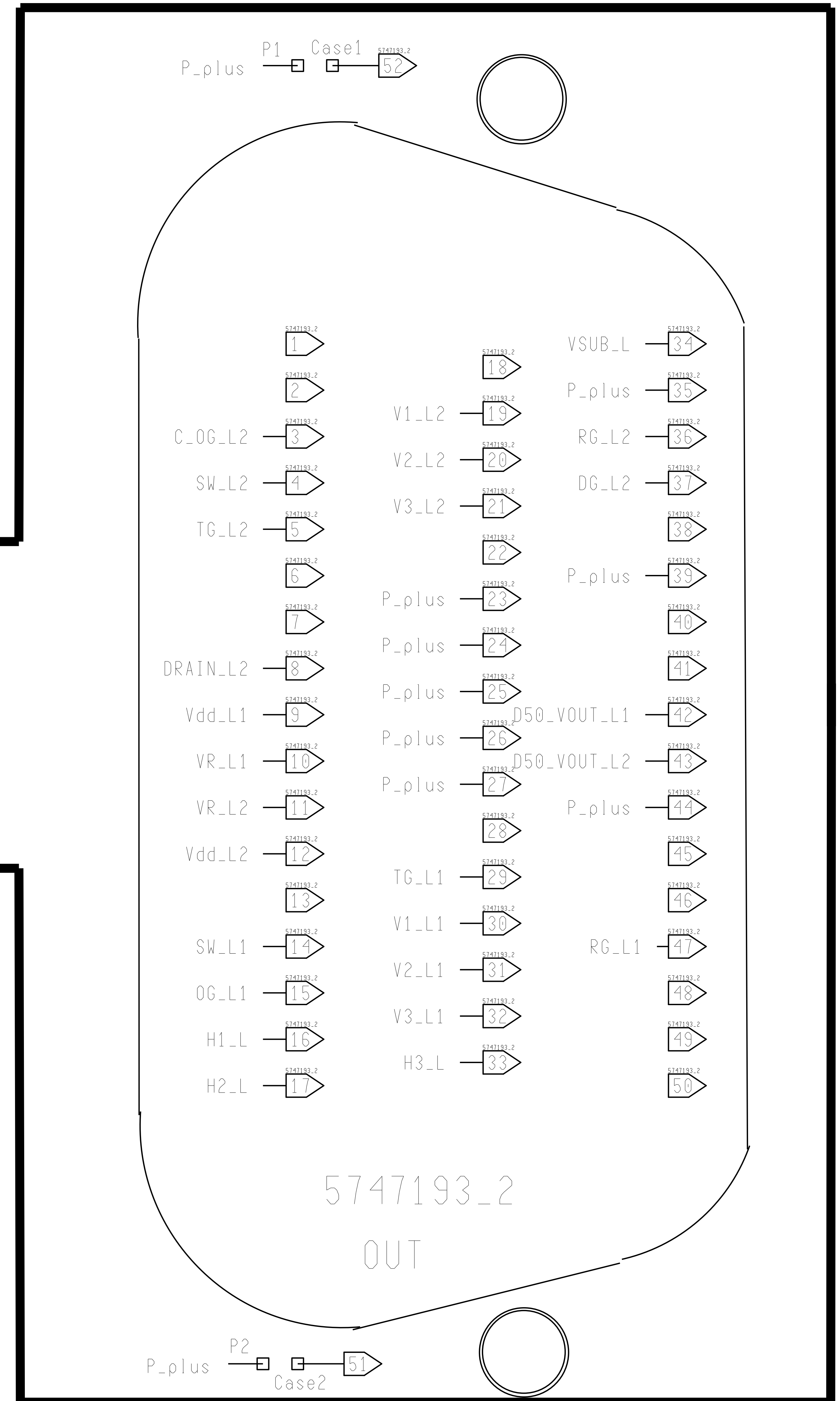
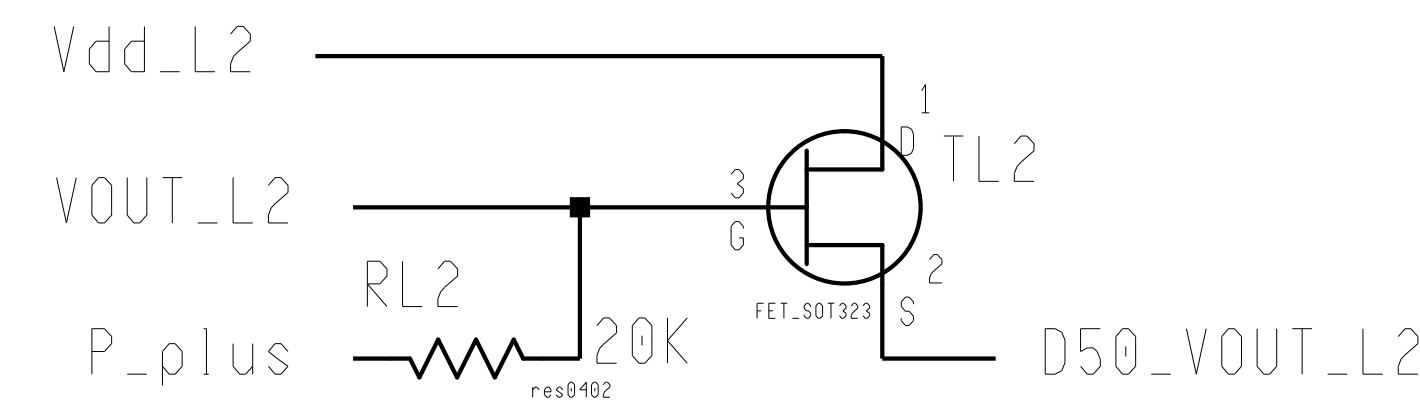
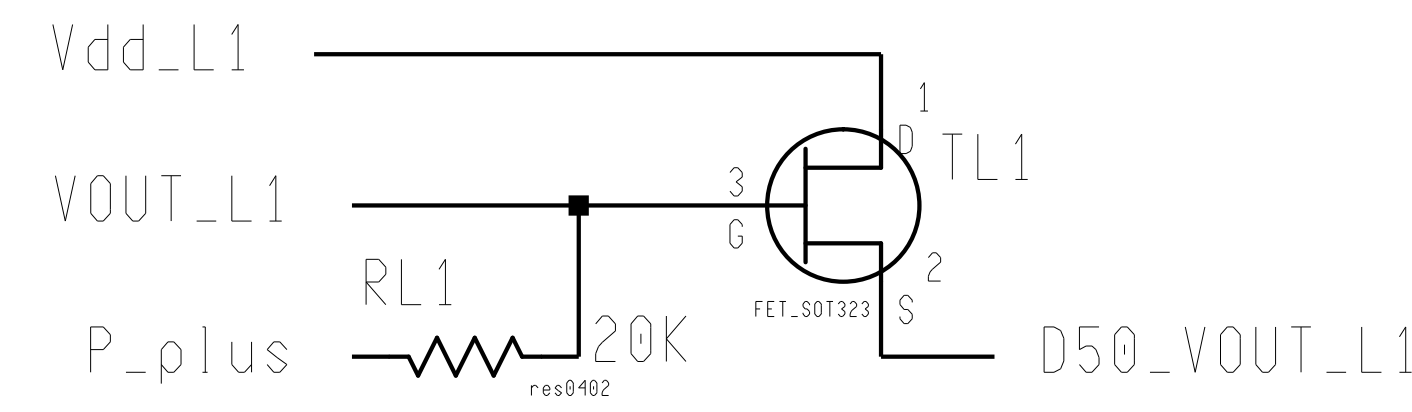
L	
VSUB_L1	41
H1_L1	40
H2_L1	39
H3_L1	38
SW_L1	37
OG_L1	36
RG_L1	35
RD_L1	34
VIDEO_L1	33
VDD_L1	32
TG_L1	31
Pp_L1	30
Np_L1	29

V1_1-L1	28
V2_1-L1	27
V3_1-L1	26

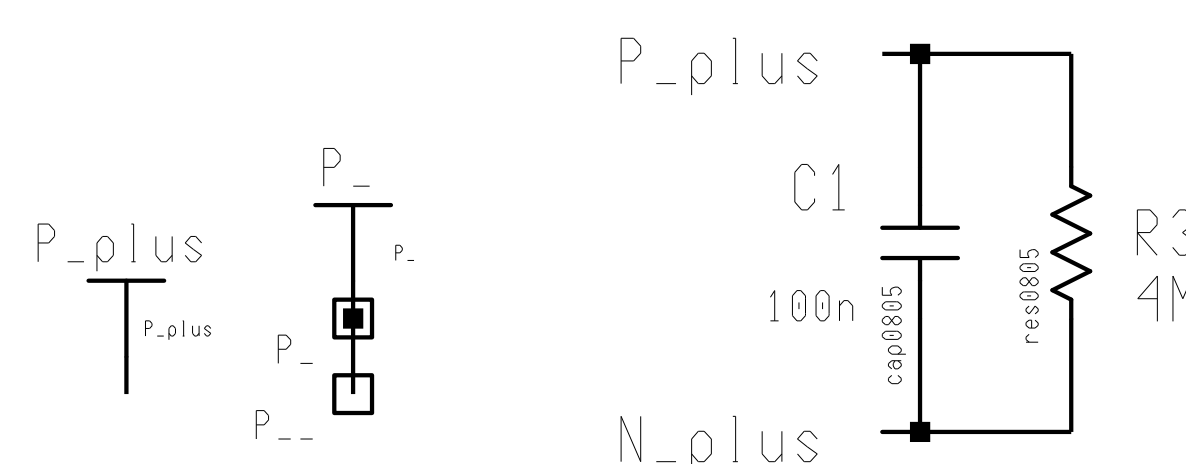
V1-L1	25
V2-L1	24
V3-L1	23
Np_L	22
V3_1-L2	21
V2_1-L2	20
V1_1-L2	19

V3-L2	18
V2-L2	17
V1-L2	16

N_plus	
Np_L2	15
Pp_L2	14
TG_L2	13
VIDEO_L2	12
RG_L2	11
RD_L2	10
VDD_L2	9
DG_L2	8
DRAIN_L2	7
OG_L2	6
SW_L2	5
H3_L2	4
H2_L2	3
H1_L2	2
VSUB_L2	1



# L2



**SCH-2952**  
**SPC-2953**  
**ASM-2954**

Engineer: **M. Bogdan**  
Drawn by: **M. Bogdan**  
DATE: **8/22/2019**

**The University of Chicago**  
5620 S. Ellis Ave. Chicago, IL 60637  
*6Kx4K Skipper CCD Flex Cable-L*

REV. A    DRW. **2952**    Sheet 1 of 1