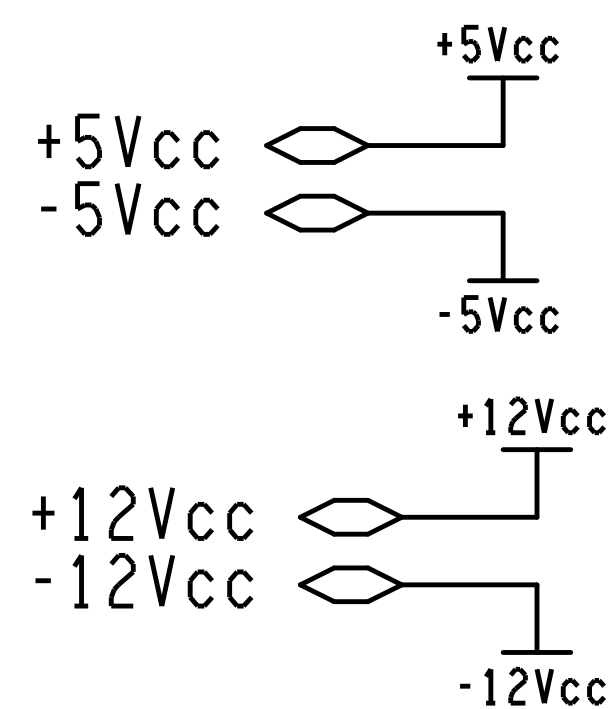


FPGND connects to the two screws holding the module's front panel.



Engineer	M. Bogdan	The University of Chicago 5640 S. Ellis Ave. Chicago, IL 60637		
Drawn by	M. Bogdan			
R&D CHK		J3 MUX Transition Board Dark Matter Search		
DATE:	4/12/13			
TIME:	11:17 am			
QA CHK		REV A	DRW. 2814	Sheet 3