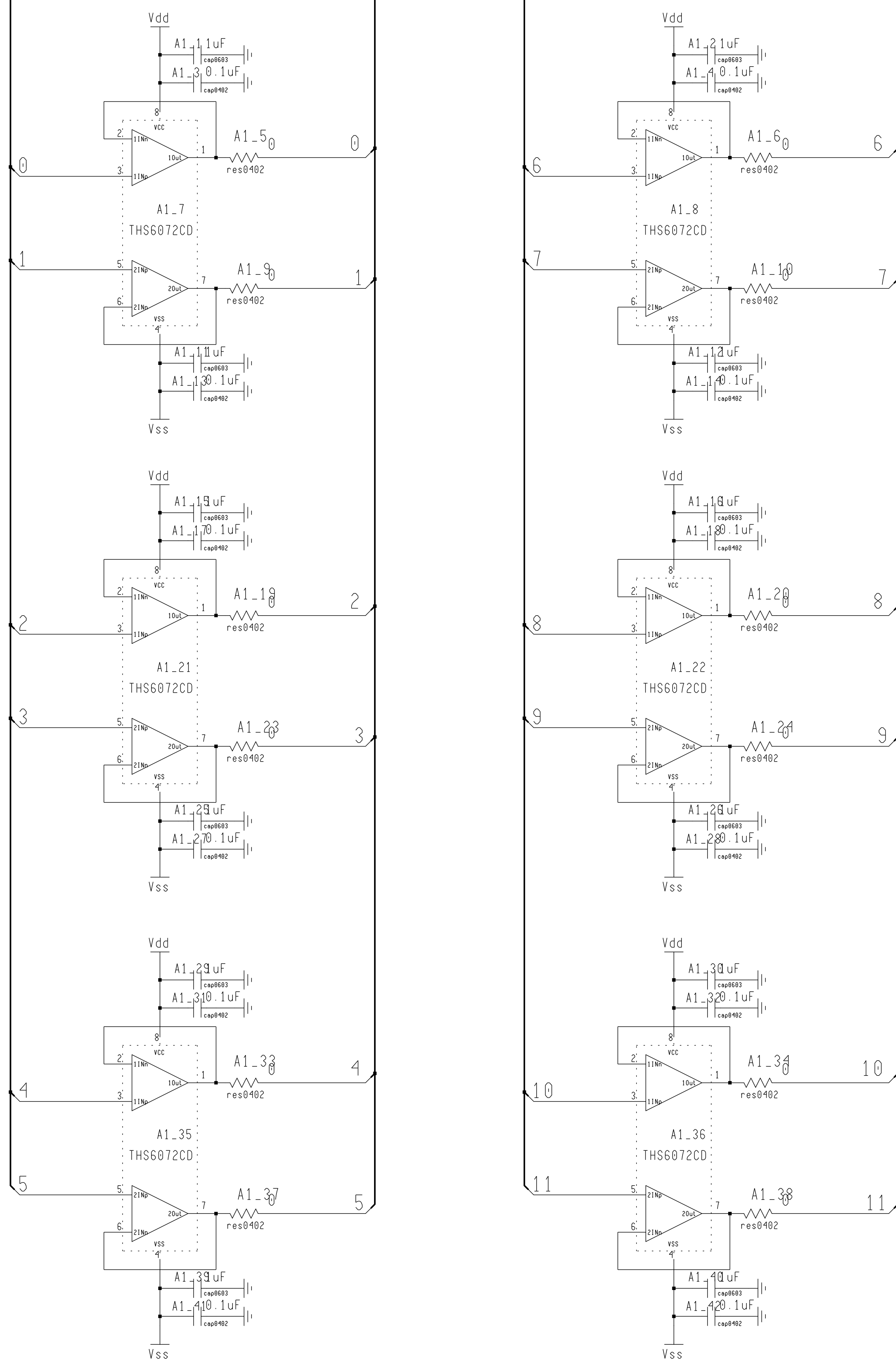


From J4/J5

IN[11:0]

OUT[11:0]

To 4 Inputs of Switches



Engineer	M. Bogdan	The University of Chicago 5640 S. Ellis Ave. Chicago, IL 60637					
Drawn by	M. Bogdan						
R&D CHK		Input Buffer-1 MUX Transition Board Dark Matter Search					
DATE:	3/27/13						
TIME:	11:17 am						
QA CHK		REV	A	DRW.	2814	Sheet	4_1