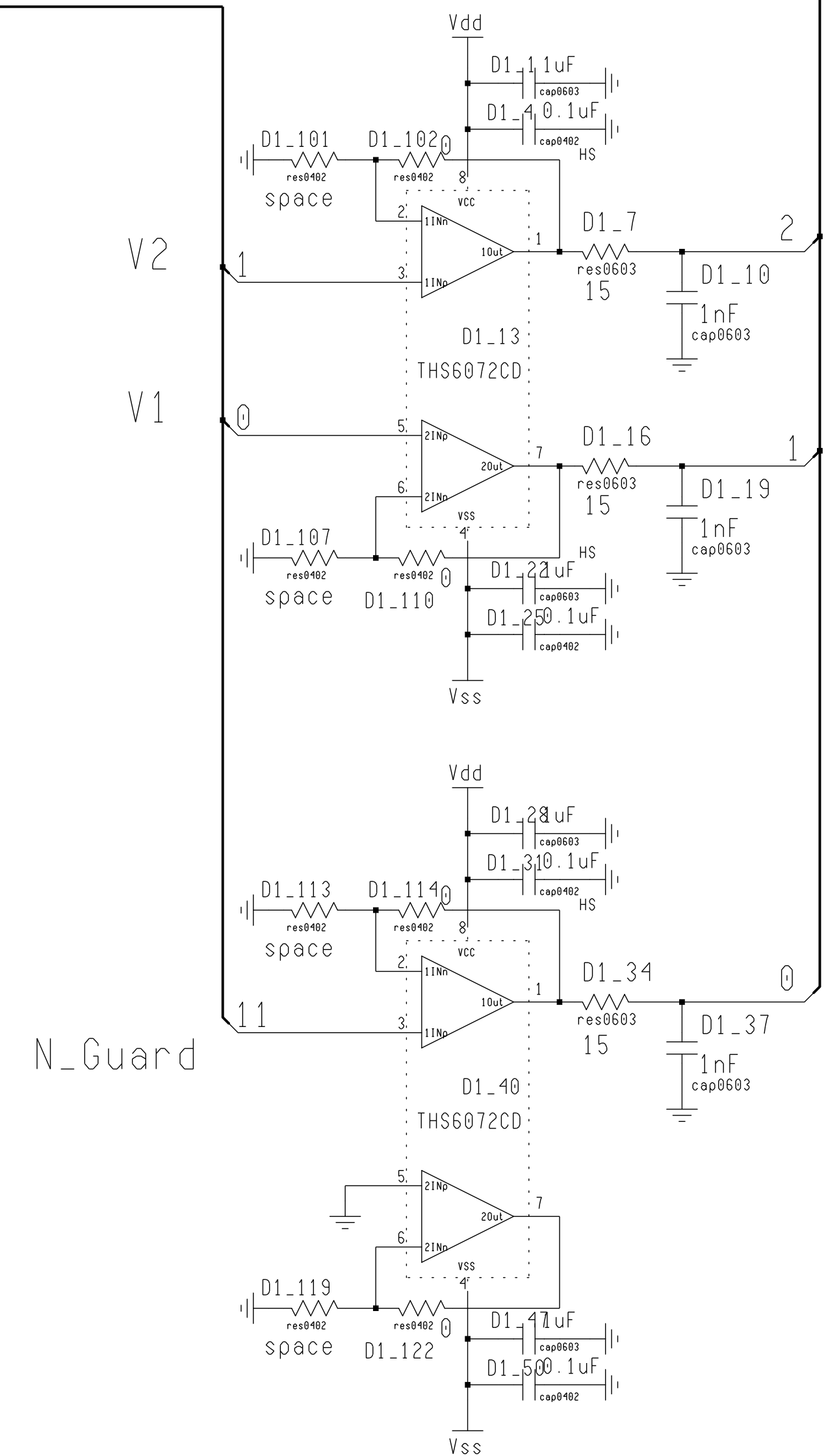
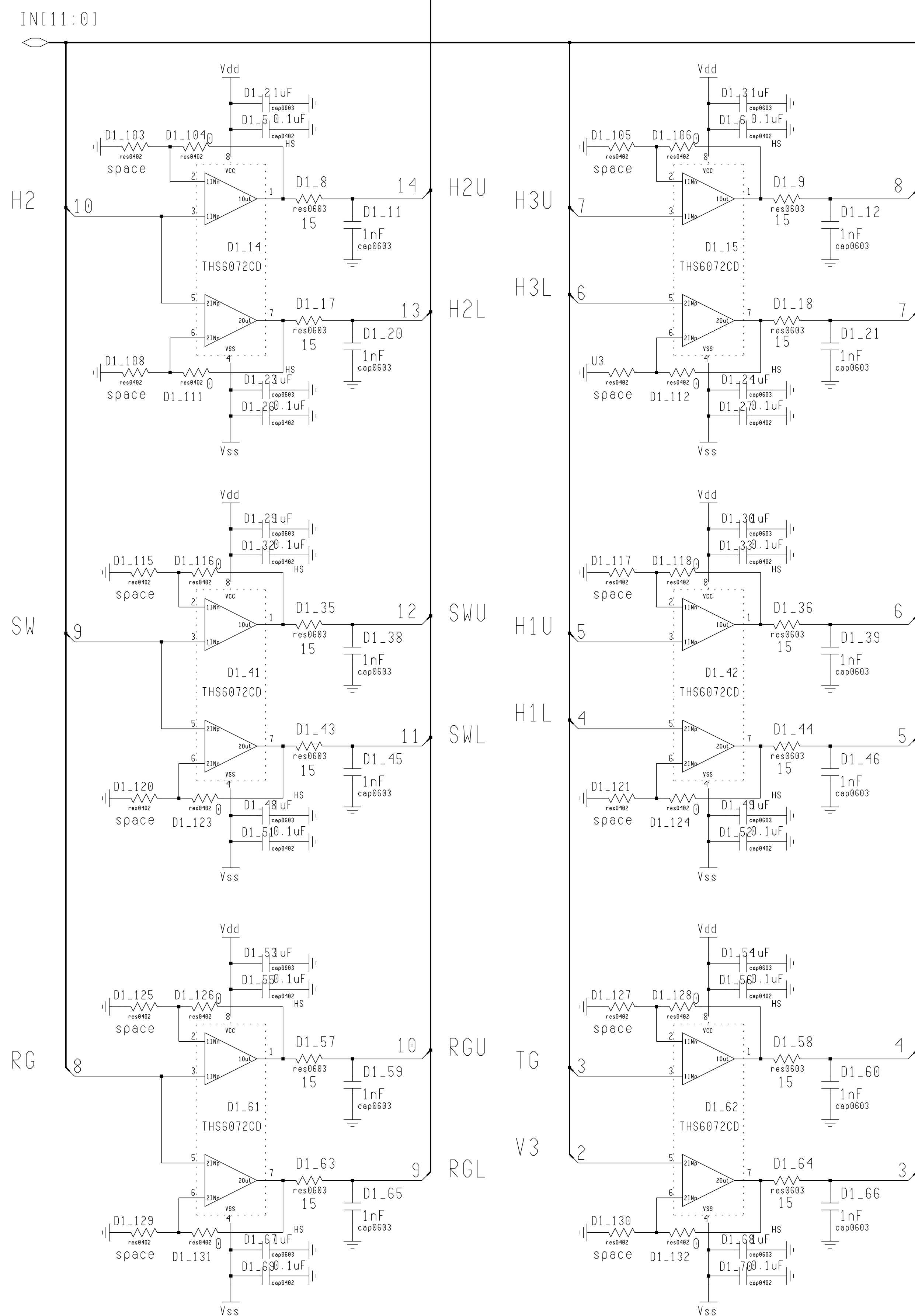


Clocks from J4/J5 via Switches

OUT[14:0]

To CCD



Engineer	M. Bogdan	The University of Chicago	
Drawn by	M. Bogdan	5640 S. Ellis Ave.	
		Chicago, IL 60637	
R&D CHK		Buffer/Fanout - 1 MUX Transition Board Dark Matter Search	
DATE:	4/11/13		
TIME:	11:17 am		
QA CHK		REV	A
		DRW.	2814
		Sheet	8_1