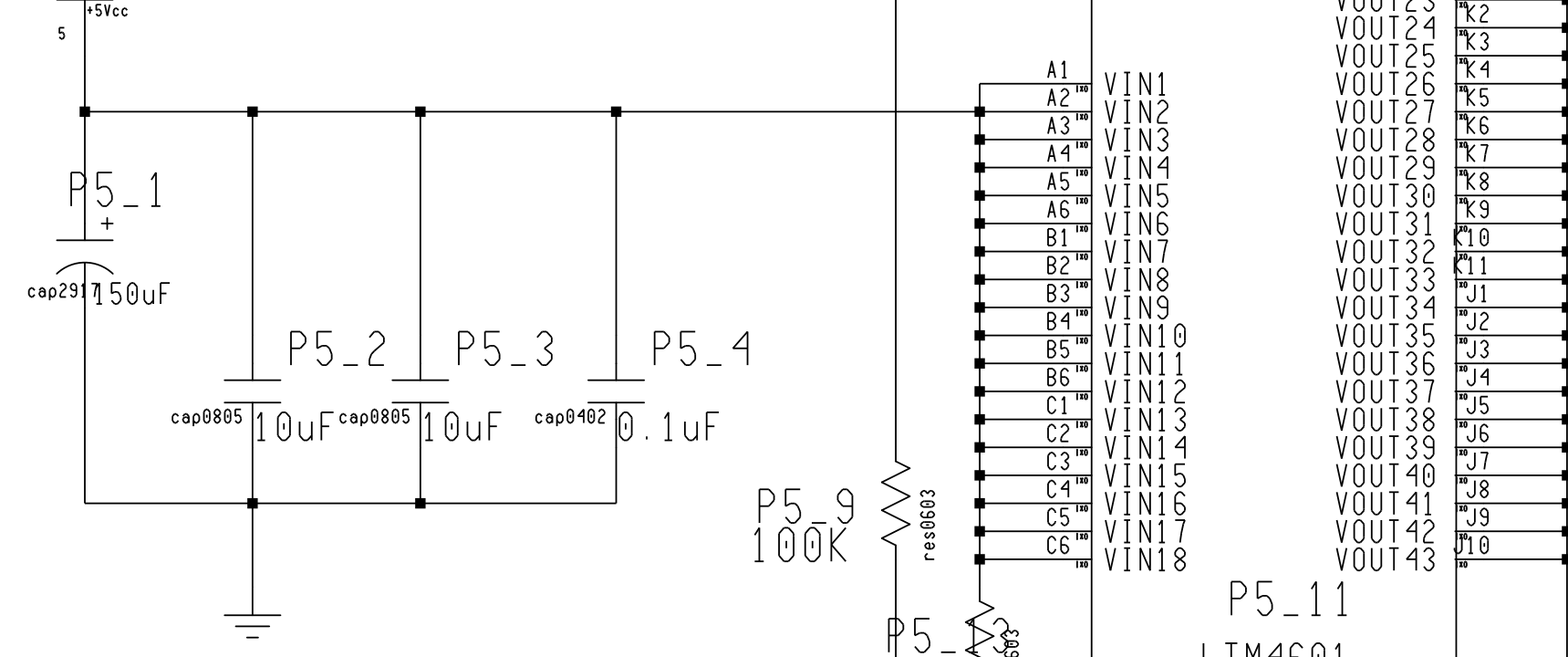
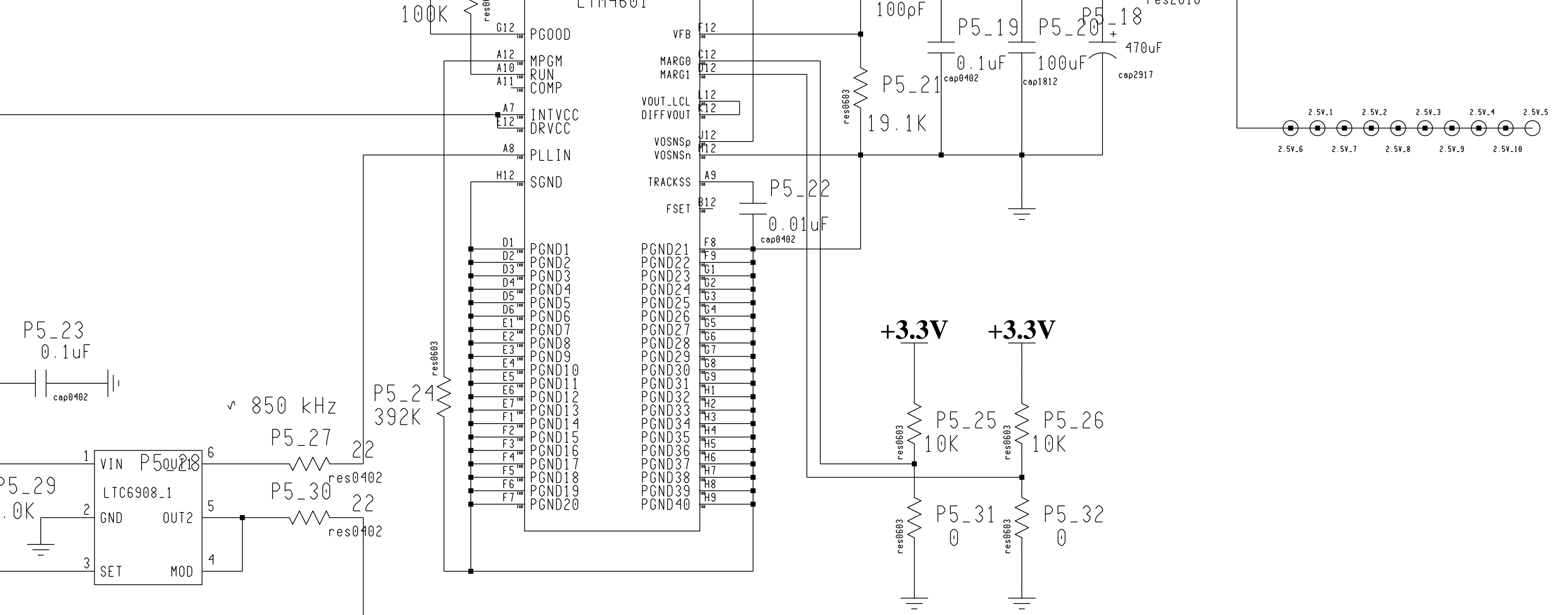


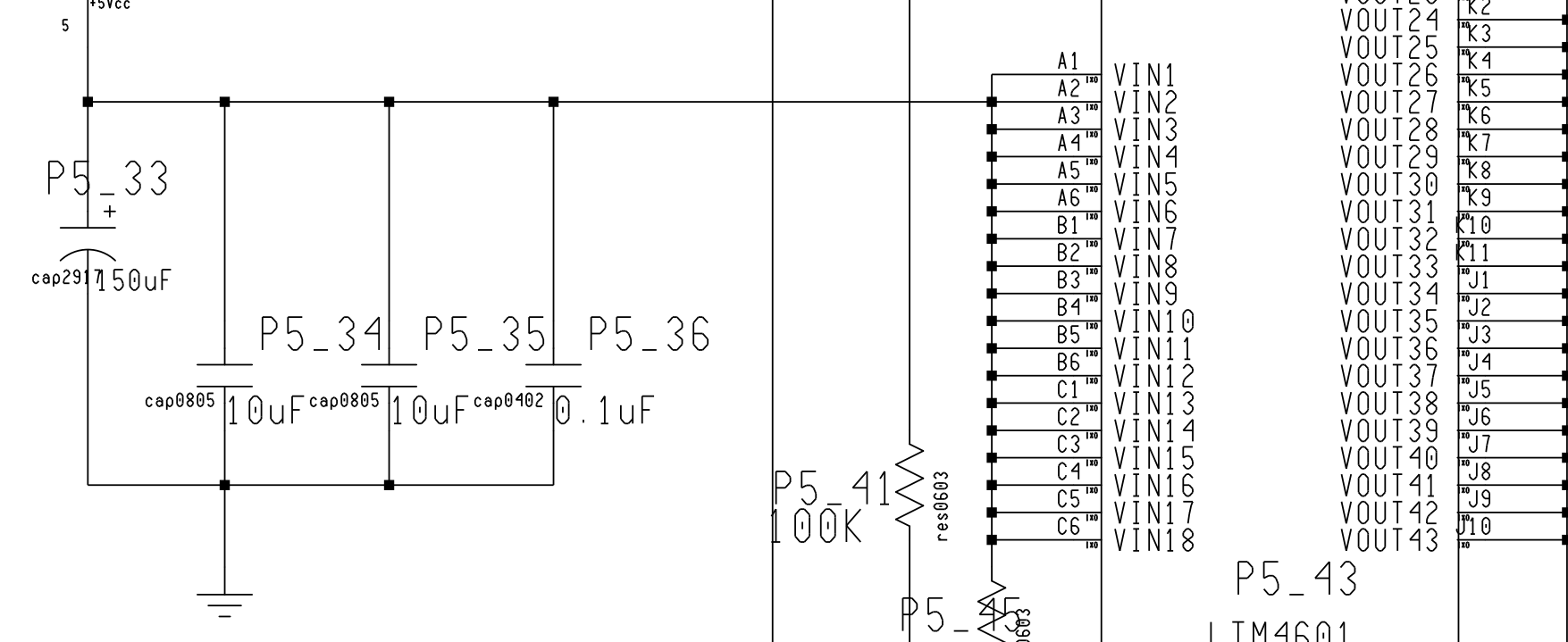
Vcc



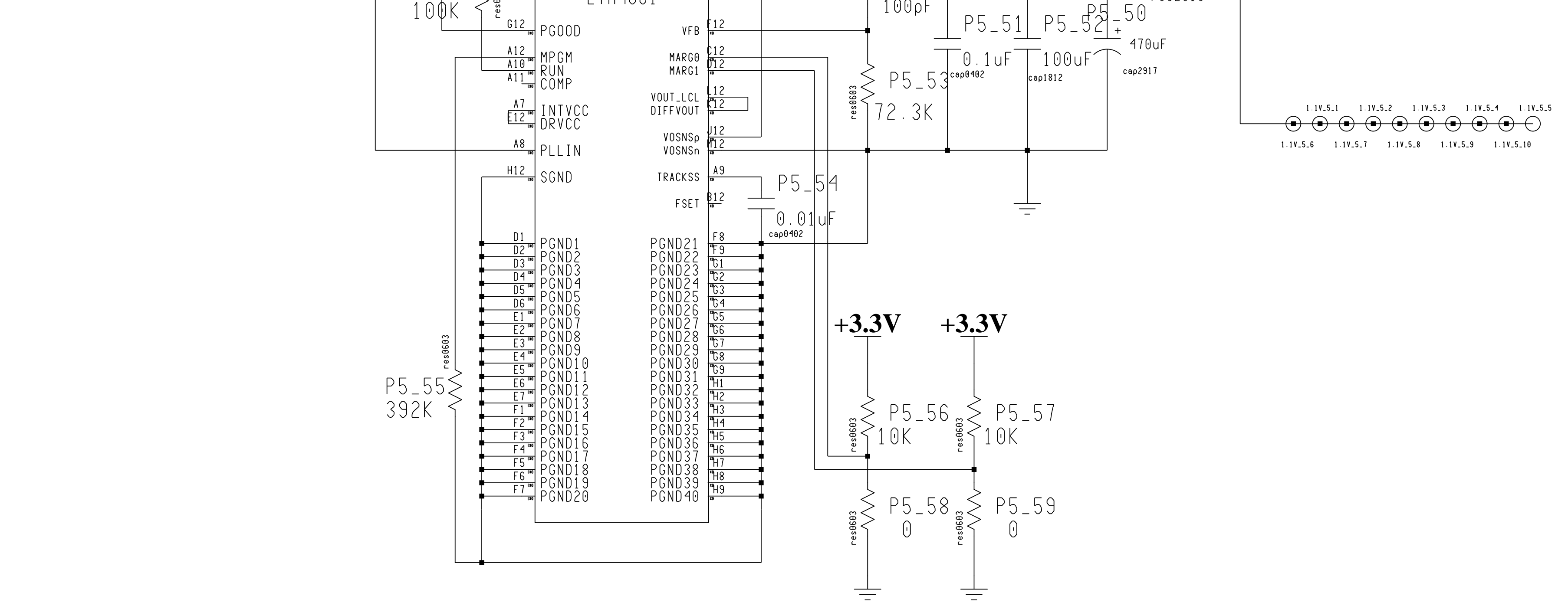
2.5Vcc
12A max



Vcc



1.1V_5
12A max



| | | | |
|----------|-----------------|-----------------------------------------------------------------------------|-----------------------------------------------|
| Engineer | M.Bogdan | The University of Chicago 5640 S. Ellis Ave. Chicago, IL 60637 | |
| Drawn by | M.Bogdan | | |
| R&D CHK | | TITLE | Power Supply FTK-AM-AUX Card |
| DATE: | 1/15/13 | | |
| TIME: | 11:17 am | REV | |
| | | A | DRW. 2808 |
| | | | Sheet 10_1 |