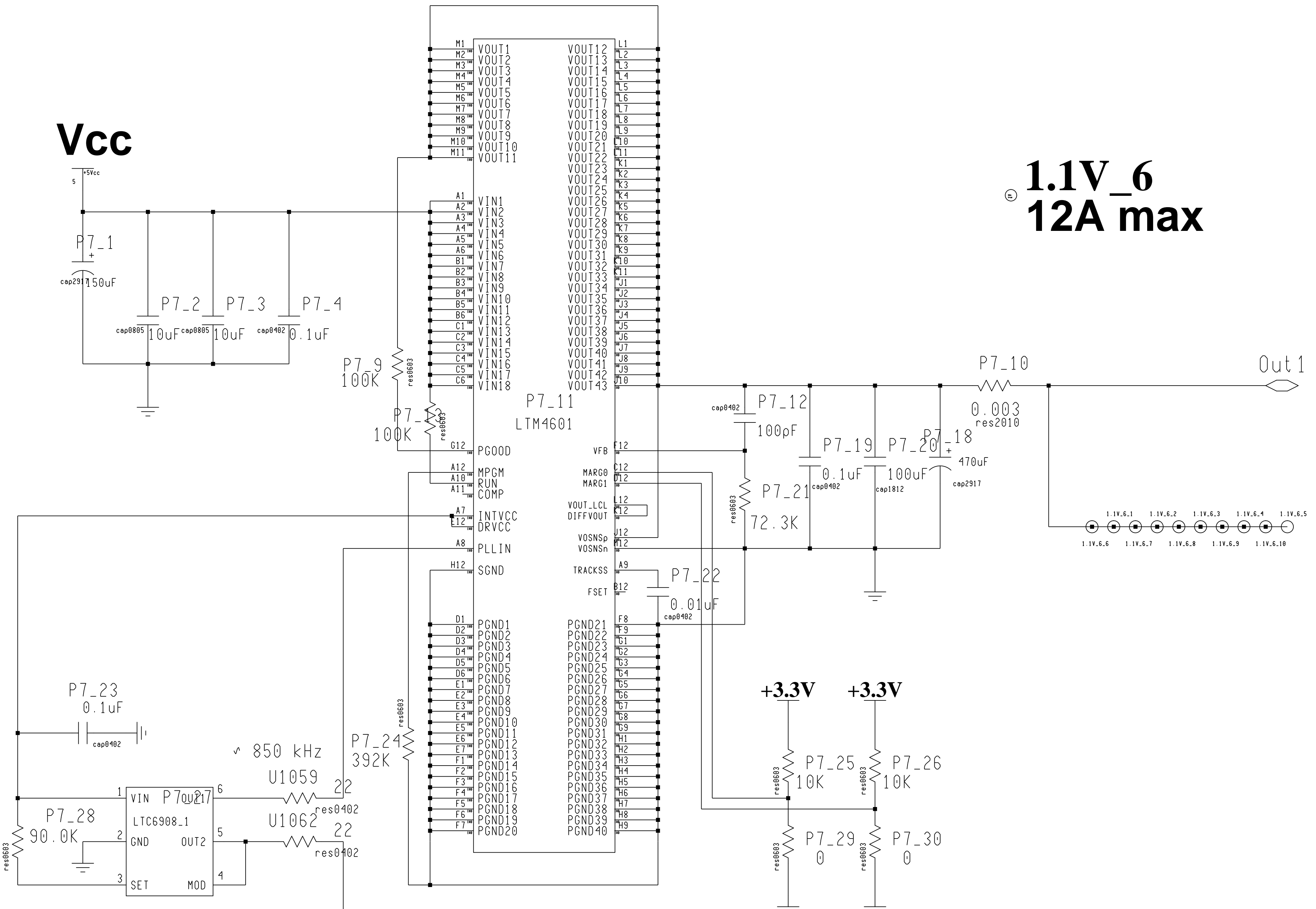
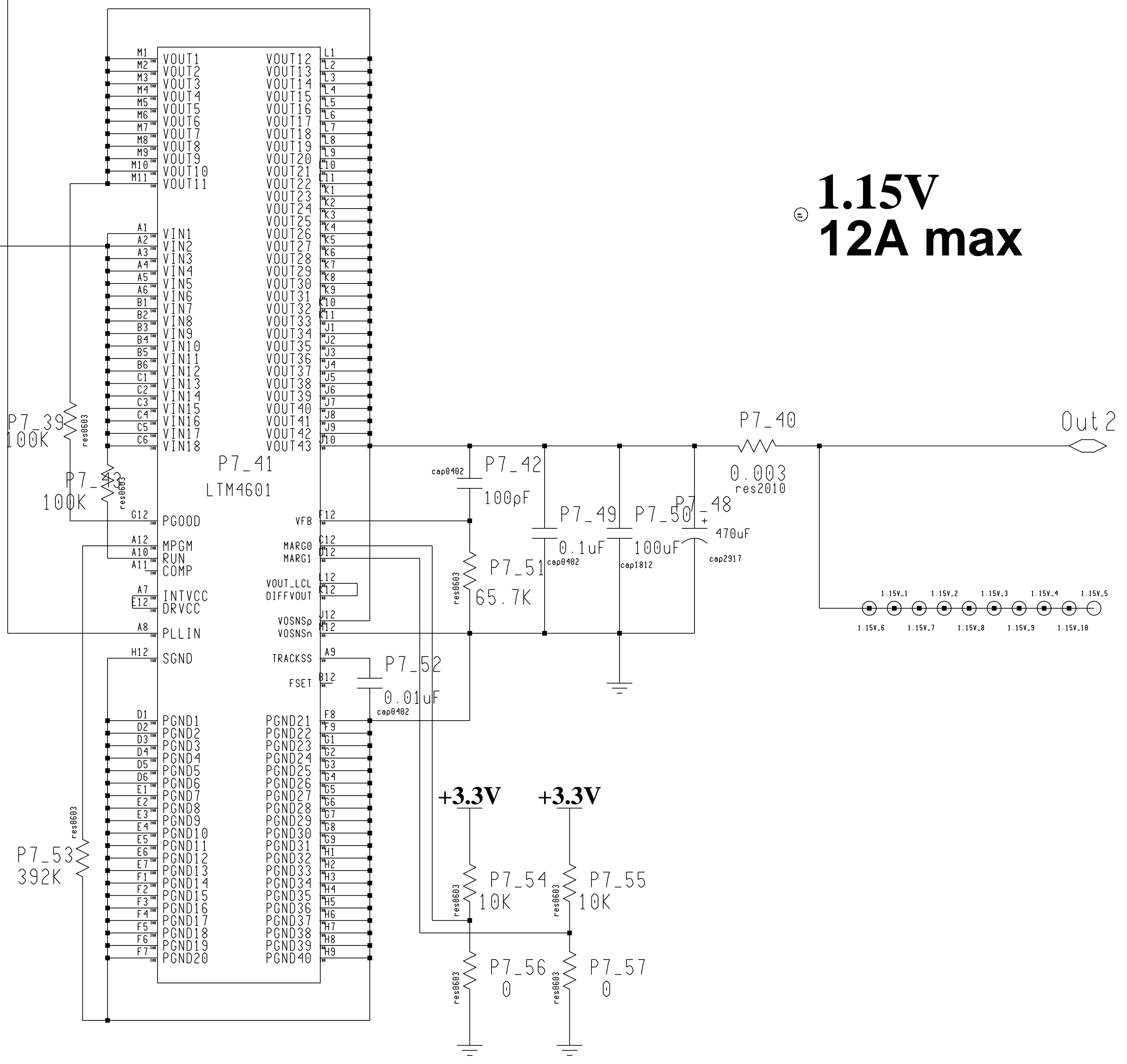


Vcc



1.1V_6
12A max

Vcc



1.15V
12A max

Engineer	M.Bogdan	The University of Chicago 5640 S. Ellis Ave. Chicago, IL 60637	
Drawn by	M.Bogdan		
R&D CHK		TITLE	Size
DATE:	1/15/13	Power Supply	
TIME:	11:17 am	FTK-AM-AUX Card	
REV	A	DRW.	2808
		Sheet 10_3	