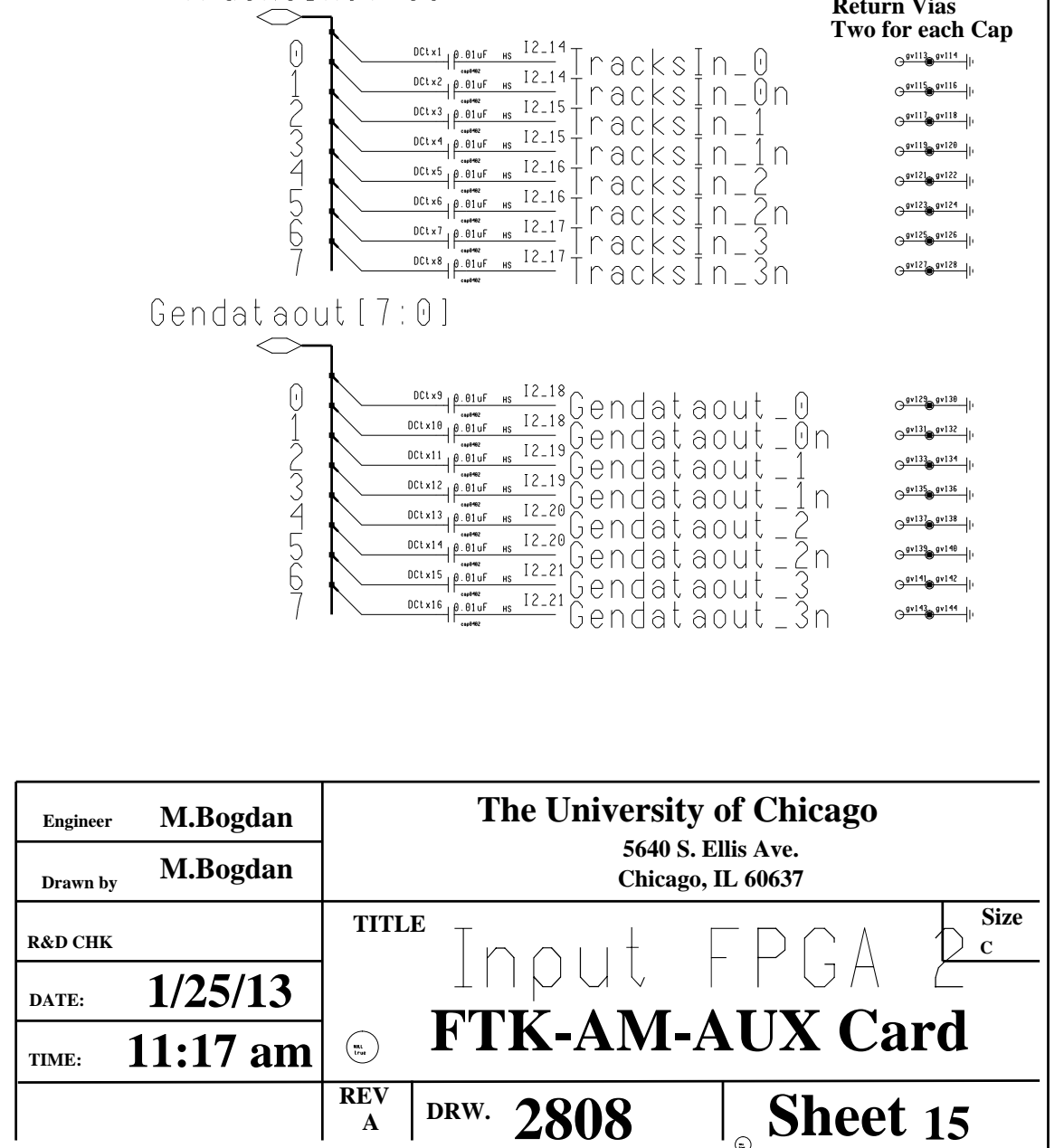
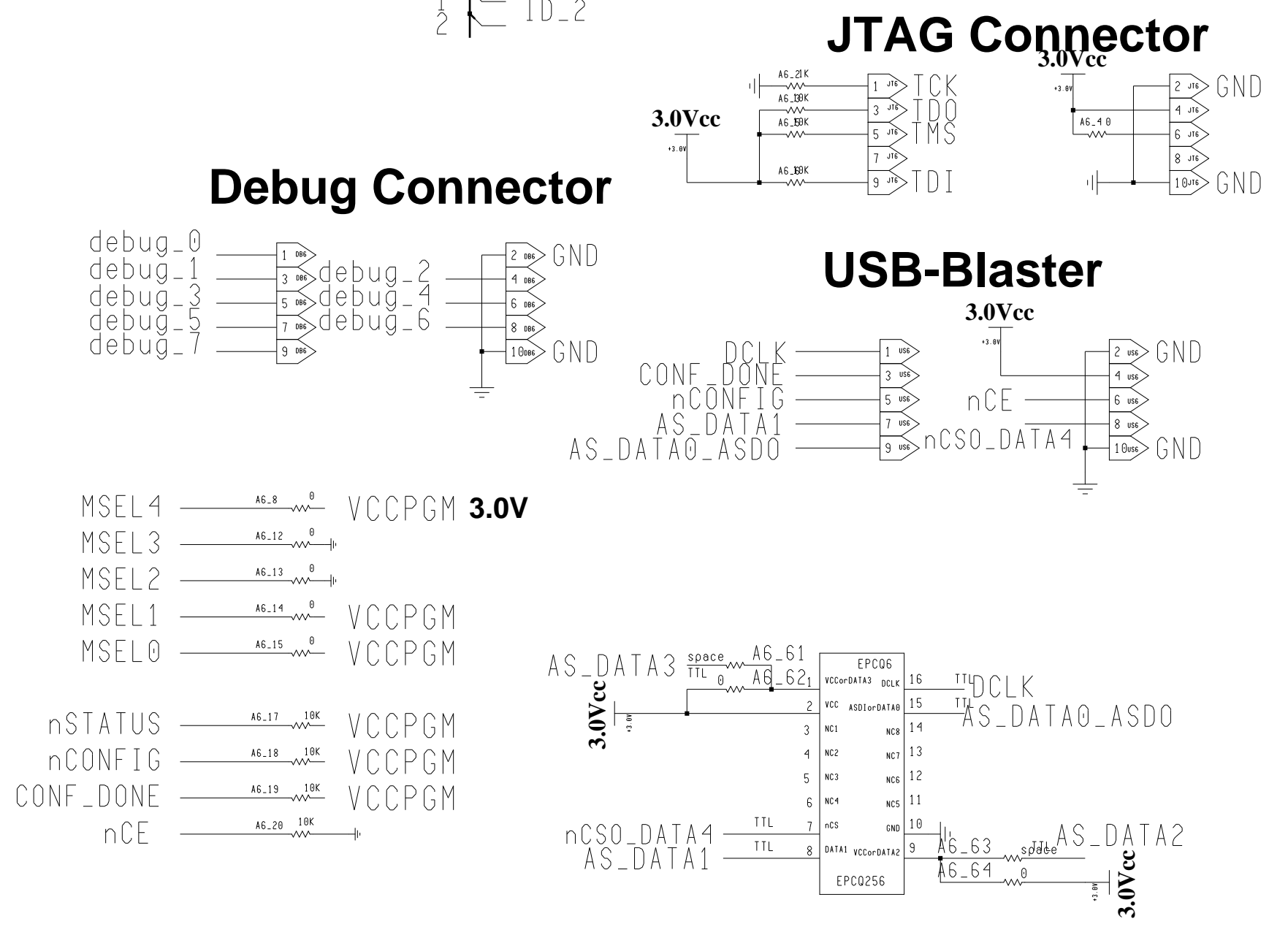
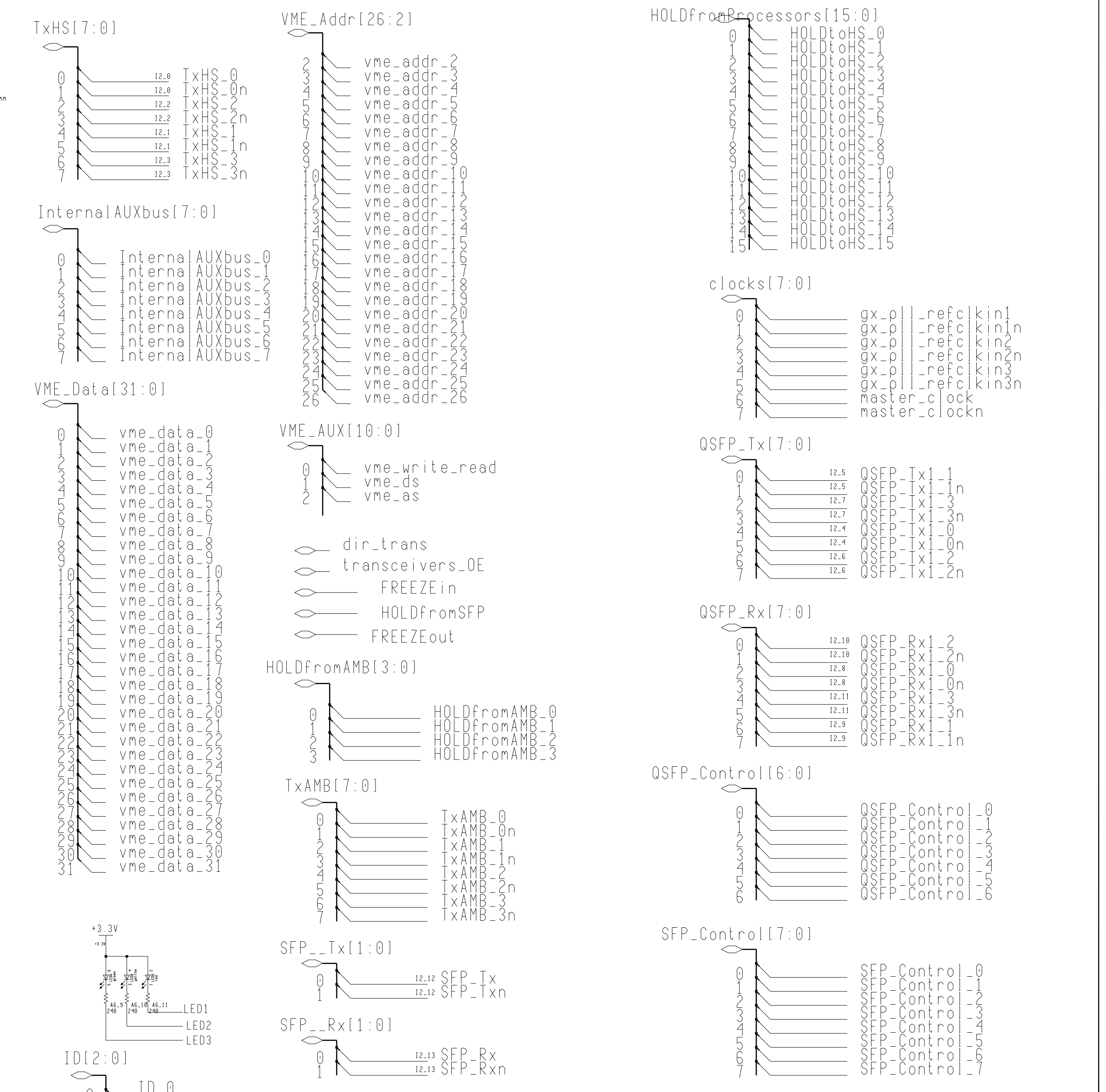


**Sheet 16**

Input  
FPGA 2  
Decoupling



Engineer	M.Bogdan	<b>The University of Chicago</b> 5640 S. Ellis Ave. Chicago, IL 60637	
Drawn by	M.Bogdan	TITLE	Size
R&D CHK		Input FPGA 2	
DATE:	1/25/13	<b>FTK-AM-AUX Card</b>	
TIME:	11:17 am	REV A	DRW. 2808
		<b>Sheet 15</b>	