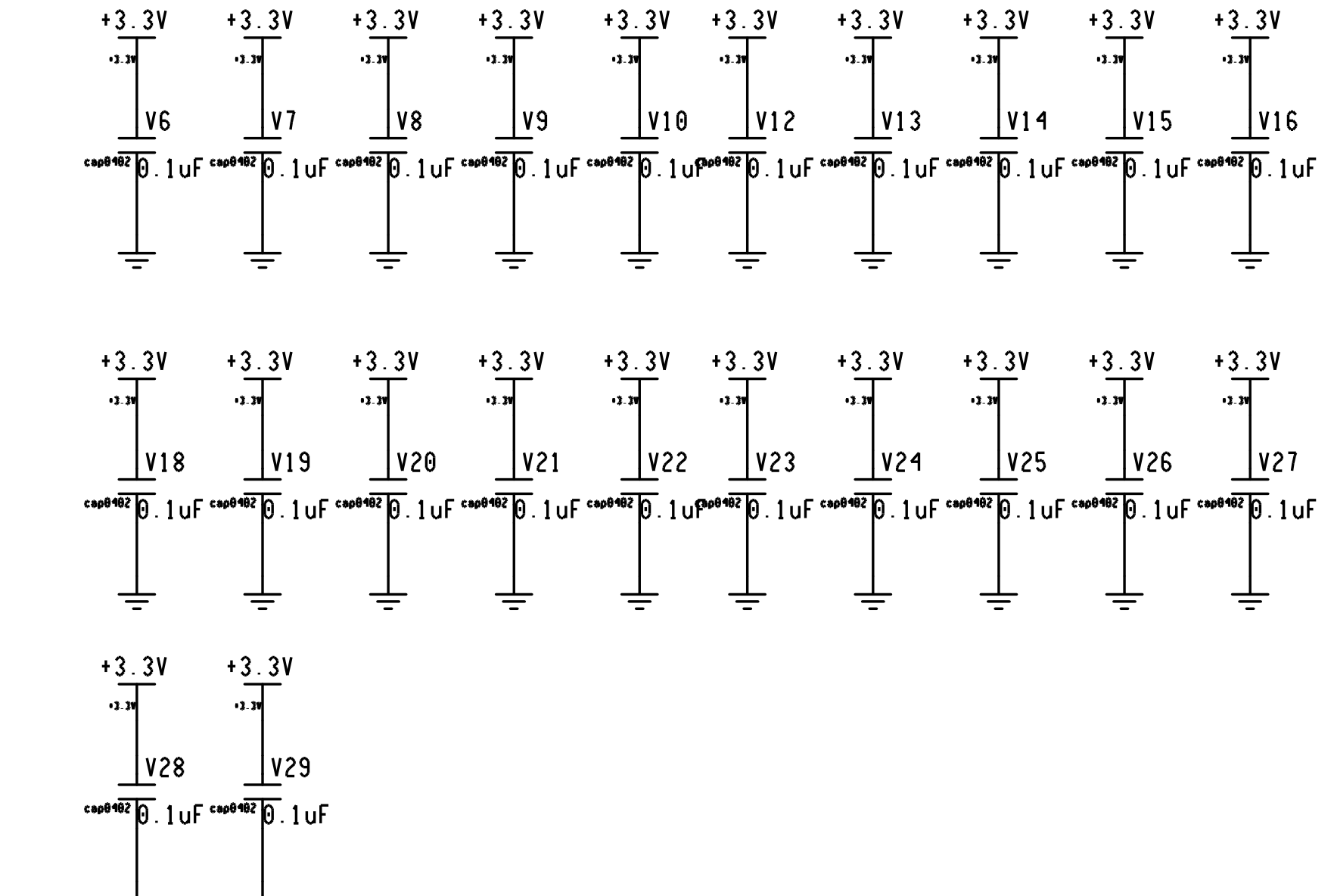
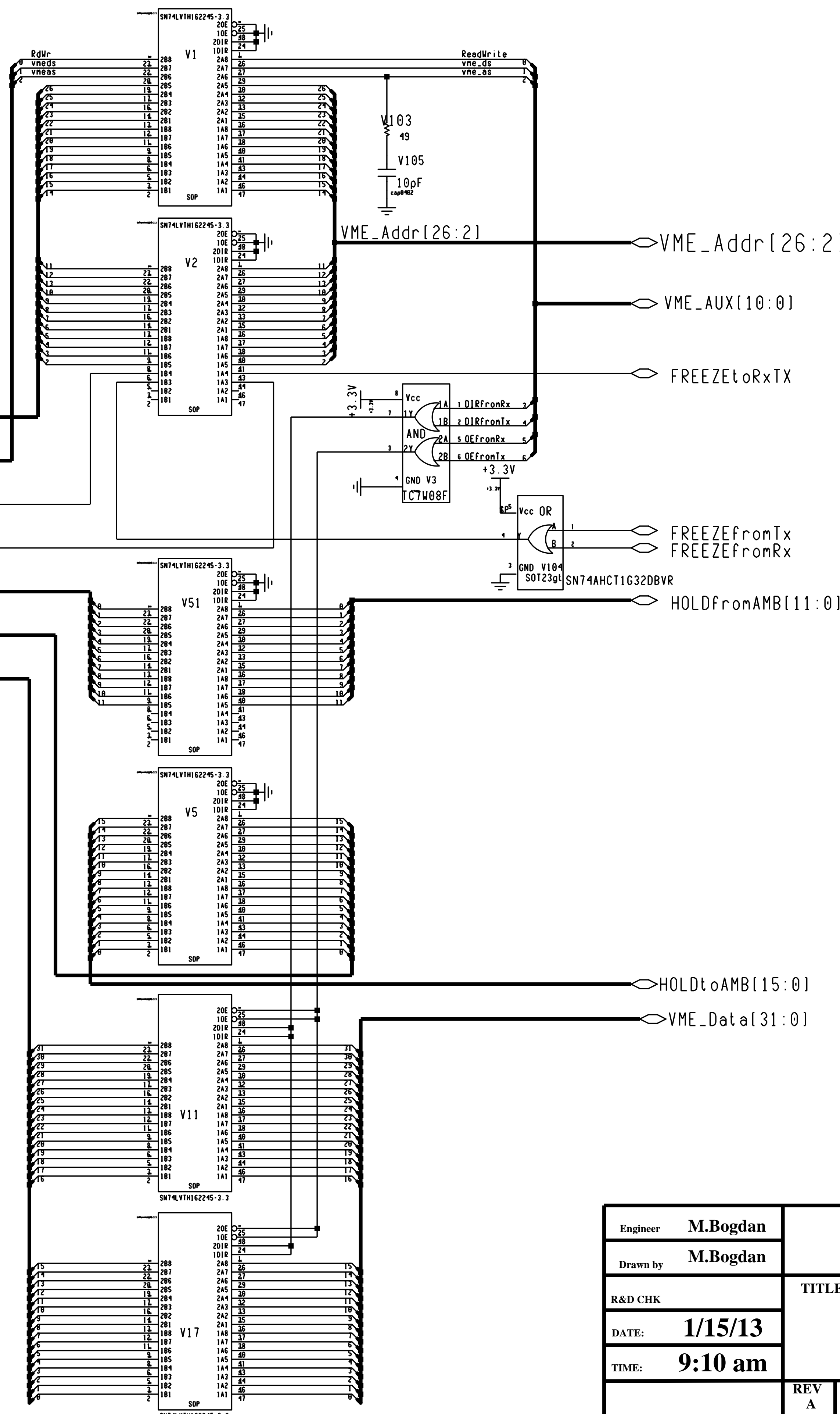


**Sheet 3**  
 VME\_Addr[26:2]  
 VME\_AUX[2:0]  
 VME\_P2(159:0)  
 FREEZEtoRxTx  
 FREEZEfromRxTx  
 HOLDtoTx[11:0]  
 HOLDfromRx[15:0]  
 VME\_Data[31:0]  
**RP2 Connector**



Engineer	M.Bogdan	The University of Chicago 5640 S. Ellis Ave. Chicago, IL 60637	
Drawn by	M.Bogdan		
R&D CHK		TITLE	Size
DATE:	1/15/13	<b>VME P2 Interface FTK-AM-AUX Card</b>	c
TIME:	9:10 am		
REV	A	DRW.	2808   Sheet 2