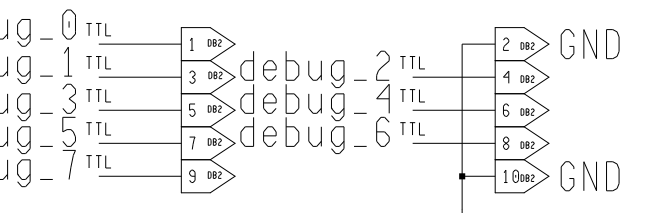
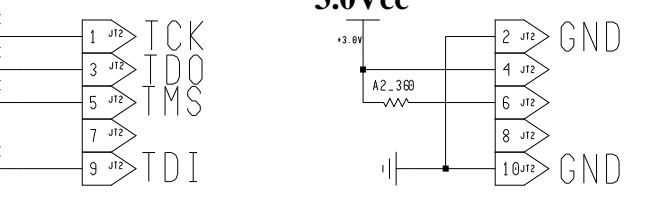


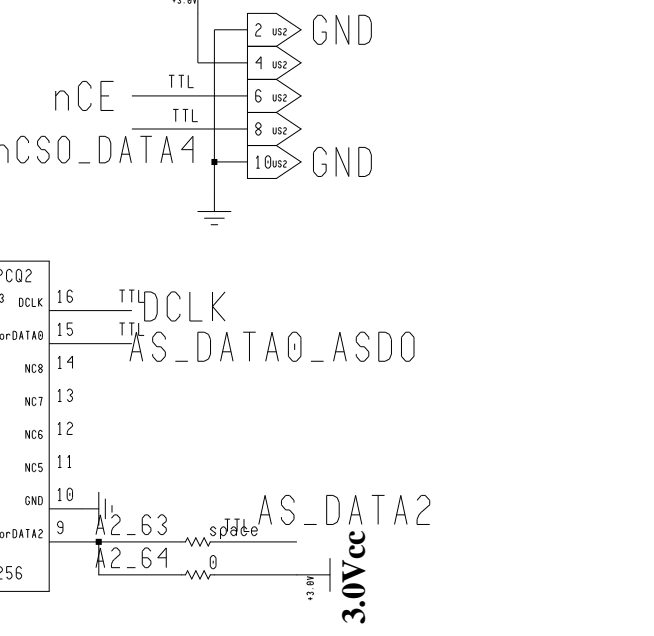
Debug Connector



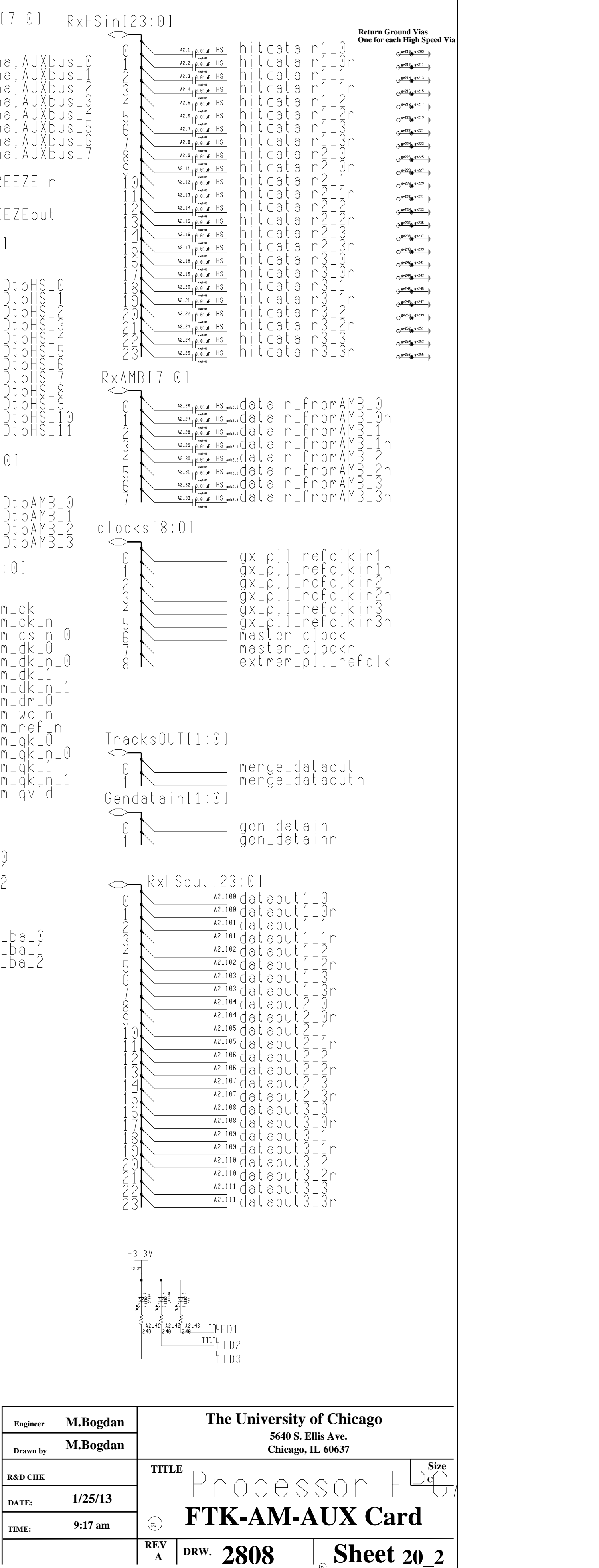
JTAG Connector



USB-Blaster



Sheet 22_2



Engineer	M.Bogdan	The University of Chicago 5640 S. Ellis Ave. Chicago, IL 60637	
Drawn by	M.Bogdan	TITLE	Processor FPGA
R&D CHK		DATE:	1/25/13
TIME:	9:17 am	REV A	DRW. 2808
			Sheet 20_2