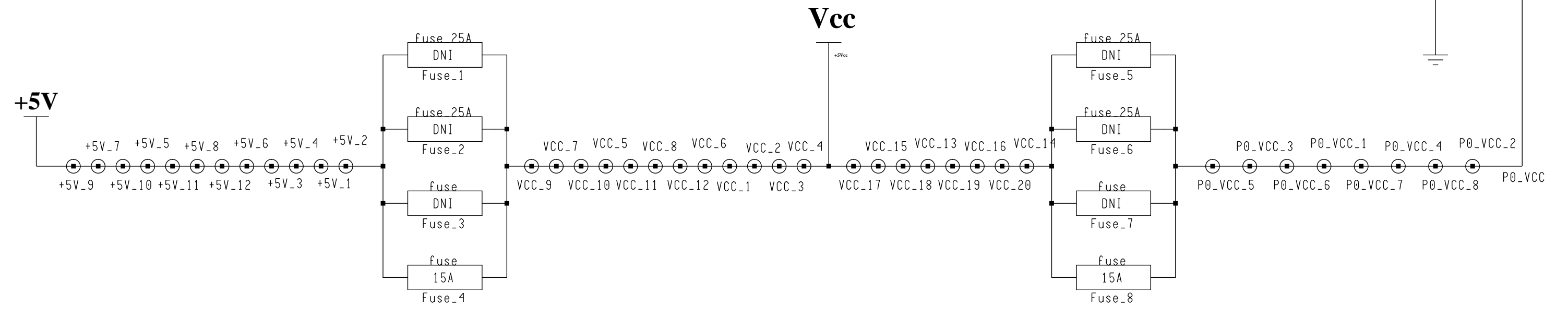
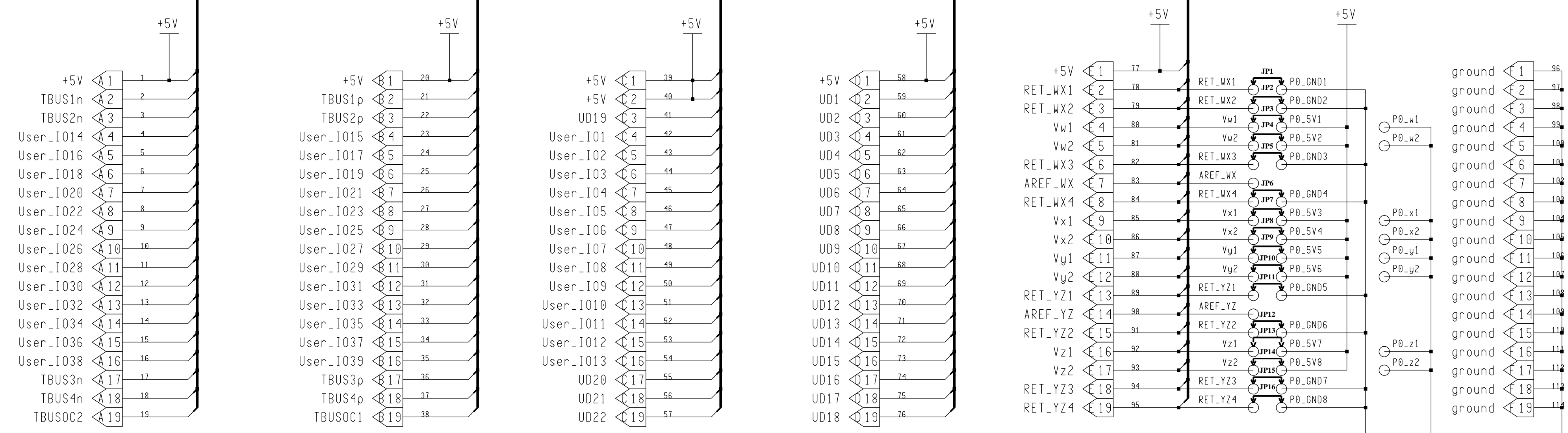


P0

VME\_P0(94:0)



**Notes:**

1. If DC voltages Vw, Vx, Vy, Vz are not used:
  - 1.1. Do not install any jumper
  - 1.2. Do Not install Fuse\_5,6,7,8.
  - 1.3. Install Fuse\_1, do not install Fuse\_2,3,4.
2. If DC voltages Vw, Vx, Vy, Vz are used with +5Vcc:
  - 2.1. Install jumpers JP1,....,16 as shown.
  - 2.2. Do Not install Fuse\_5,6,7,8.
  - 2.3. Install Fuse\_1, do not install Fuse\_2,3,4.
3. If DC voltages Vw, Vx, Vy, Vz are used with a different voltage (not more than 16V):
  - 3.1. Install jumpers JP1,2,5,6,11,12,15,16 as shown.
  - 3.2. Jumper: Vw1 to P0\_Vw1, Vw2 to P0\_w2, ... ,Vz2 to P0\_z2.
  - 3.3. Do Not install Fuse\_1,2,3,4.
  - 3.4. Install Fuse\_5, do not install Fuse\_6,7,8.

Engineer	M.Bogdan	The University of Chicago 5640 S. Ellis Ave. Chicago, IL 60637	
Drawn by	M.Bogdan		
R&D CHK		TITLE <b>VME RP0 Connector</b> <b>FTK-AM-AUX Card</b>	Size c
DATE:	1/15/13		
TIME:	10:37 am		
	REV A	DRW. 2808	Sheet 7