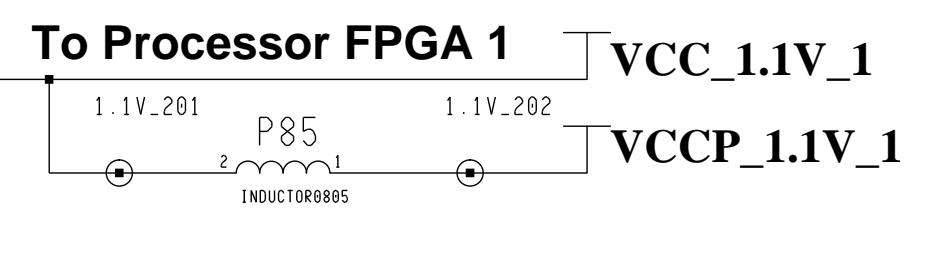
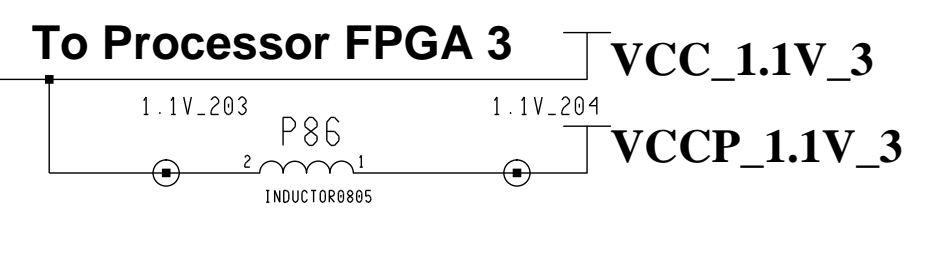


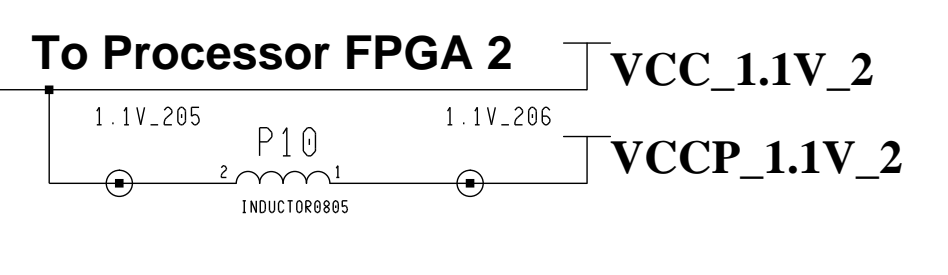
**Sheet 9-1**  
**Power 24A**



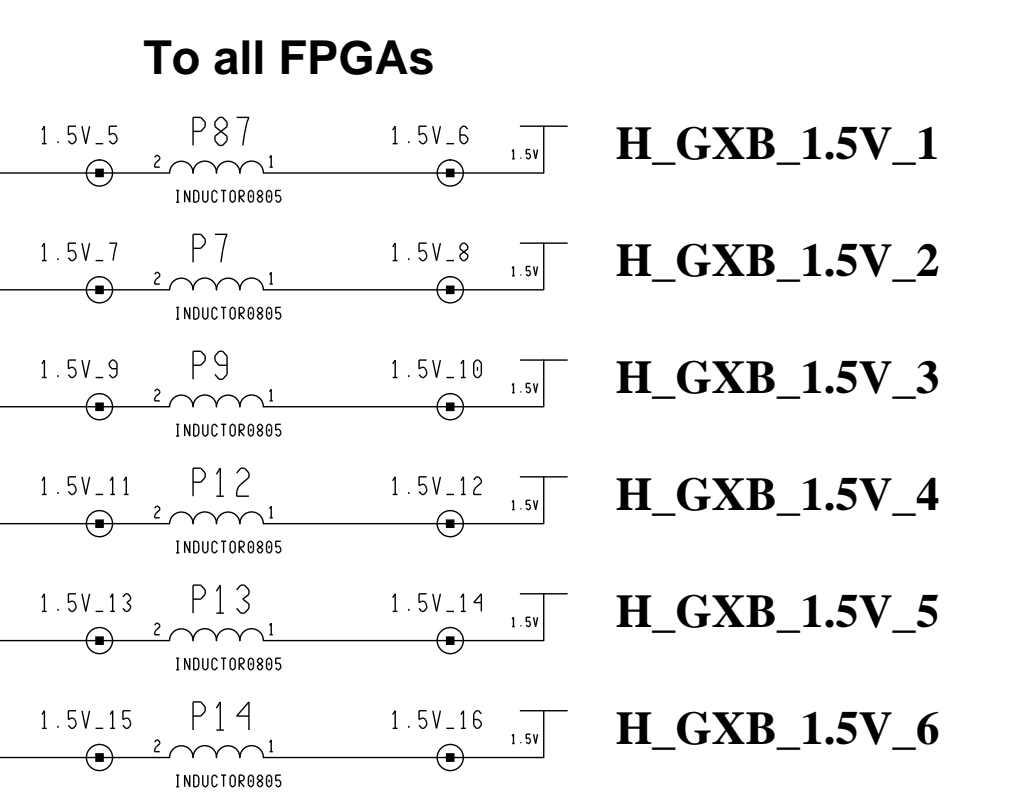
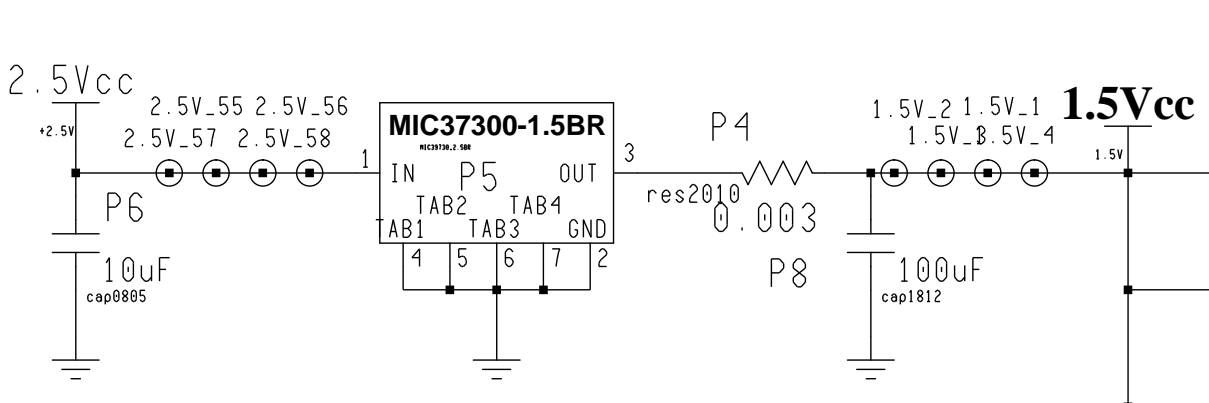
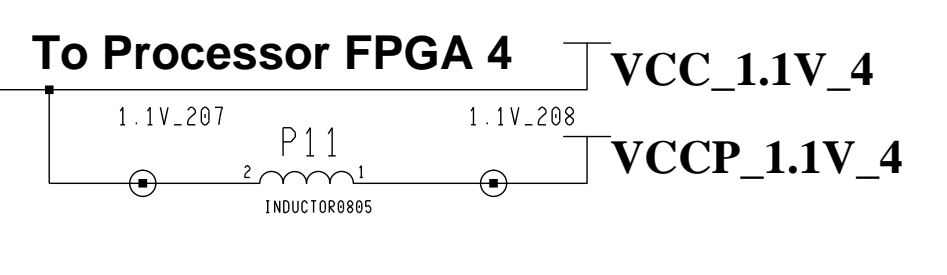
**Sheet 9-3**  
**Power 24A**



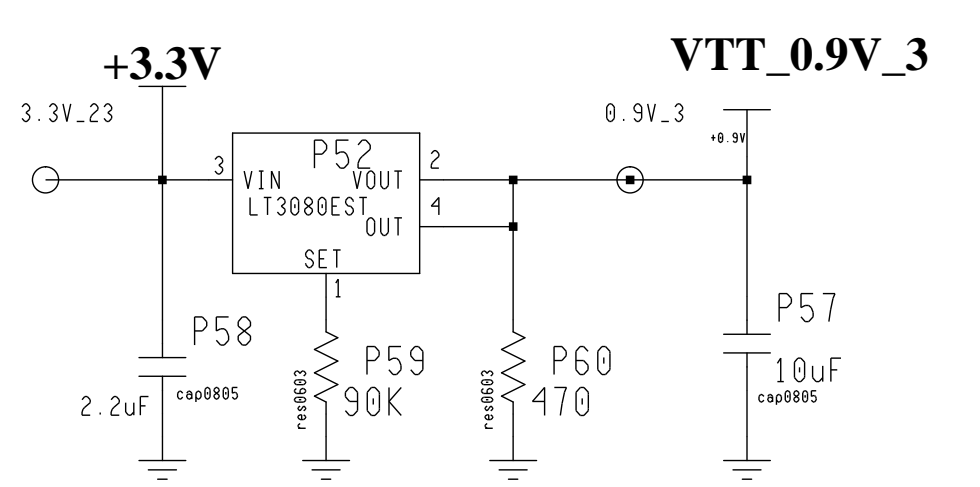
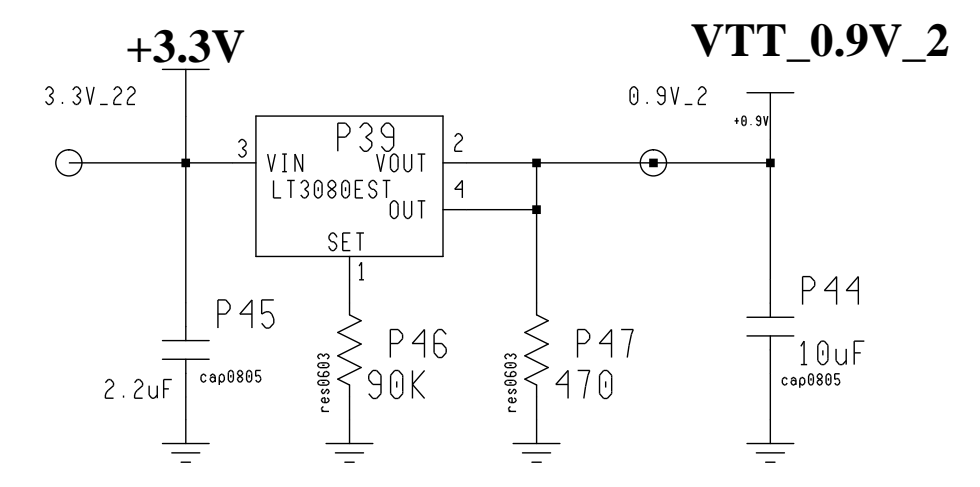
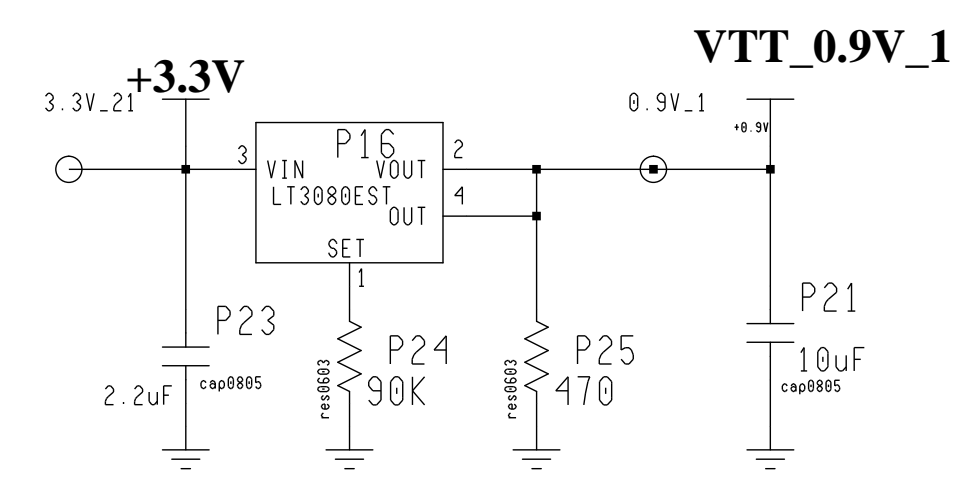
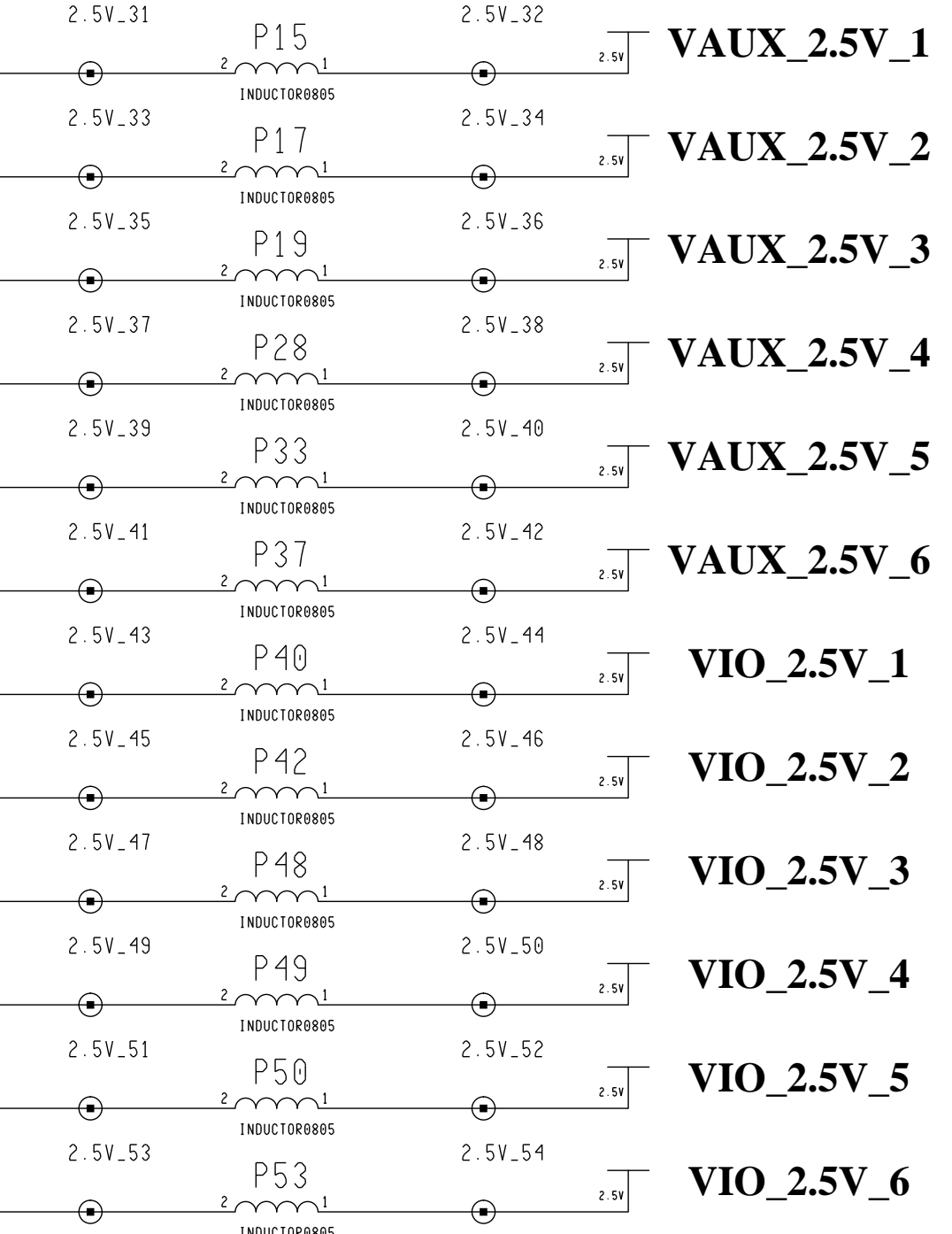
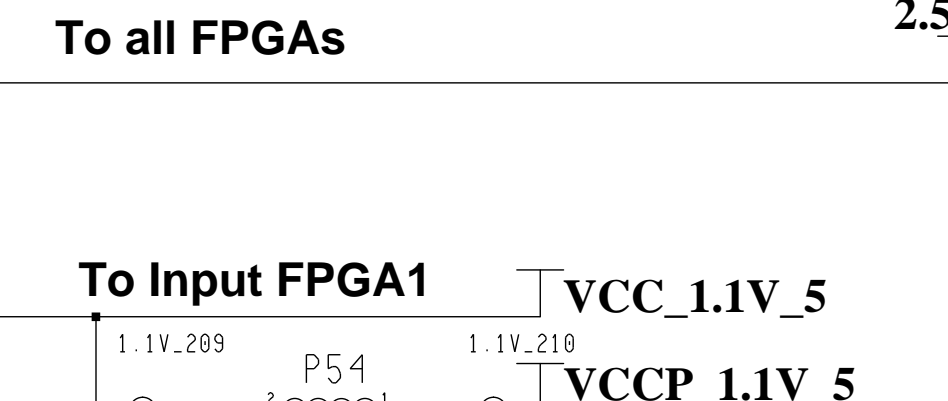
**Sheet 9-2**  
**Power 24A**



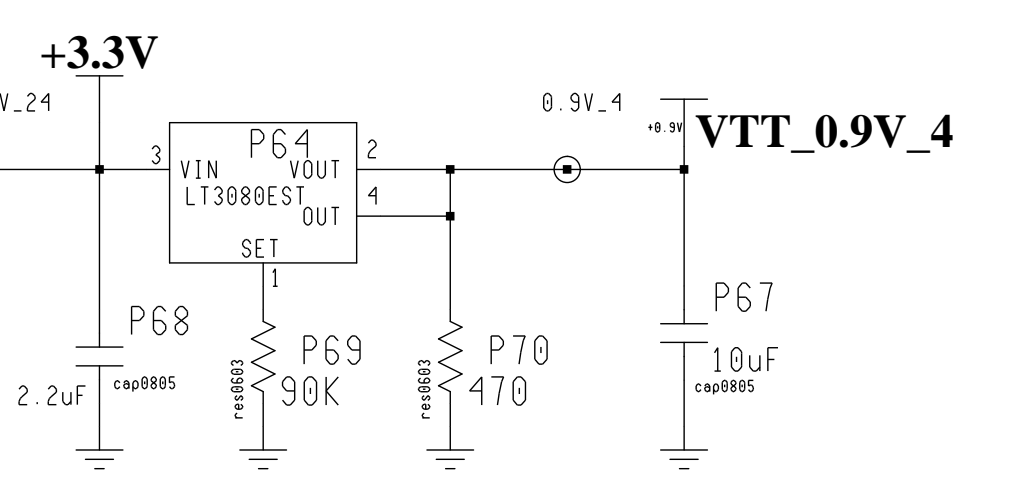
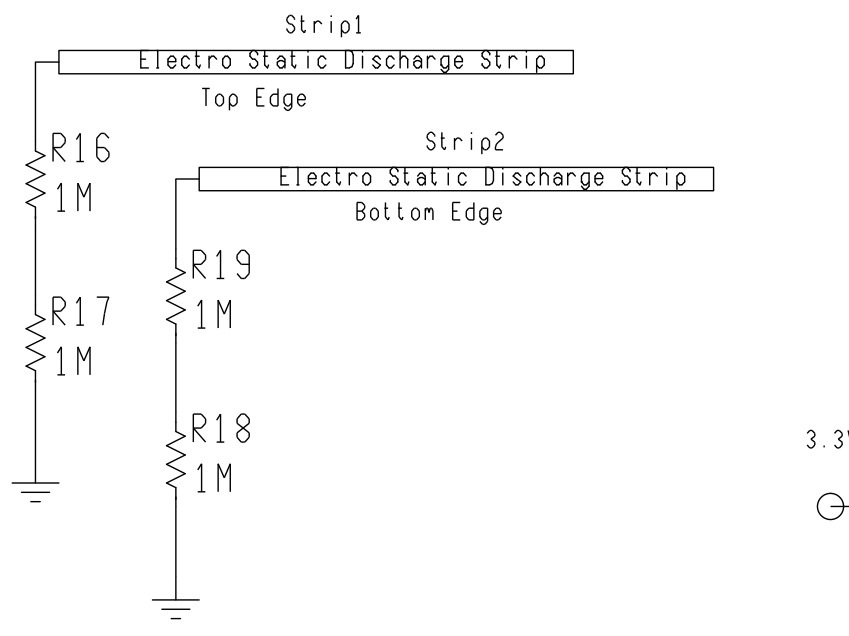
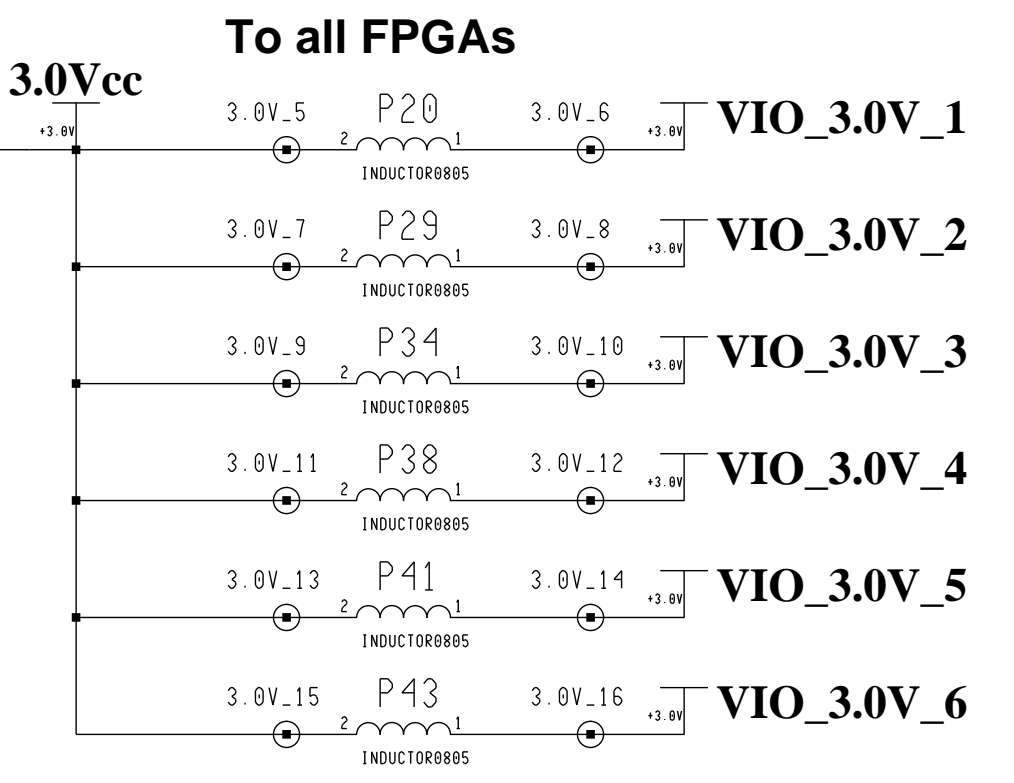
**Sheet 9-4**  
**Power 24A**



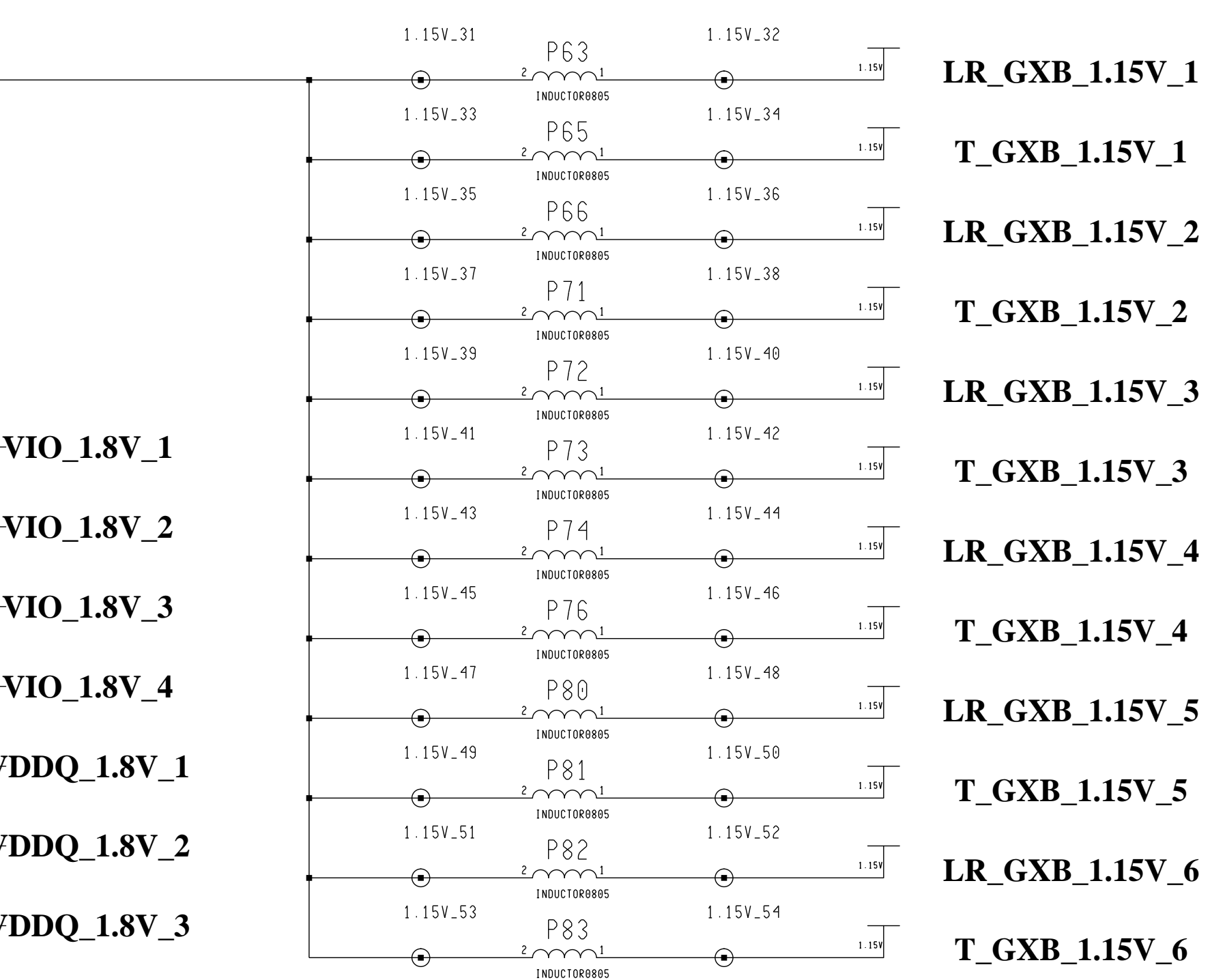
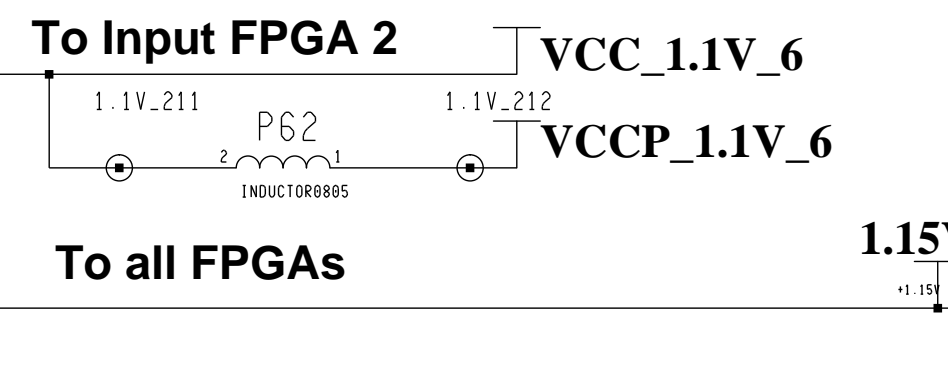
**Sheet 10-1**  
**Power 2x12A**



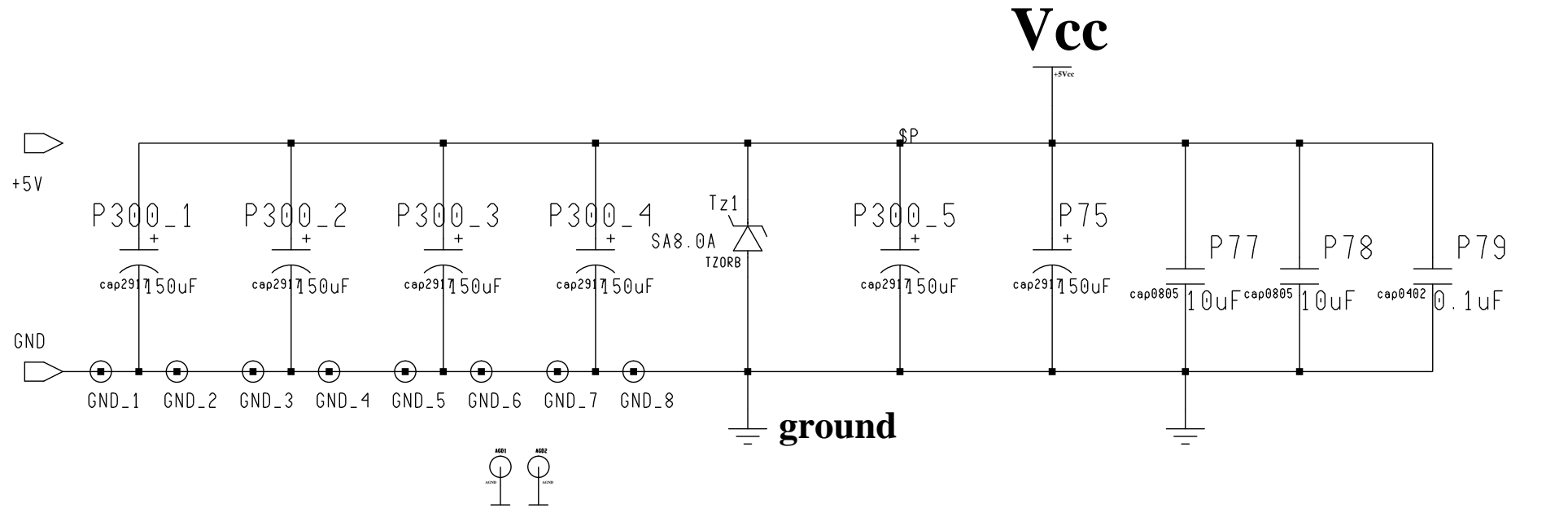
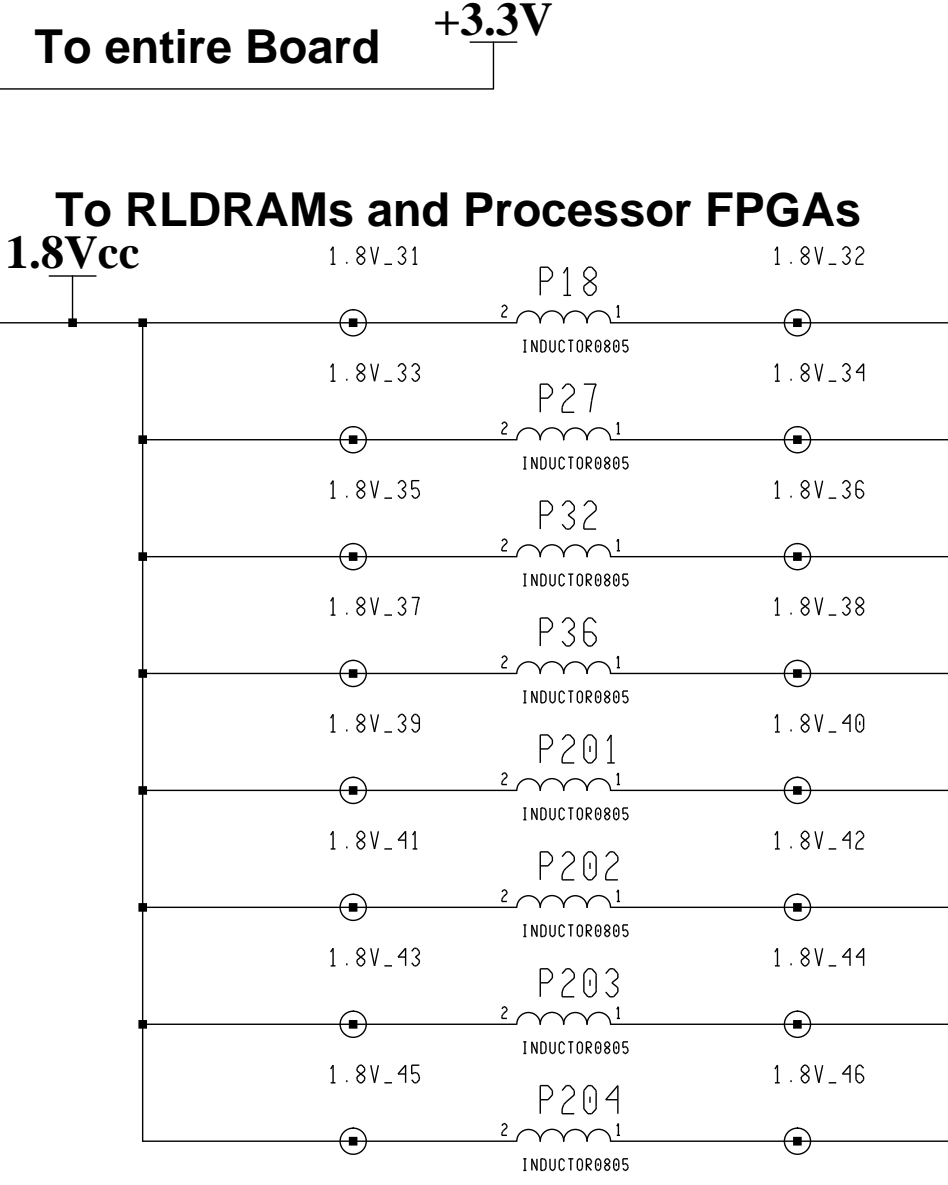
**Sheet 11**  
**Power 1x12A**



**Sheet 10-3**  
**Power 2x12A**



**Sheet 10-2**  
**Power 2x12A**



Engineer	M.Bogdan	The University of Chicago 5640 S. Ellis Ave. Chicago, IL 60637	
Drawn by	M.Bogdan		
R&D CHK		TITLE	Size
DATE:	1/15/13	<b>Power Supplies</b> <b>FTK-AM-AUX Card</b>	C
TIME:	11:17 am		
REV	A	DRW.	2808
		Sheet	8