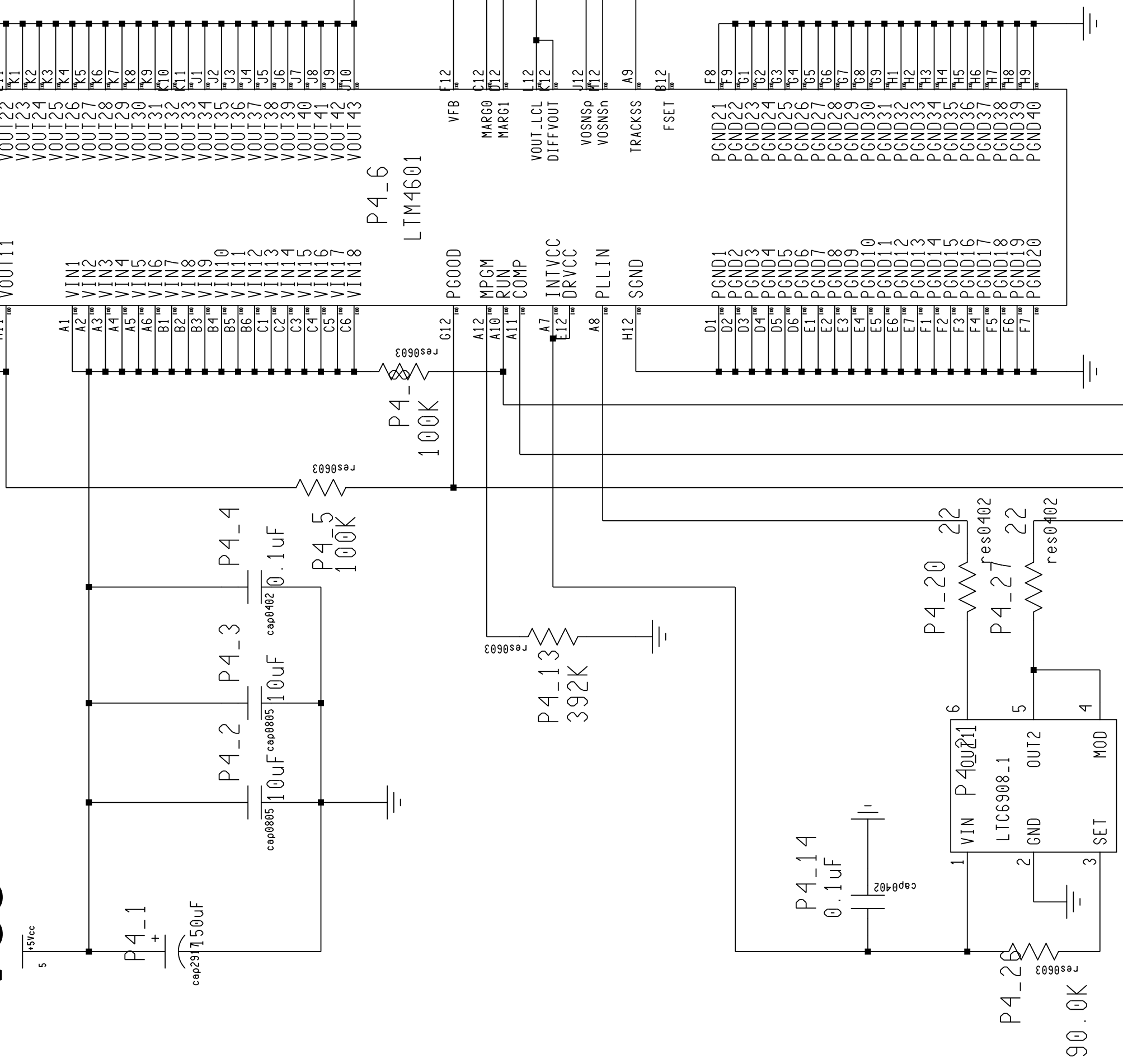
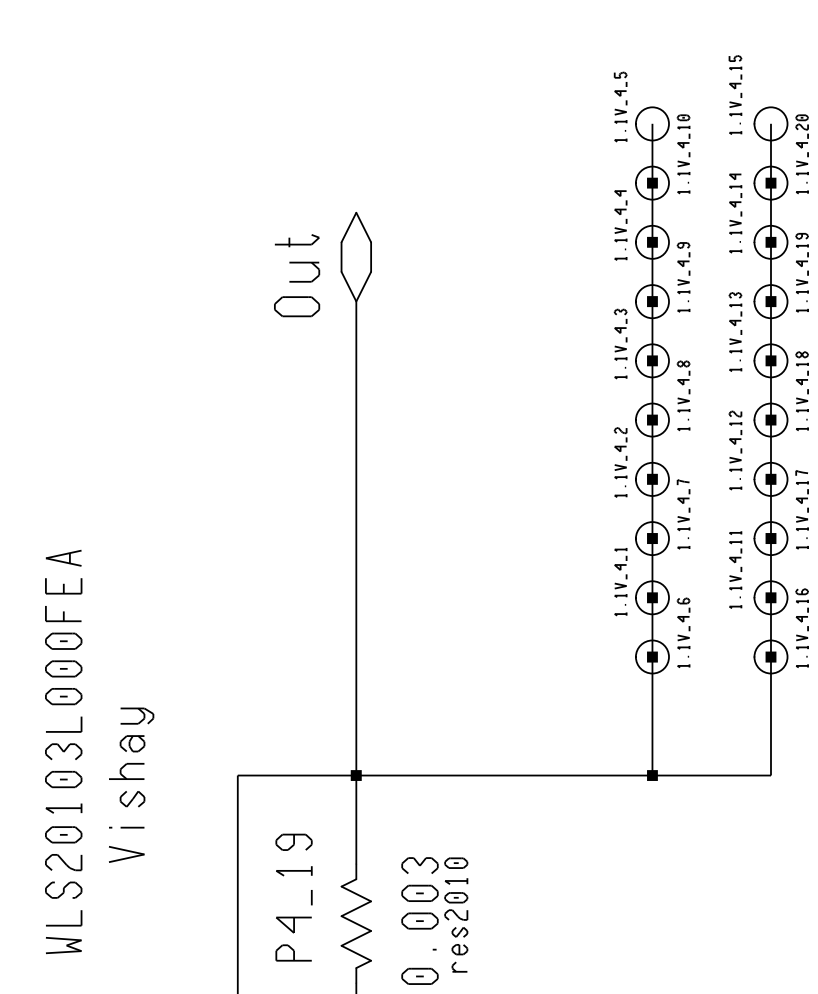


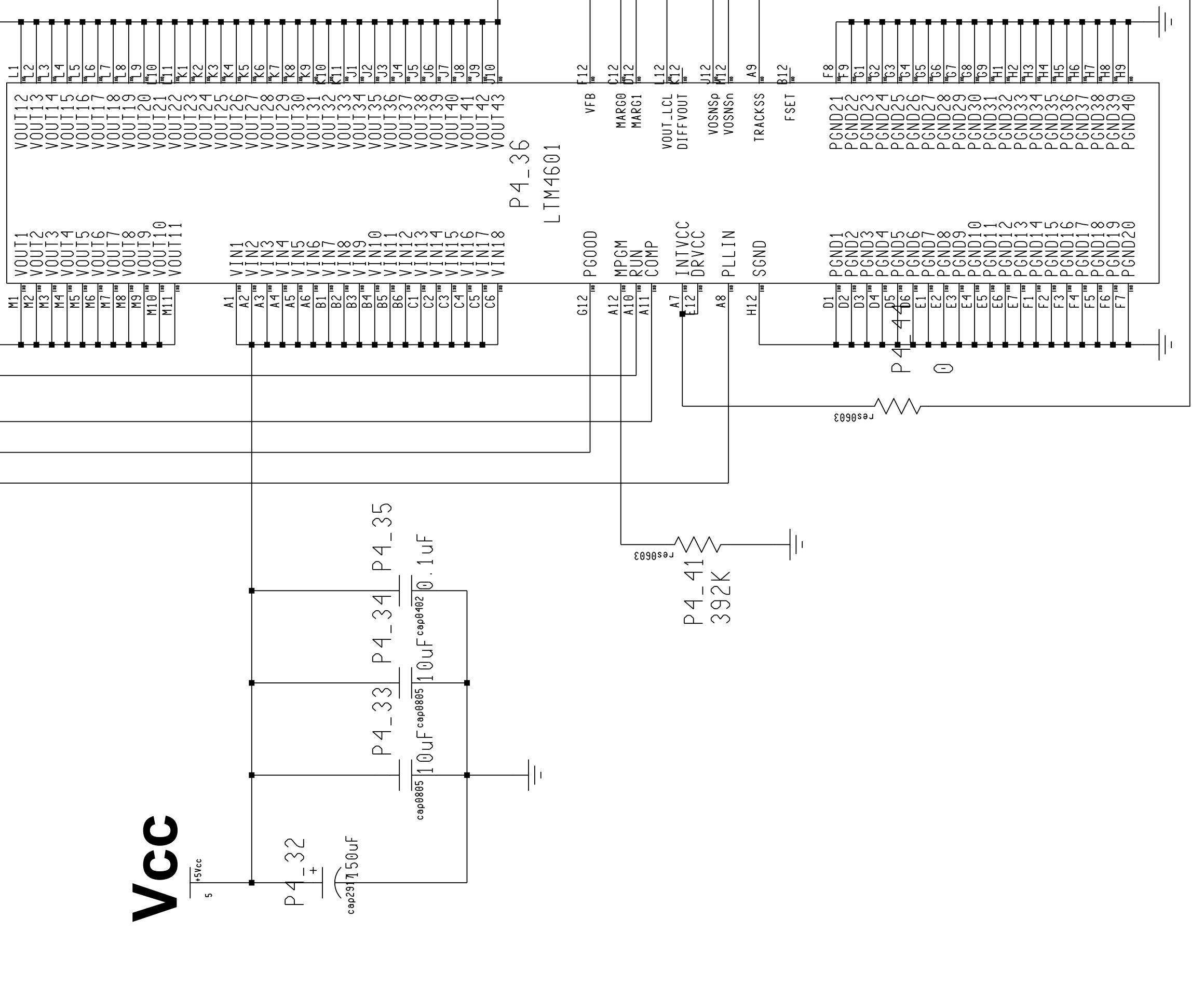
VCC



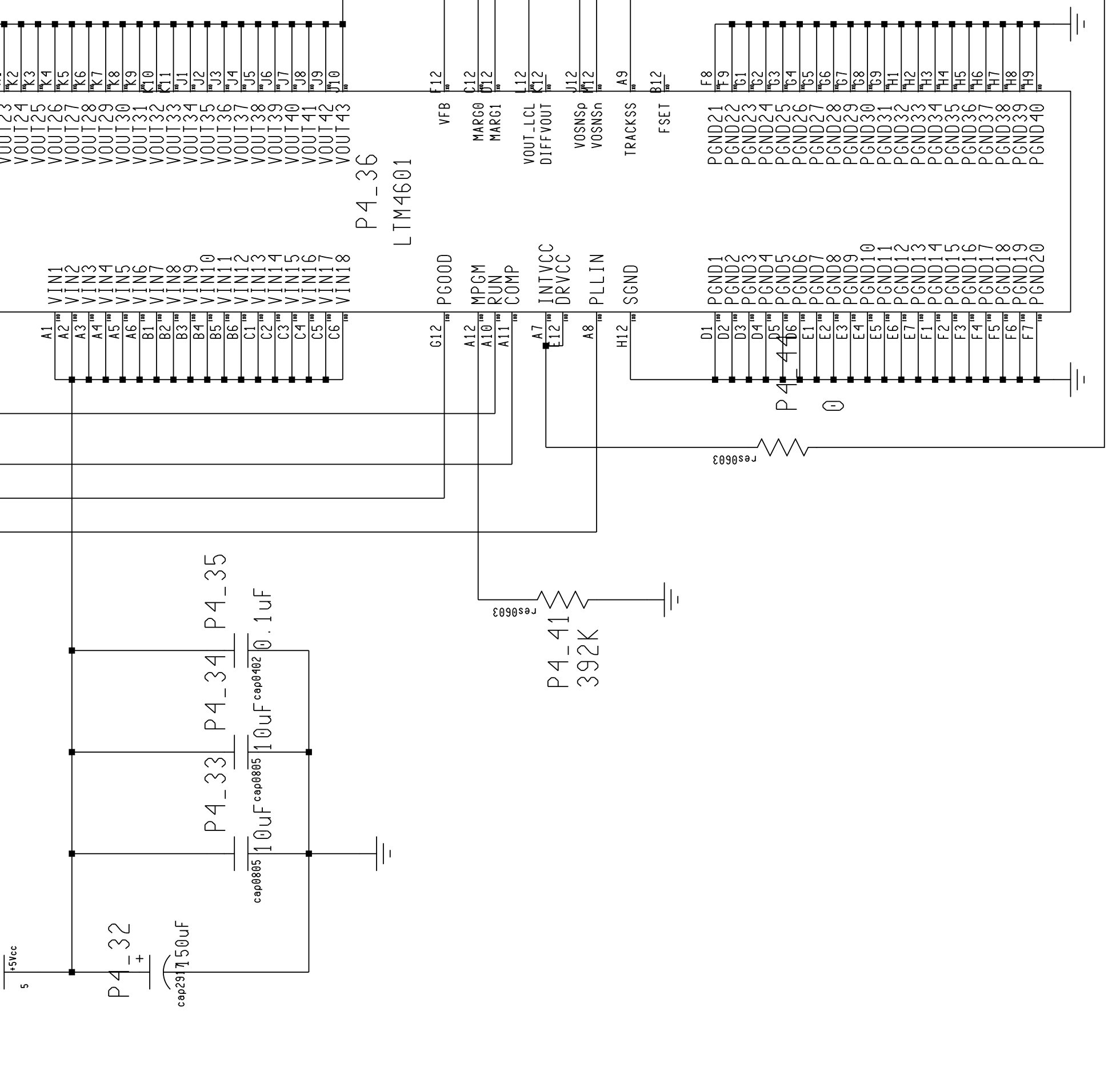
1.1VCC
24A max



+3.3V +3.3V



VCC



C4532XR0J107M
Ceramic 100uF/6.3V
TDK

T520D477M006ATE025
Tantalum 470uF/6.3V
Kenet

Engineer	M.Bogdan	REV	A
Drawn by	M.Bogdan	DRW.	2808
R&D CHK		TITLE	Power Supply
DATE:	3/25/13	Size	Sheet 9_4
TIME:	11:17 am		

The University of Chicago
5640 S. Ellis Ave.
Chicago, IL 60637

FTK-AM-AUX Card