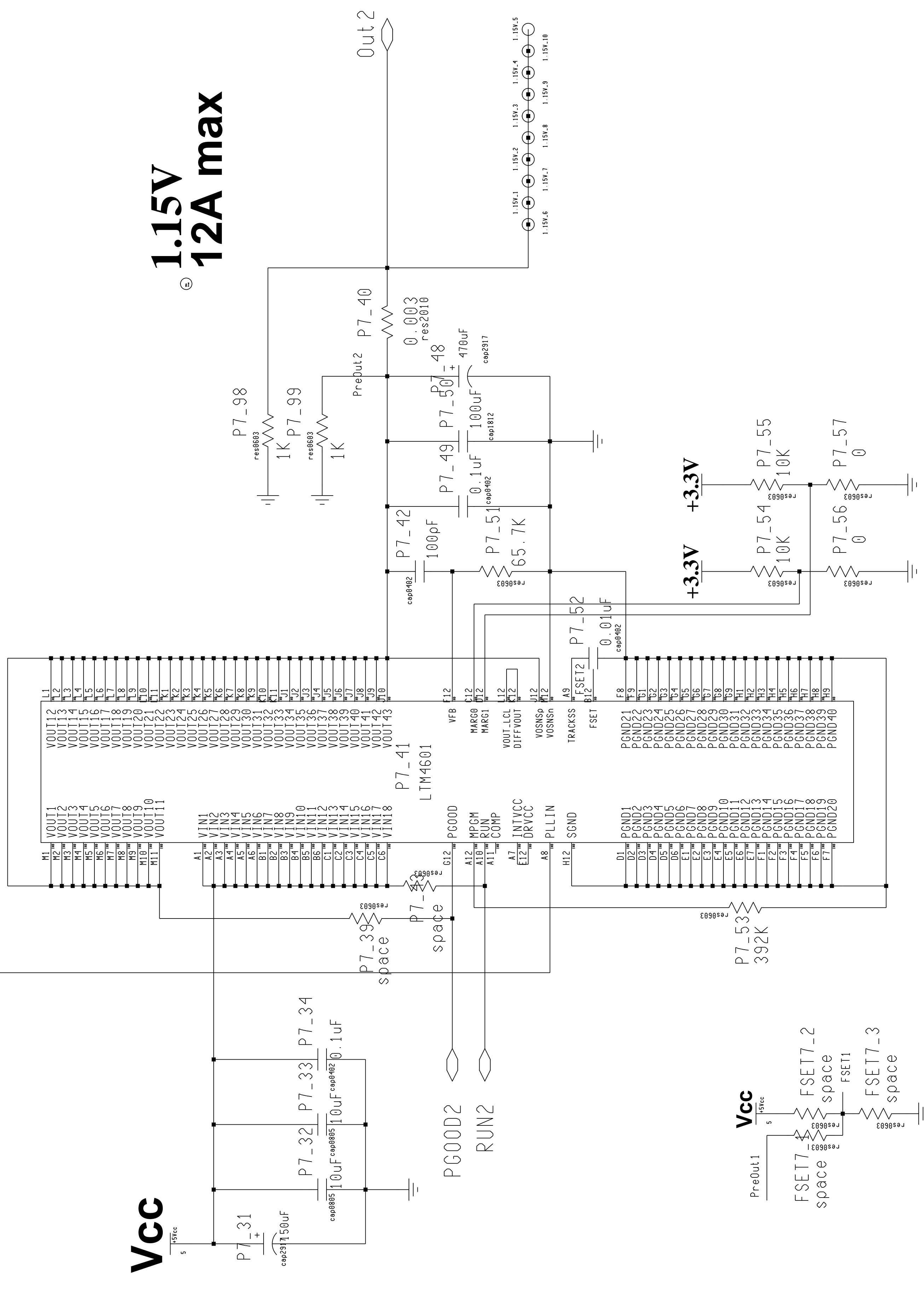
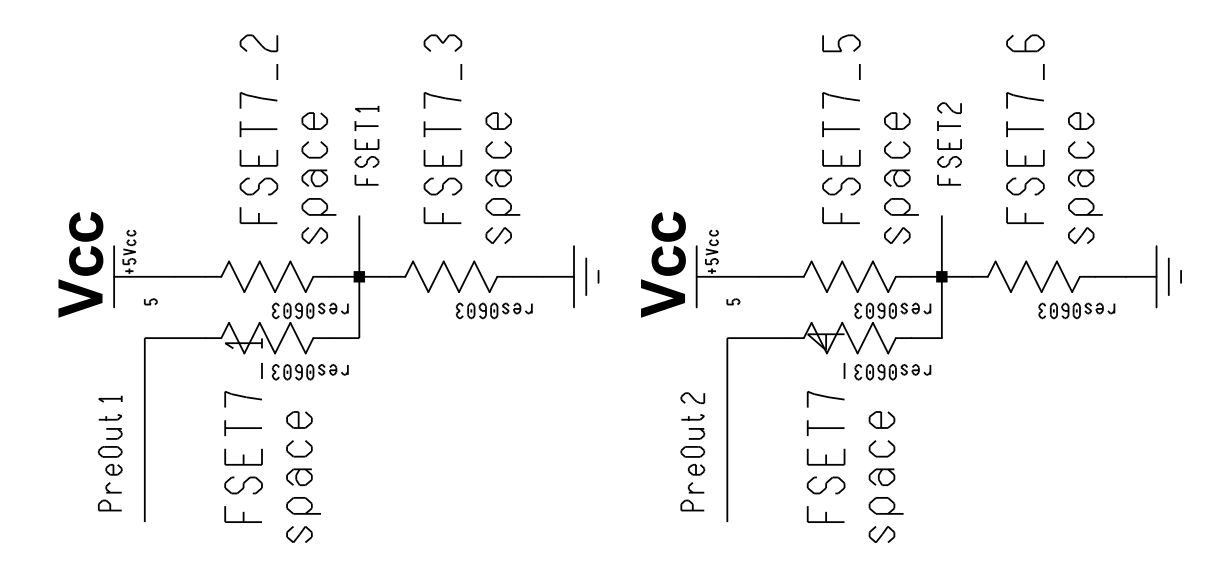


1.1V_6
12A max



1.15V
12A max



Engineer	M.Bogdan
Drawn by	M.Bogdan
R&D CHK	
DATE:	3/14/14
TIME:	11:17 am
Engineer	M.Bogdan
Drawn by	M.Bogdan
R&D CHK	
DATE:	3/14/14
TIME:	11:17 am
The University of Chicago 5640 S. Ellis Ave. Chicago, IL 60637	
POWER SUPPLY FTK-AM-AUX Card	
REV	B
DRW.	2808
Sheet 10_3	