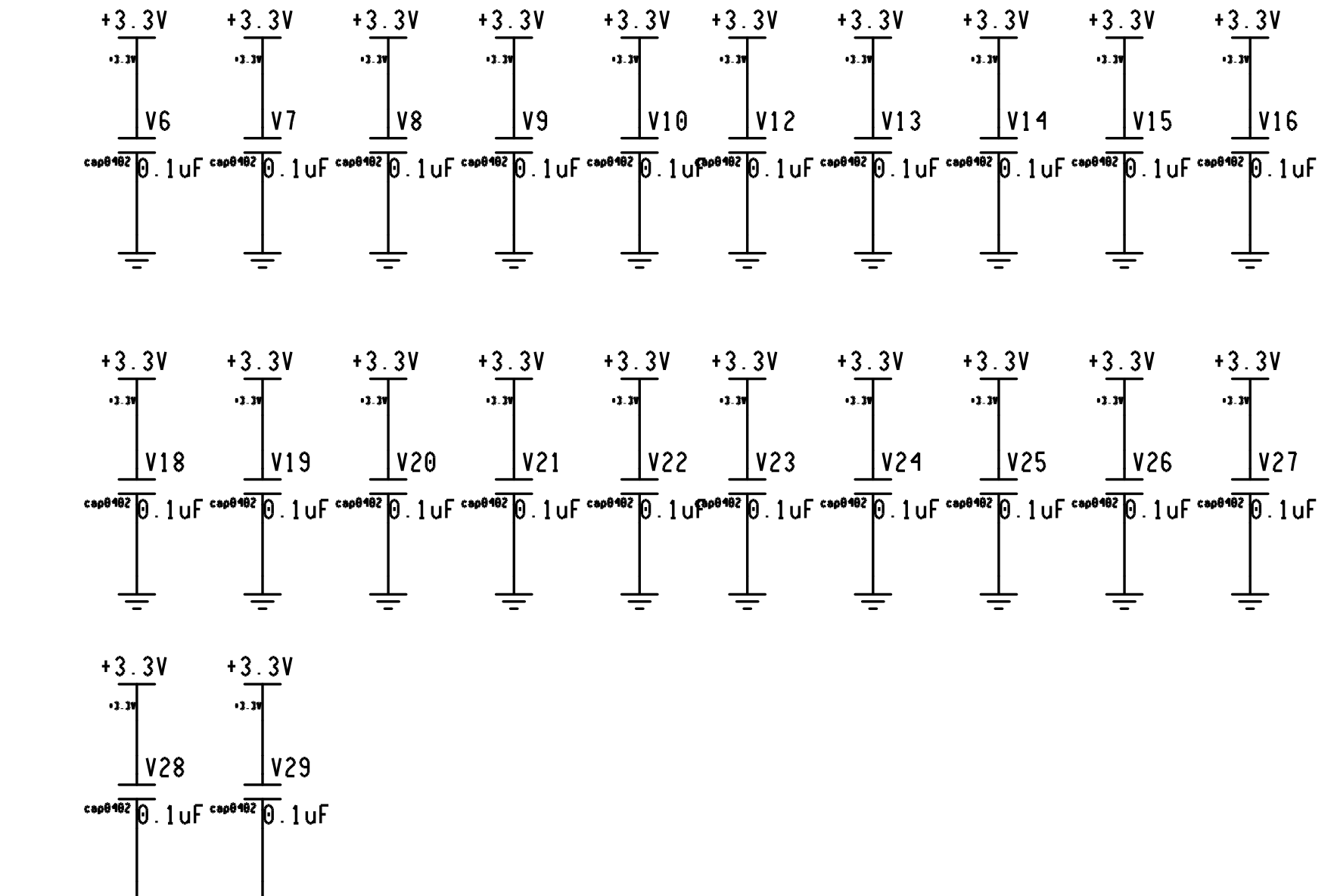
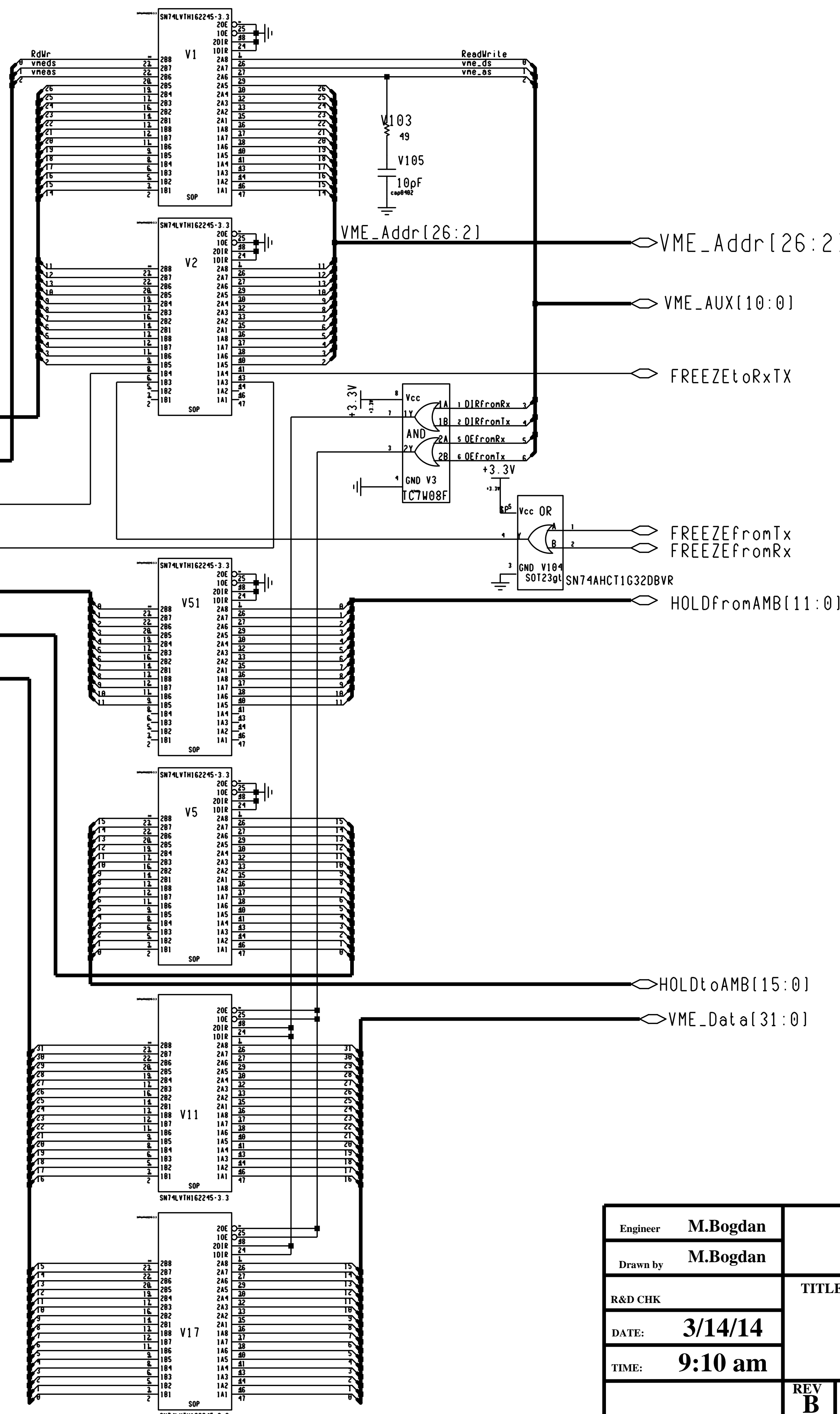


Sheet 3
 VME_Addr[26:2]
 VME_AUX[2:0]
 VME_P2(159:0)
 FREEZEtoRxTx
 FREEZEfromRxTx
 HOLDtoTx[11:0]
 HOLDfromRx[15:0]
 VME_Data[31:0]
RP2 Connector



Engineer	M.Bogdan	The University of Chicago 5640 S. Ellis Ave. Chicago, IL 60637	
Drawn by	M.Bogdan		
R&D CHK		TITLE	Size
DATE:	3/14/14	VME P2 Interface FTK-AM-AUX Card	c
TIME:	9:10 am		
REV	B	DRW.	2808 Sheet 2