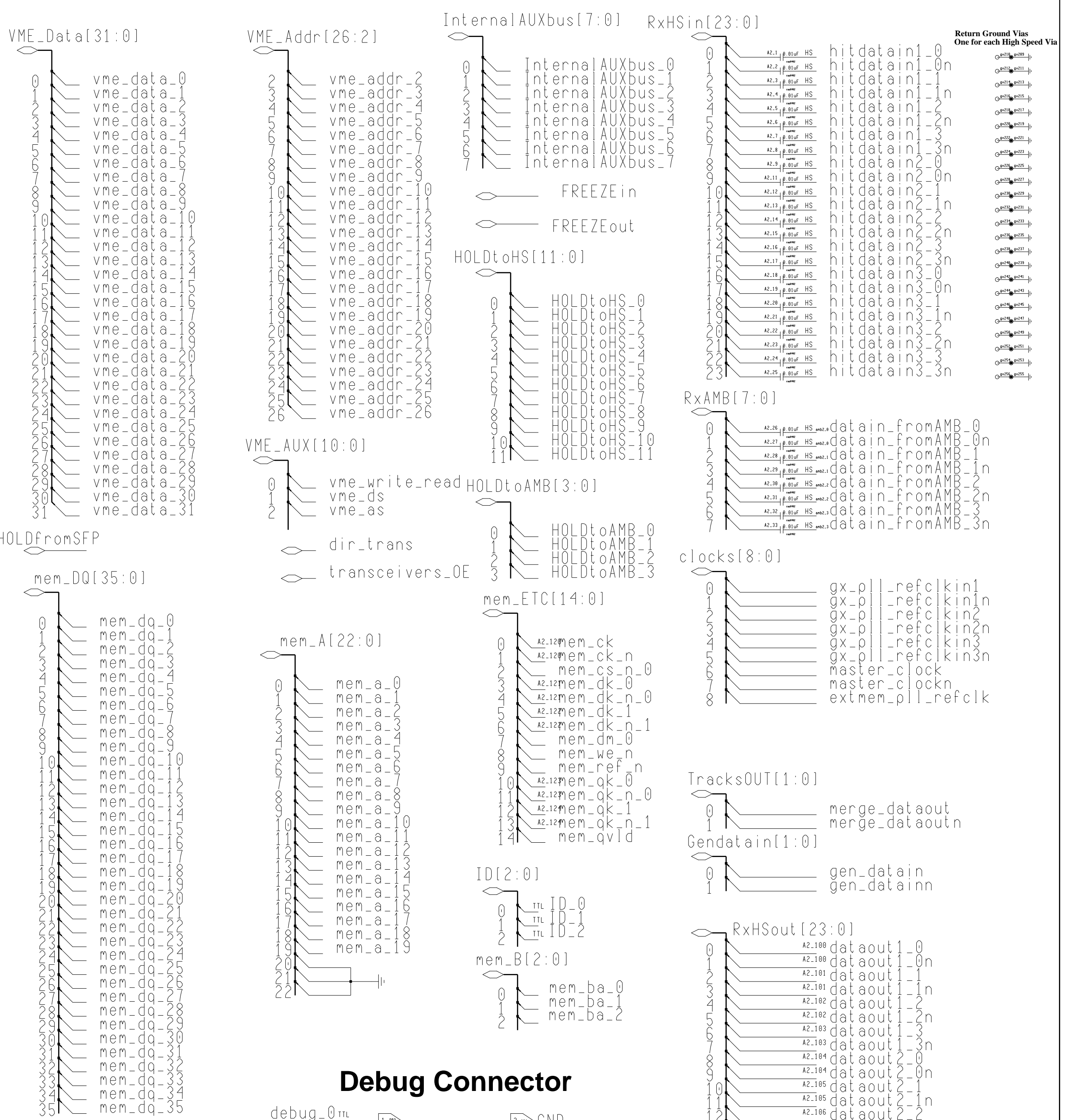
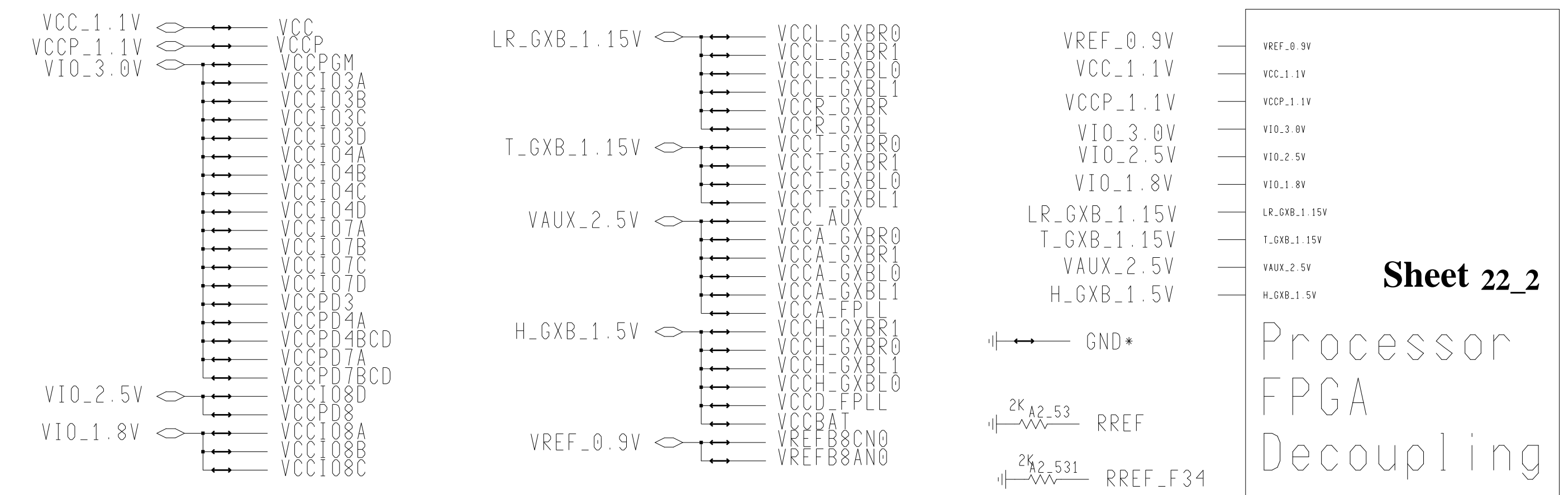


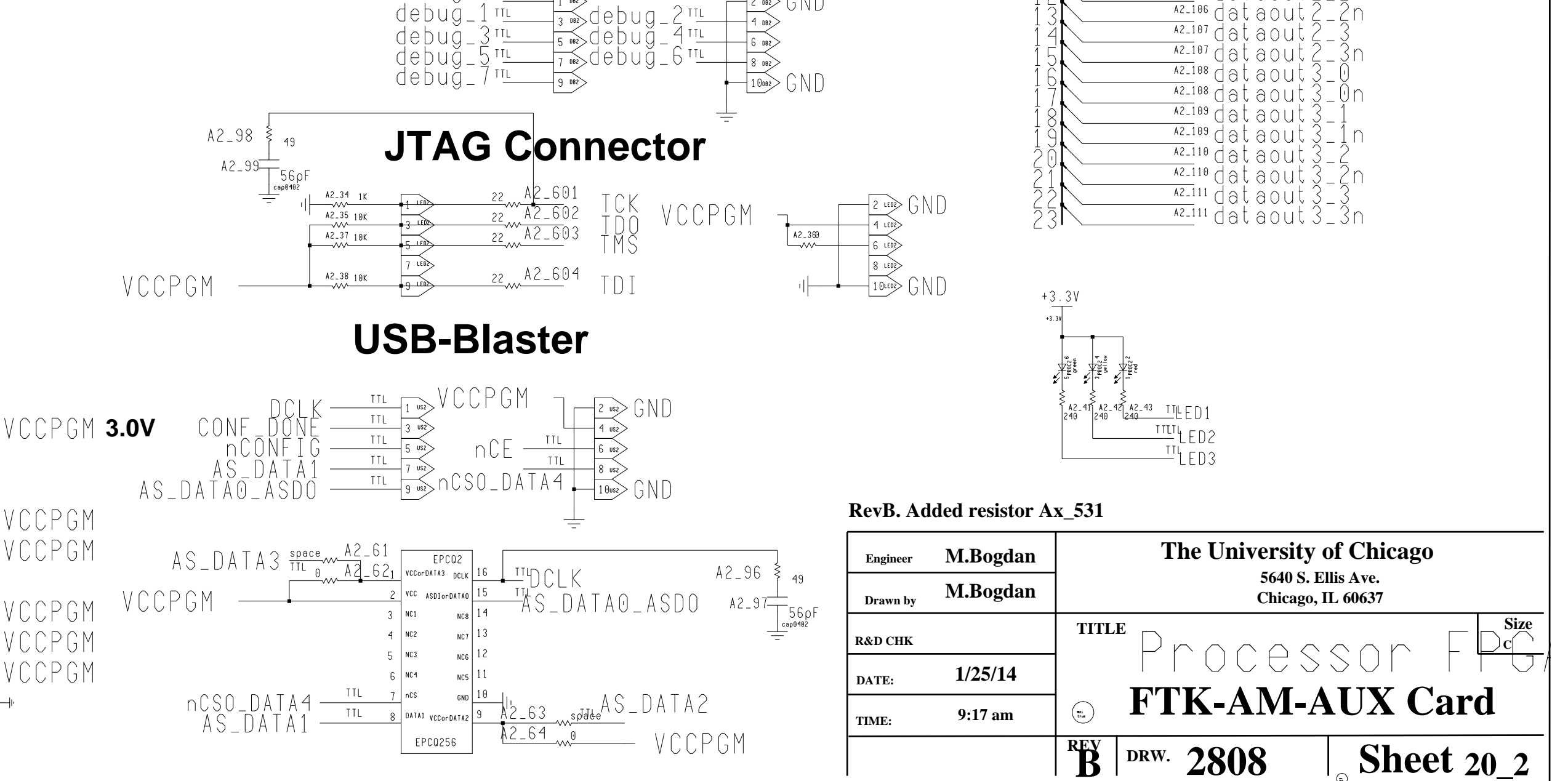
A2_10



A2_10



A2_10



Sheet 22_2

Processor
FPGA
Decoupling

RevB. Added resistor Ax_531		The University of Chicago 5640 S. Ellis Ave. Chicago, IL 60637	
Engineer	M.Bogdan	DATE:	1/25/14
Drawn by	M.Bogdan	TIME:	9:17 am
R&D CHK		TITLE	Processor FPGA
		TITLE	FTK-AM-AUX Card
		REV	B
		DRW	2808
			Sheet 20_2