

1

2

3

4

A

A

B

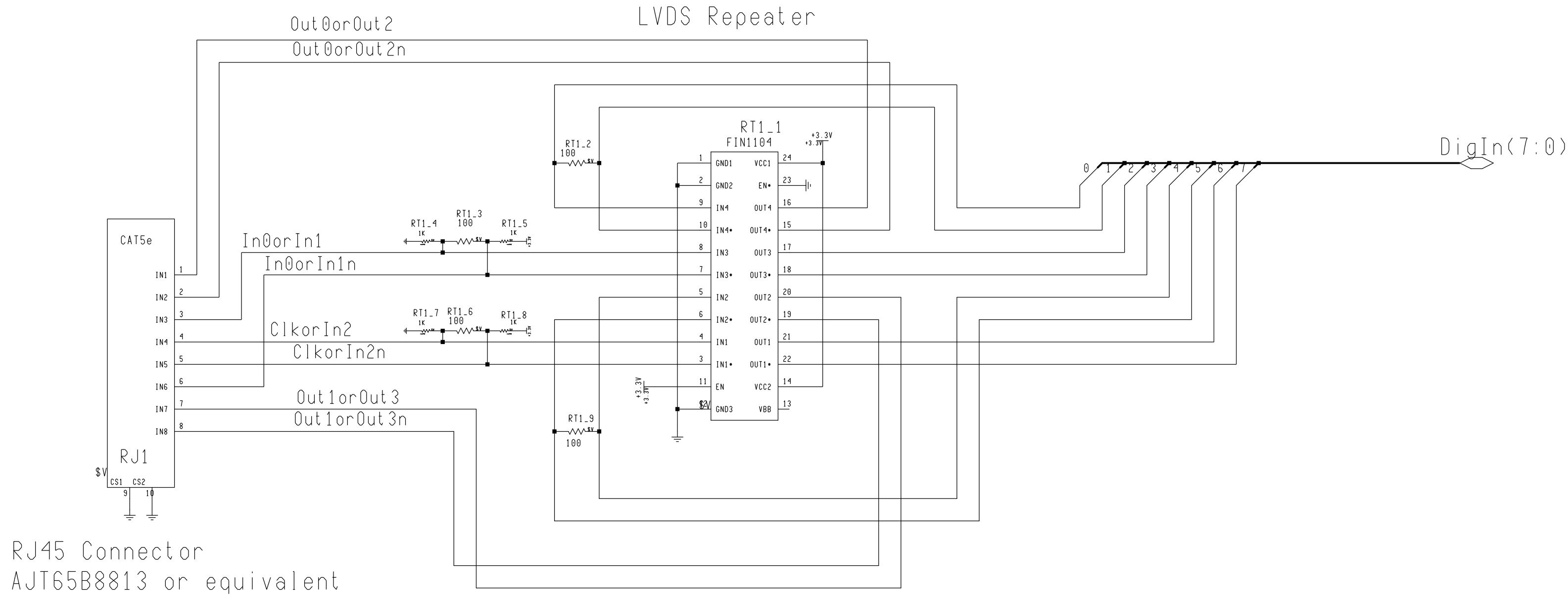
B

C

C

D

D



RJ45 Connector
AJT65B8813 or equivalent

Engineer	M. Bogdan	The University of Chicago 5620 S. Ellis Ave. Chicago, IL 60637	
Drawn by	M. Bogdan		
R&D CHK		TITLE	Size
DATE:	9/19/12	<i>16-Ch, GHz AC/DC ADC Module</i> Front Panel - dig	C
TIME:	1:30 pm		
QA CHK		REV A	DRW. 2793 Sheet 8-j

1

2

3

4