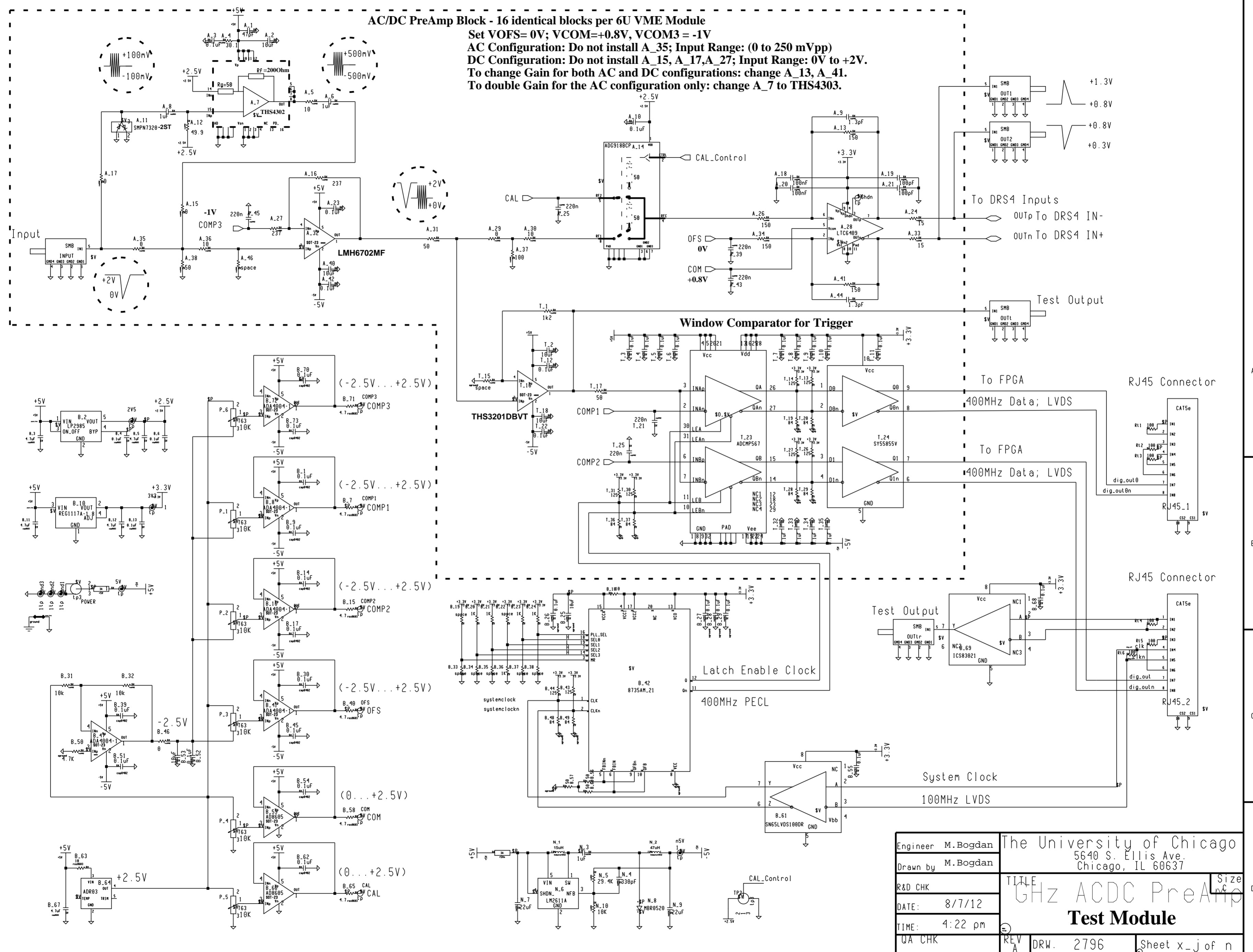


AC/DC PreAmp Block - 16 identical blocks per 6U VME Module

Set VOFS=0V; VCOM=+0.8V, VCOM3 = -1V
 AC Configuration: Do not install A_35; Input Range: (0 to 250 mVpp)
 DC Configuration: Do not install A_15, A_17, A_27; Input Range: 0V to +2V.
 To change Gain for both AC and DC configurations: change A_13, A_41.
 To double Gain for the AC configuration only: change A_7 to THS4303.



Engineer	M. Bogdan	The University of Chicago	
Drawn by	M. Bogdan	5640 S. Ellis Ave.	
R&D CHK		Chicago, IL 60637	
DATE:	8/7/12	TITLE	GHz ACDC PreAmp
TIME:	4:22 pm	Size	
QA CHK		Test Module	
REV	A	DRW.	2796
		Sheet x-j of n	