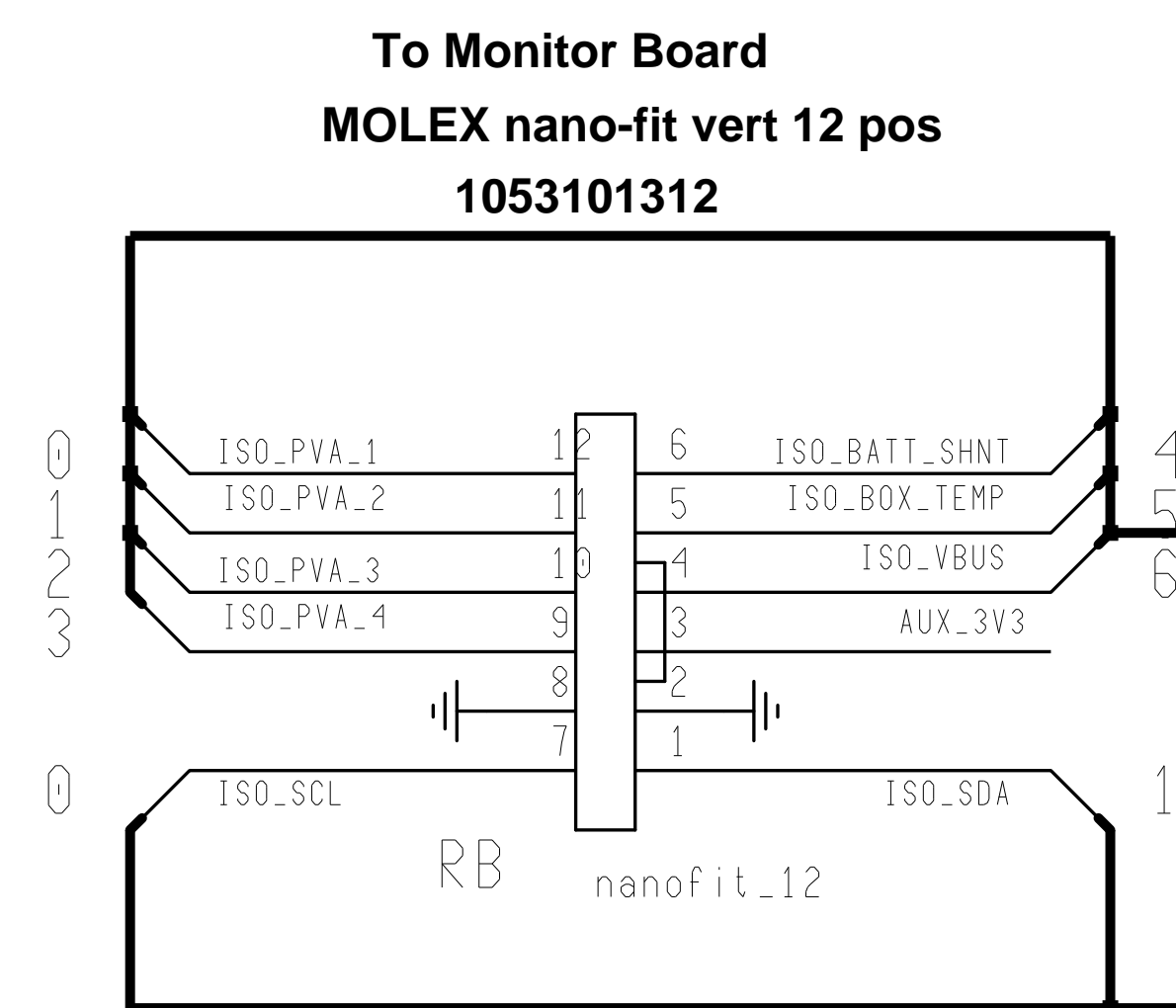


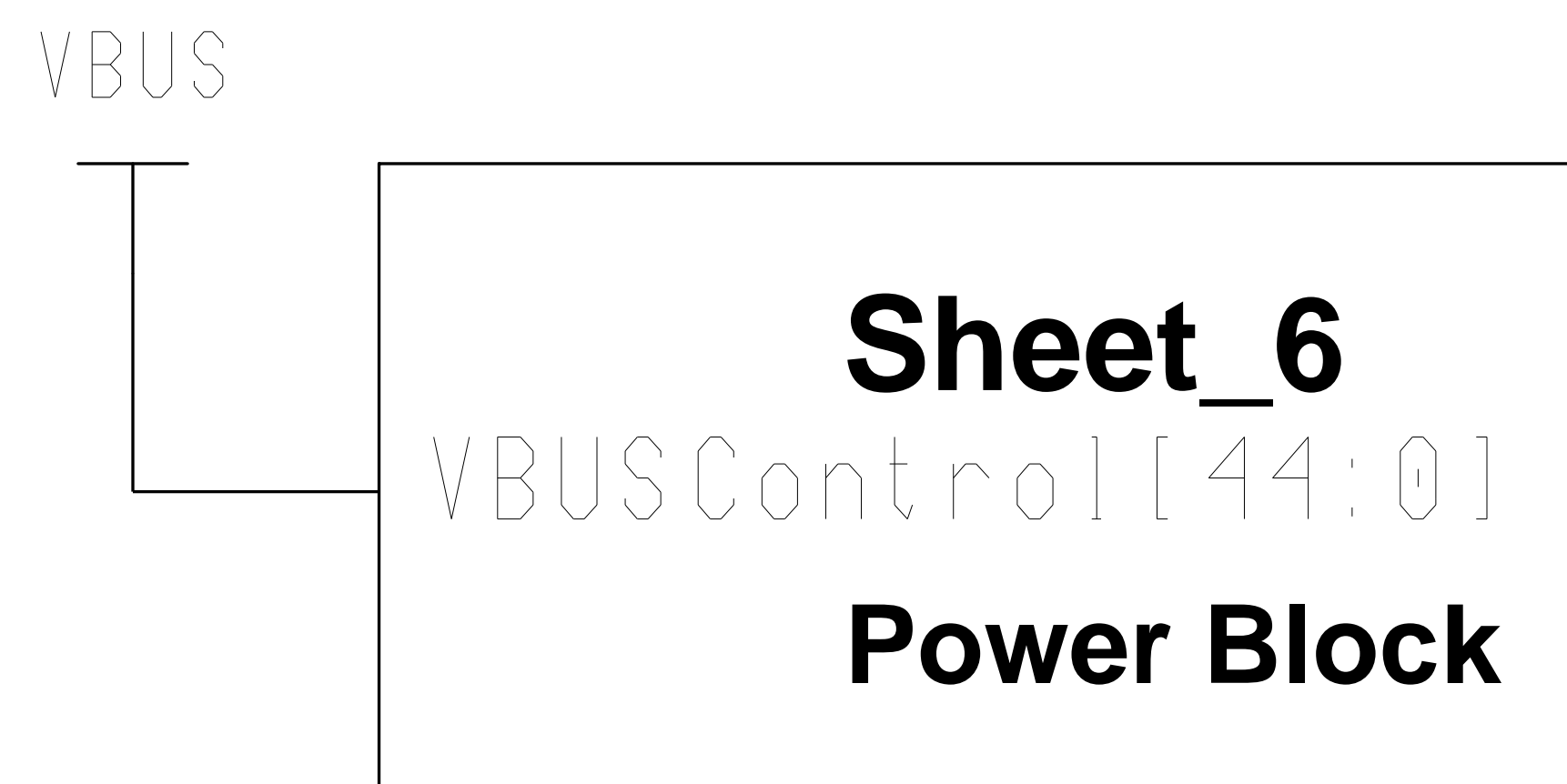
Sheet\_2  
 Sheet\_3\_1,....,4  
 Sheet\_4\_1,....,6  
 Sheet\_5

# PreRelayControl

I2C[1:0] Control[44:0] Local\_PVA[8:0]



Local\_PVA[8:0] Sheet\_7  
 PVA[6:0] Sheet\_8\_1,2  
 Sheet\_9\_1,....,12  
**Analog Buffers**

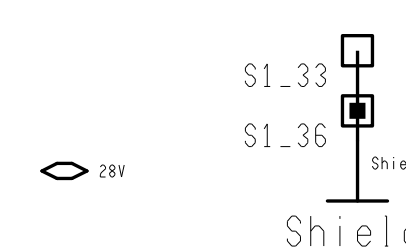


0\_I2C[1:0] Sheet\_11  
 Sheet\_12  
 1\_I2C[1:0] Sheet\_13  
 Control[44:0] Sheet\_14  
 Control Sheet\_15  
 Sheet\_16

I2C[1:0] Control[44:0]

Sheet\_10  
 Sheet\_3\_5,....,8

# PostRelayControl



SCH-2982  
 SPC-2983  
 ASM-2984

Engineer: M. Bogdan	The University of Chicago <i>HELIX Relay Box Board</i> Top Level		
Drawn by: M. Bogdan			
DATE: 3/10/2021	REV. A	DRW. 2982	Sheet 1