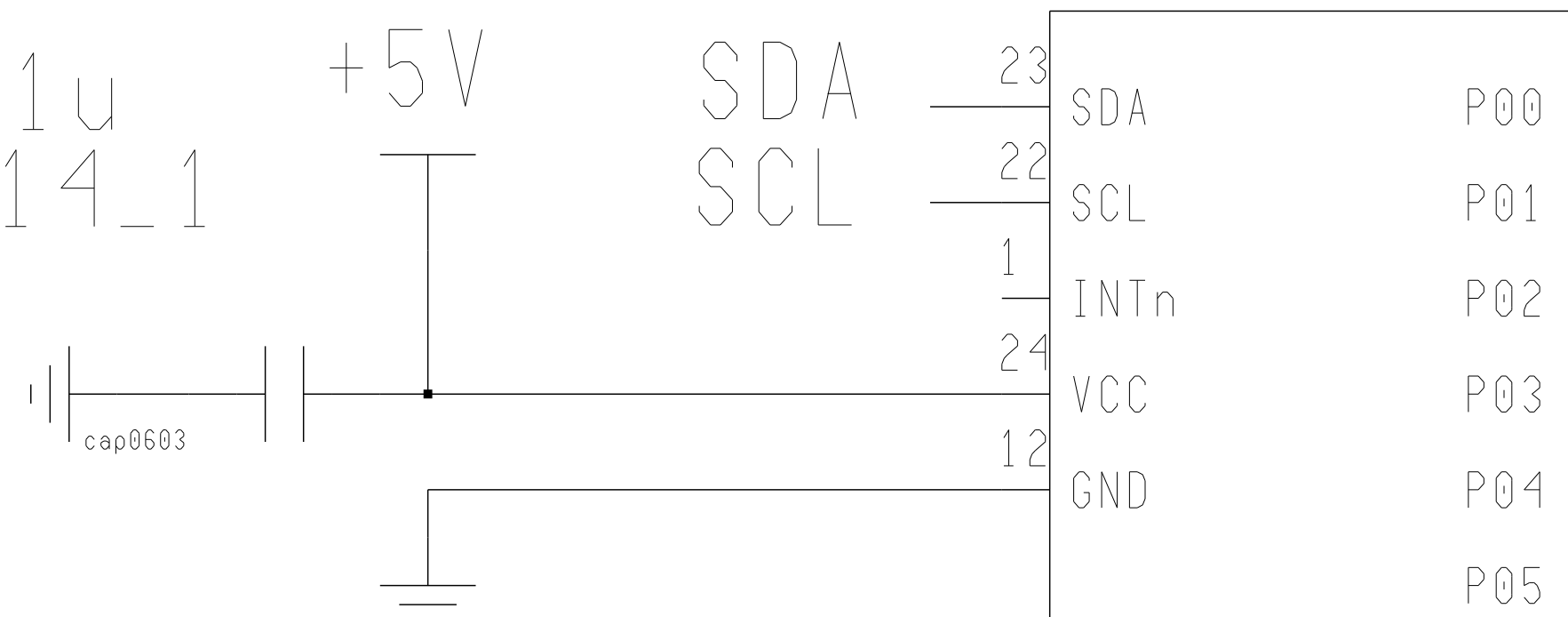
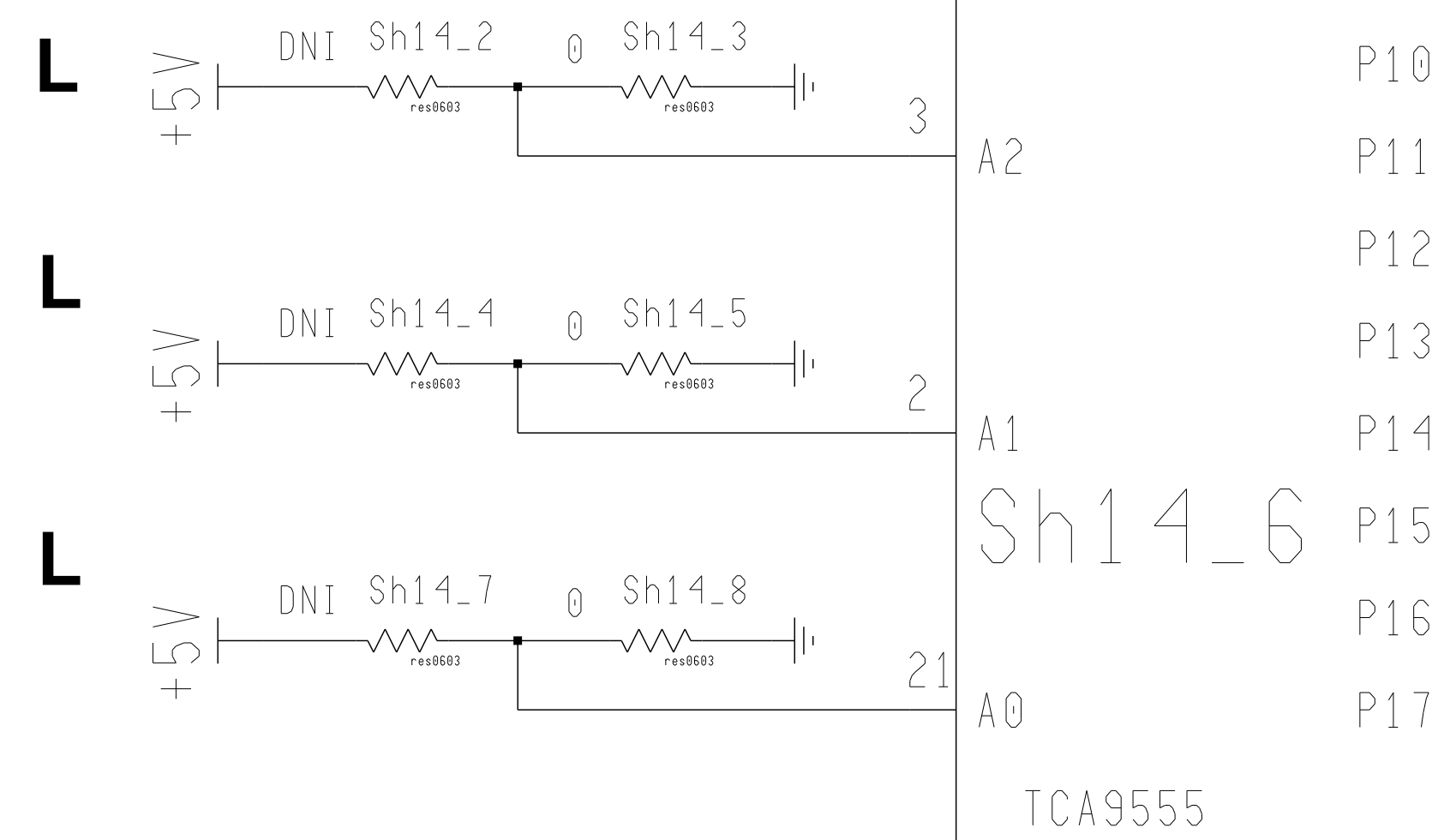


Control[OUT[44:0]

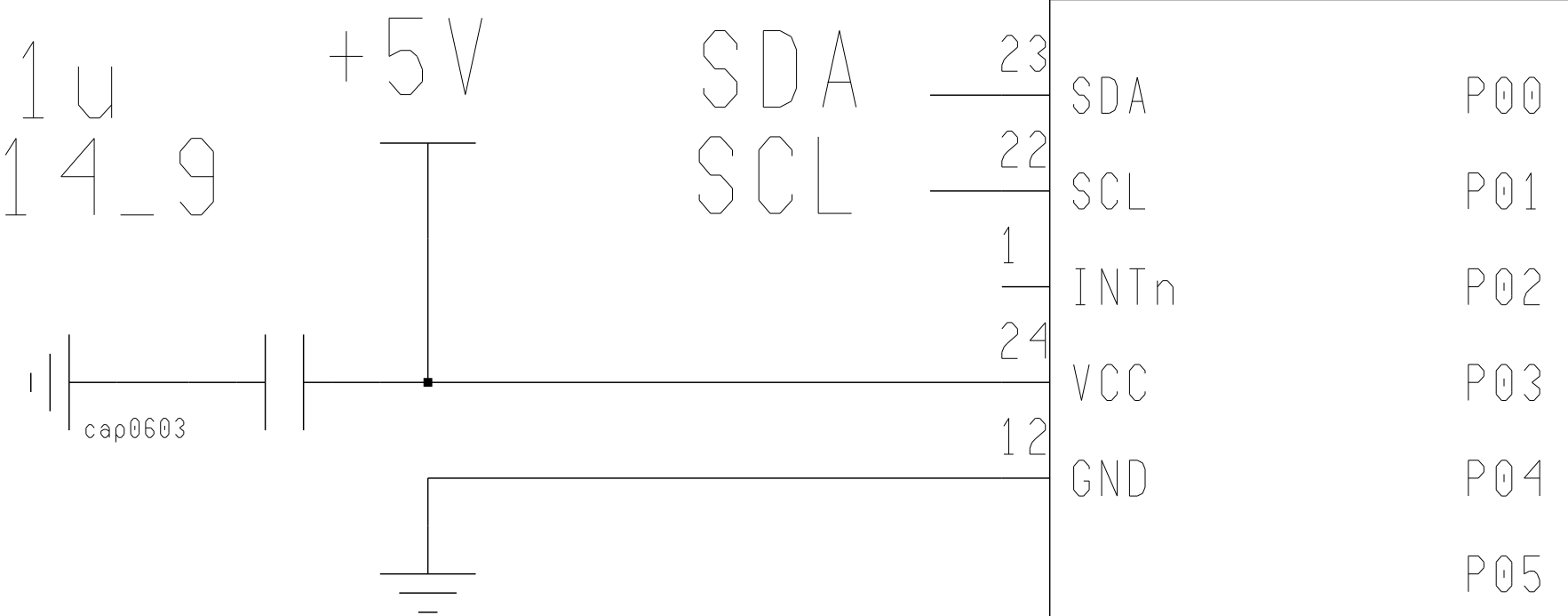
0.1u
Sh14_1



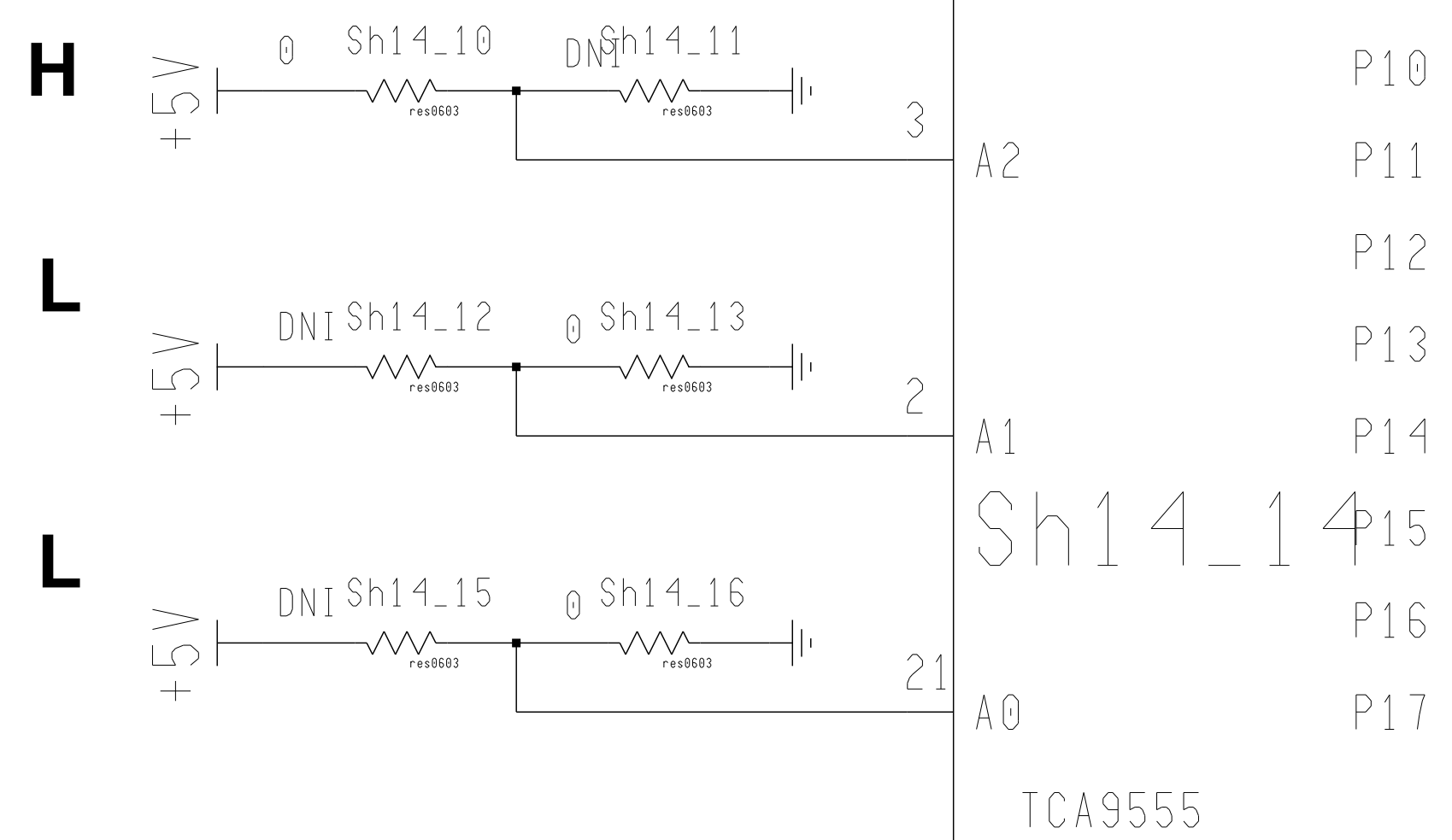
I2C Address



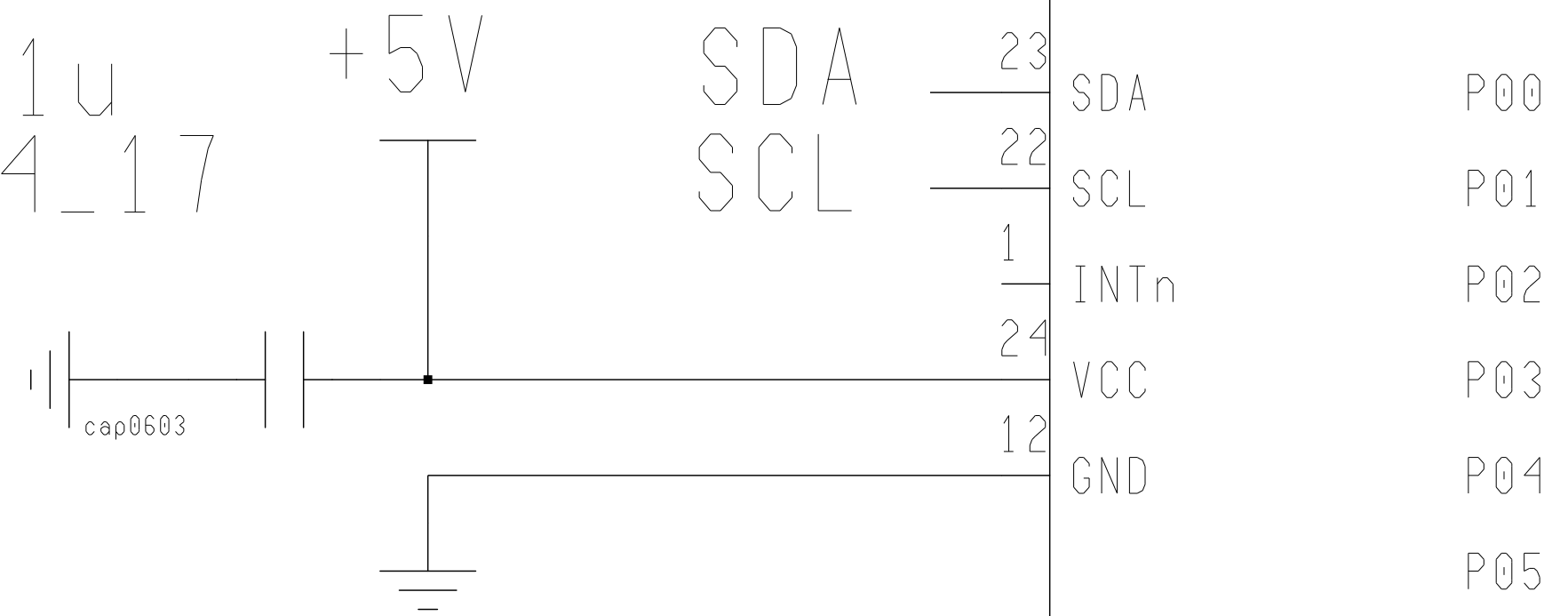
0.1u
Sh14_9



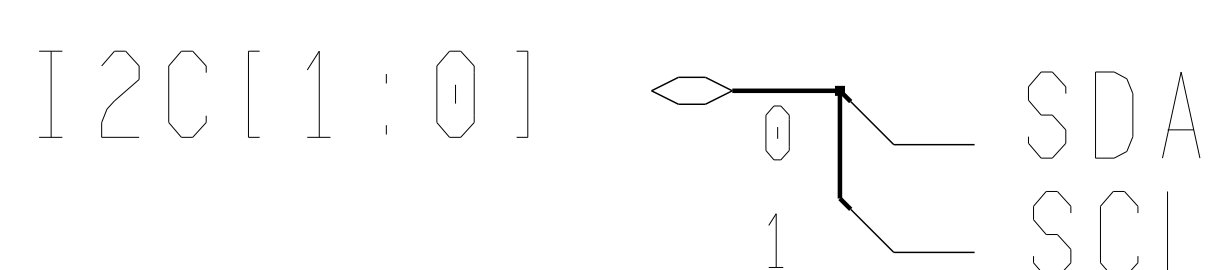
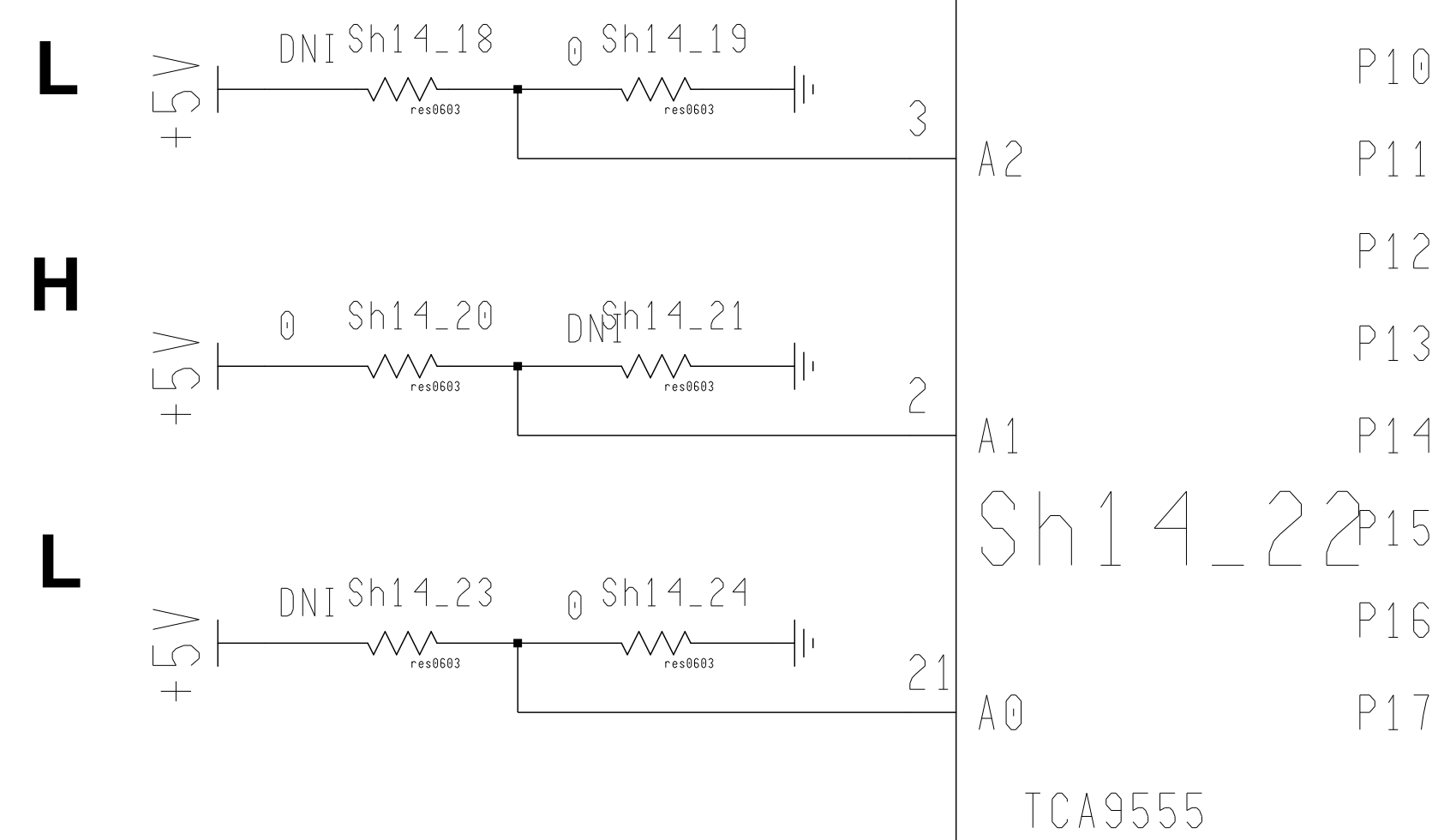
I2C Address



0.1u
Sh14_17



I2C Address



SCH-2982
SPC-2983
ASM-2984

Engineer: M. Bogdan
Drawn by: M. Bogdan
DATE: 2/24/2021

The University of Chicago
HELIX Relay Box Board
Expander Block

REV. A | DRW. 2982 | Sheet 14