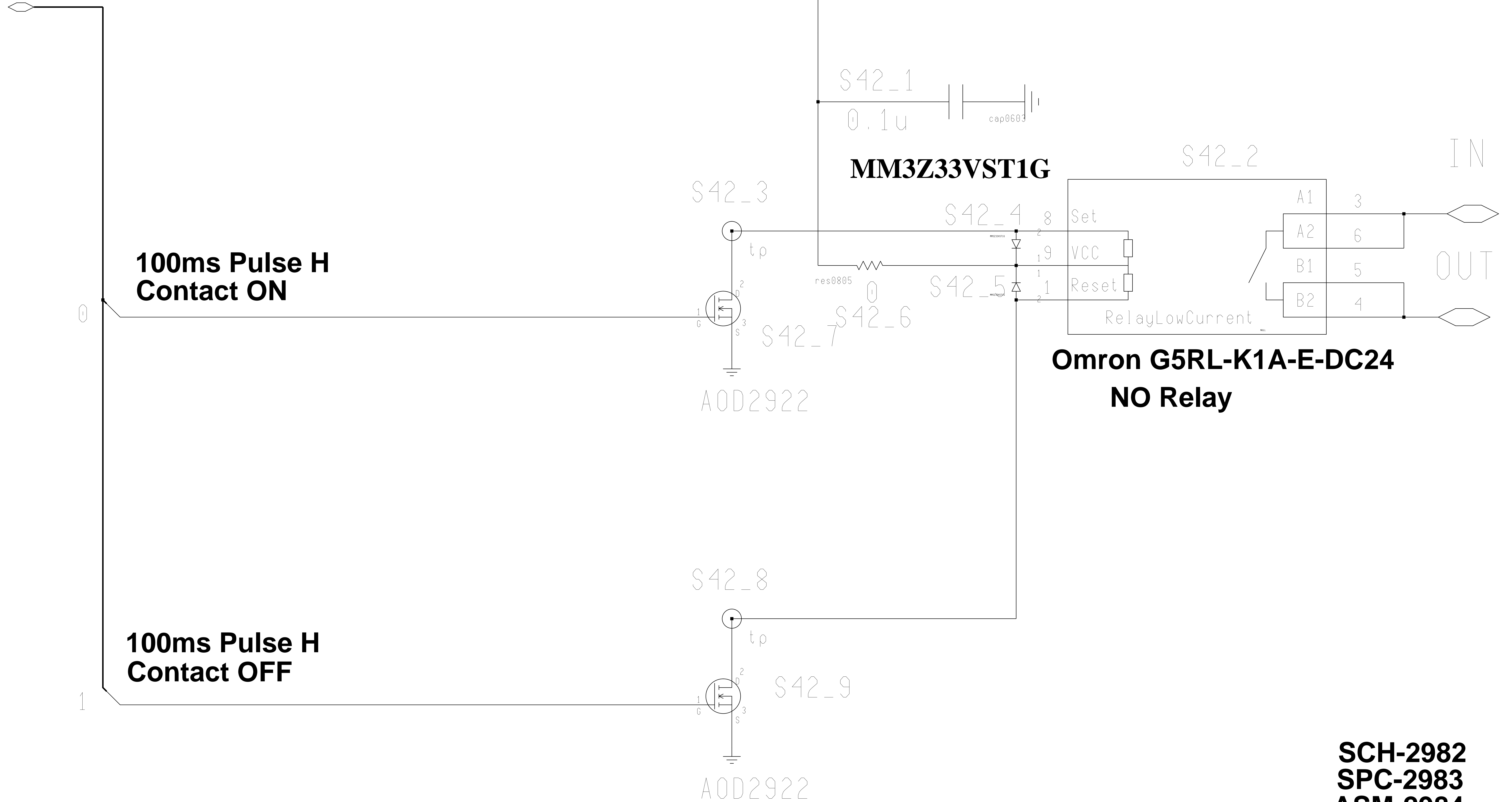


CT[1:0]

VBUS



Engineer: M. Bogdan	The University of Chicago <i>HELIX Relay Box Board</i> Low Current Relay - 1		
Drawn by: M. Bogdan			
DATE: 4/2/2021			
REV. A	DRW. 2982	Sheet	4_2