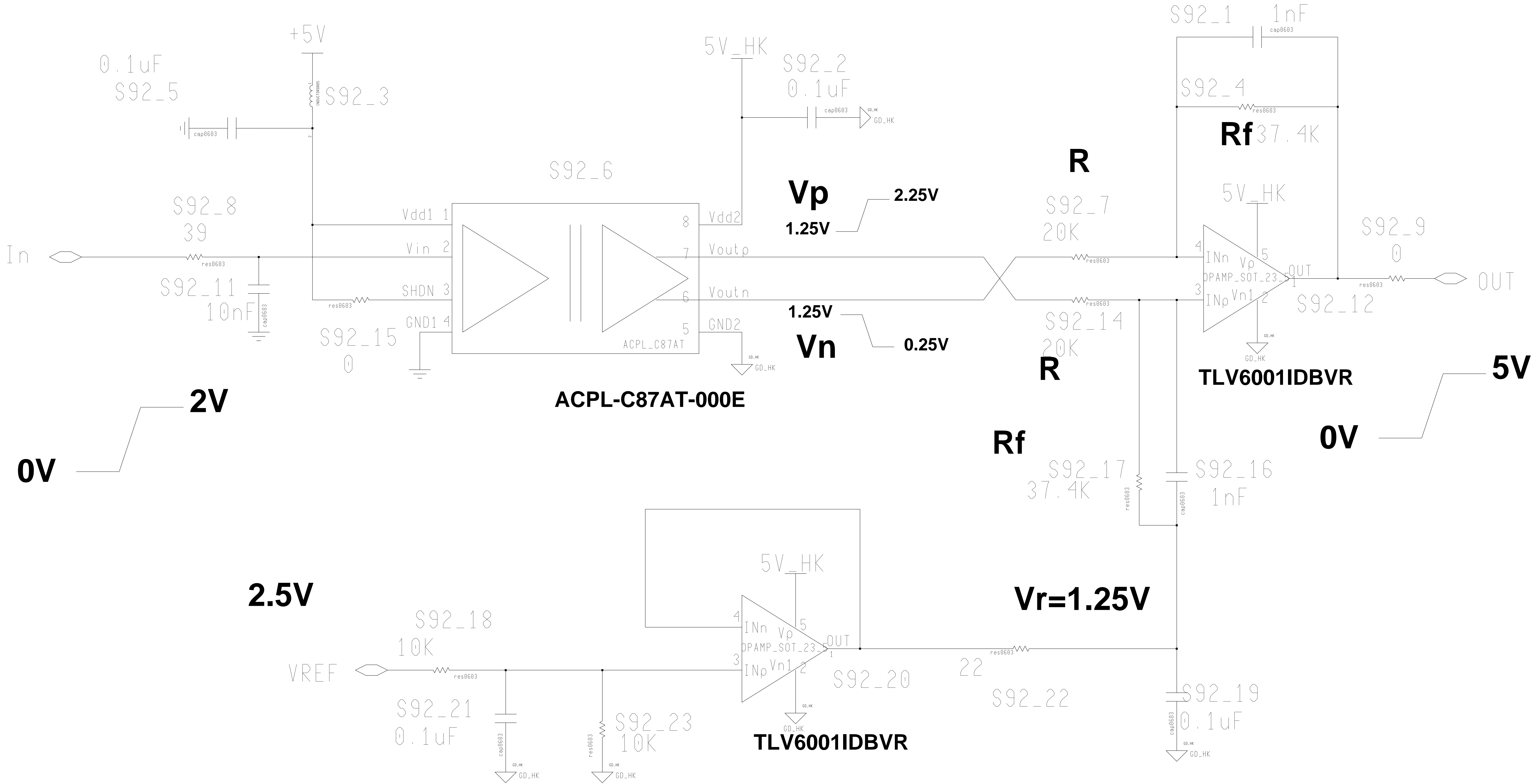


$$V_o = V_r + (V_p - V_n) * R_f / R$$



SCH-2982  
 SPC-2983  
 ASM-2984

Engineer: M. Bogdan  
 Drawn by: M. Bogdan  
 DATE: 3/22/2021

The University of Chicago  
 HELIX Relay Box Board  
 Isolated Amplifier - 1