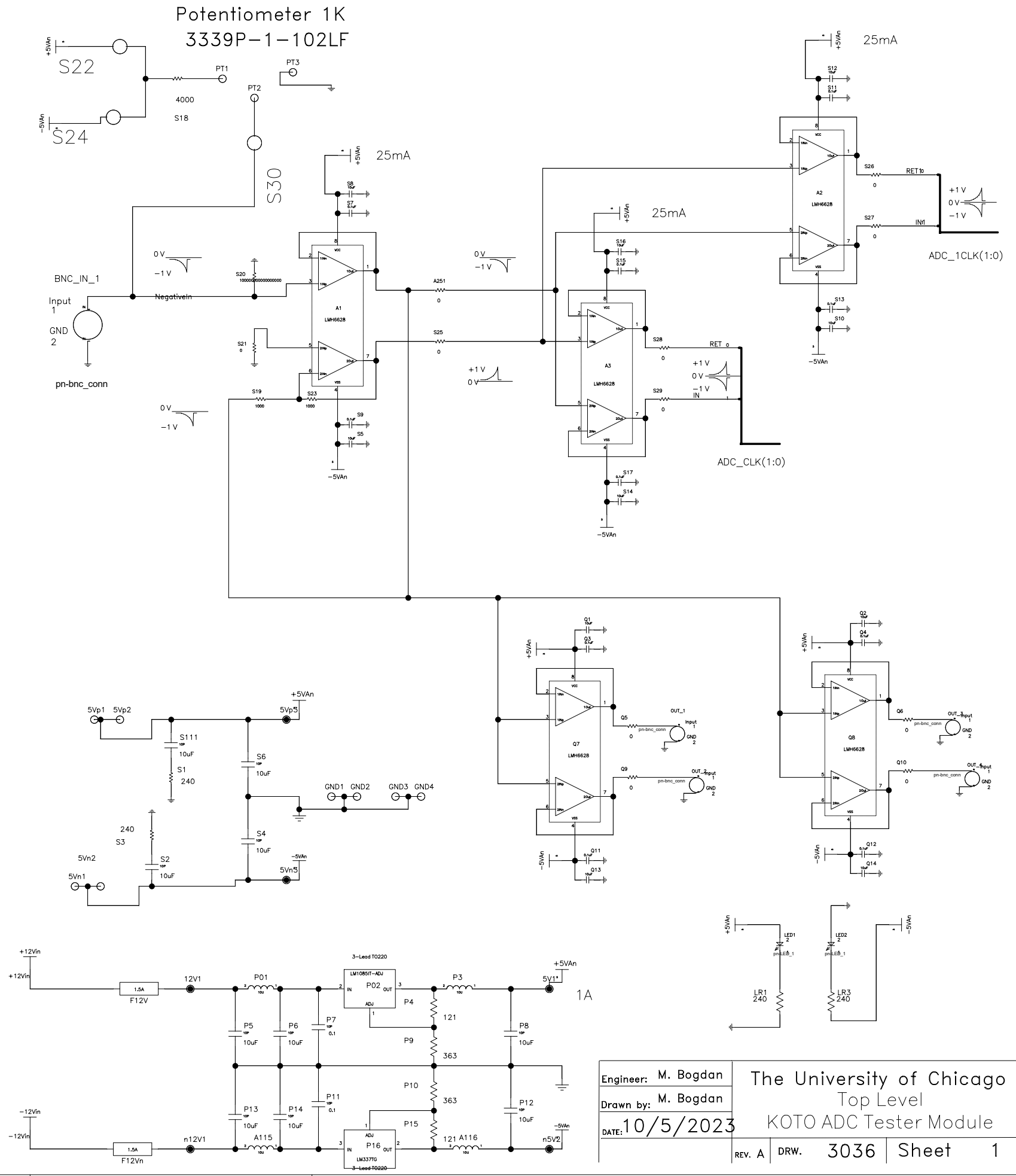


SCH# 3036
 SPC# 3037
 ASM# 3038



Engineer: M. Bogdan	The University of Chicago Top Level KOTO ADC Tester Module
Drawn by: M. Bogdan	
DATE: 10/5/2023	REV. A
	DRW. 3036 Sheet 1