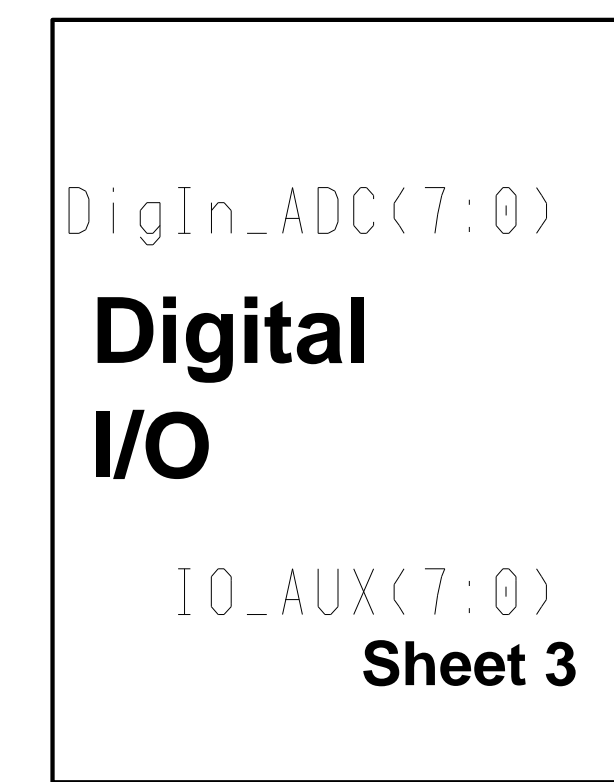
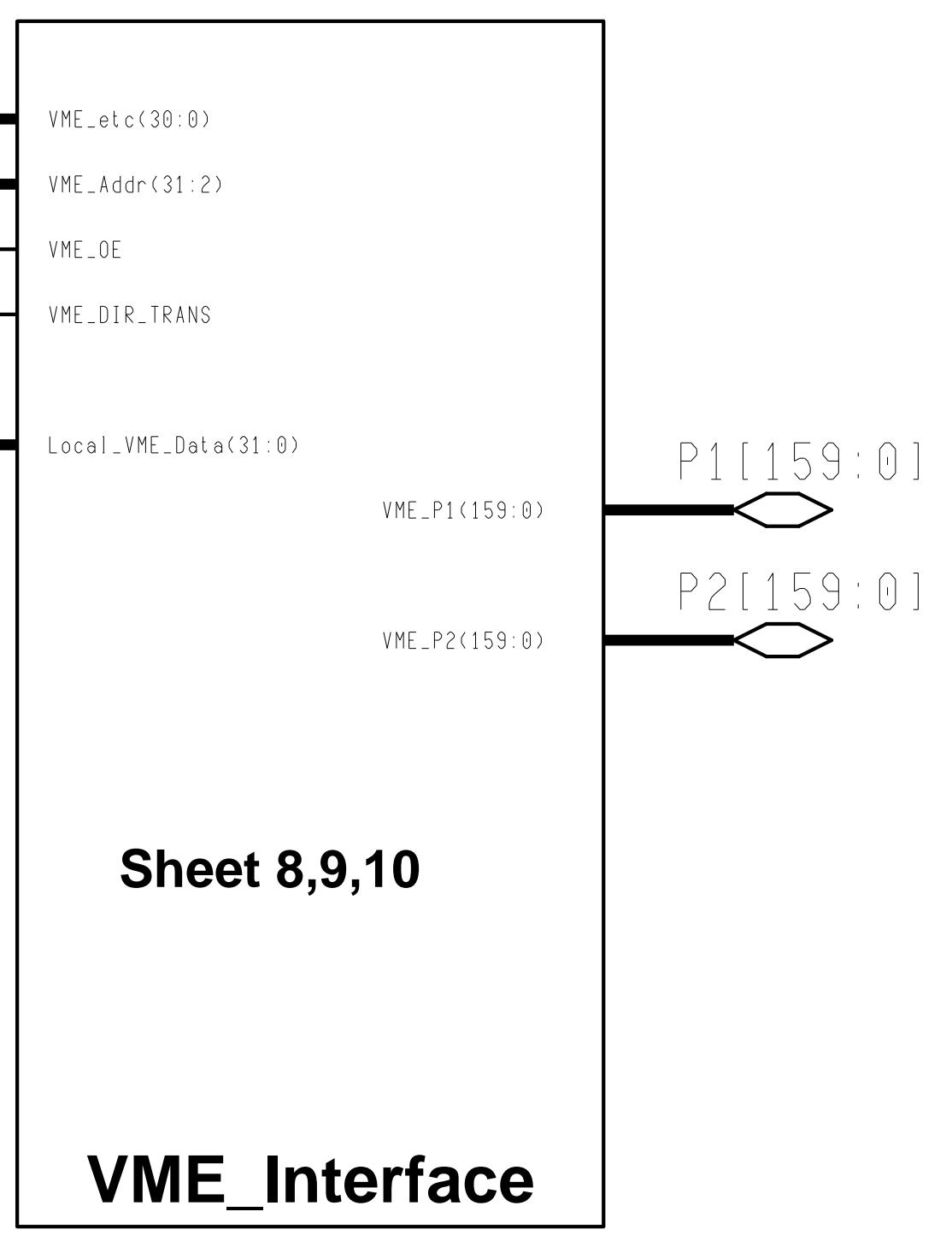
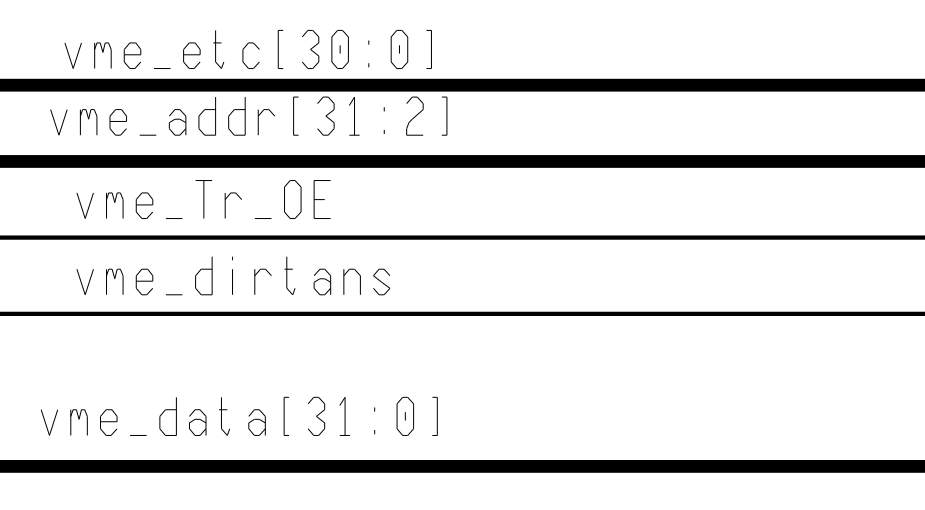
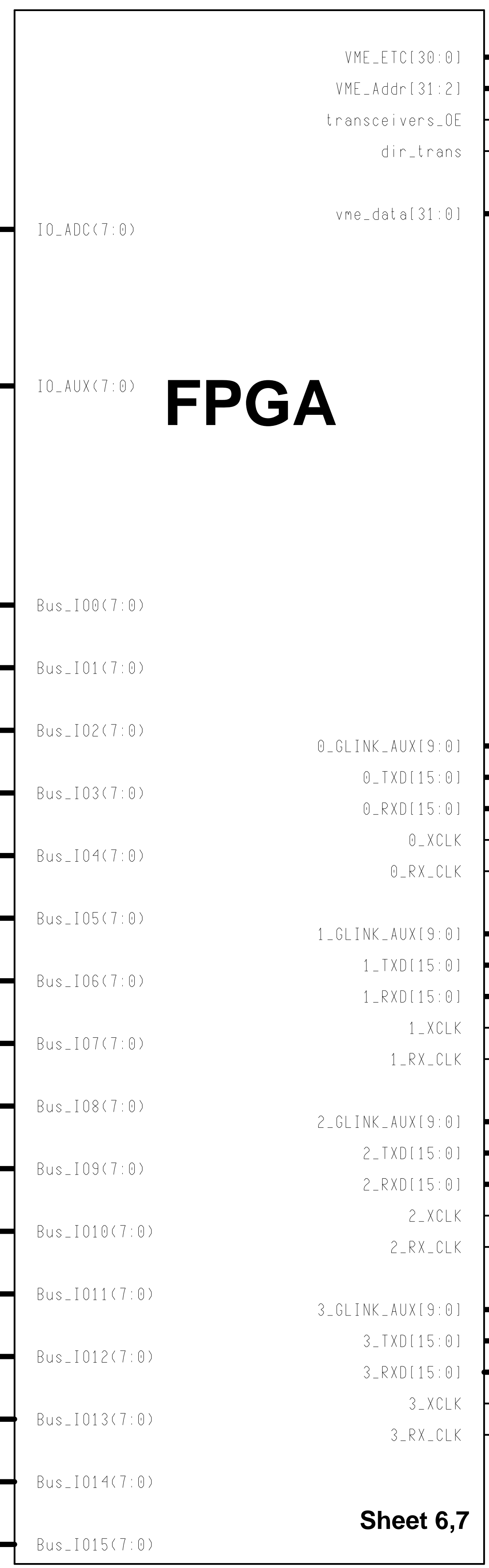


LVDS Repeaters
2 x FIN1104

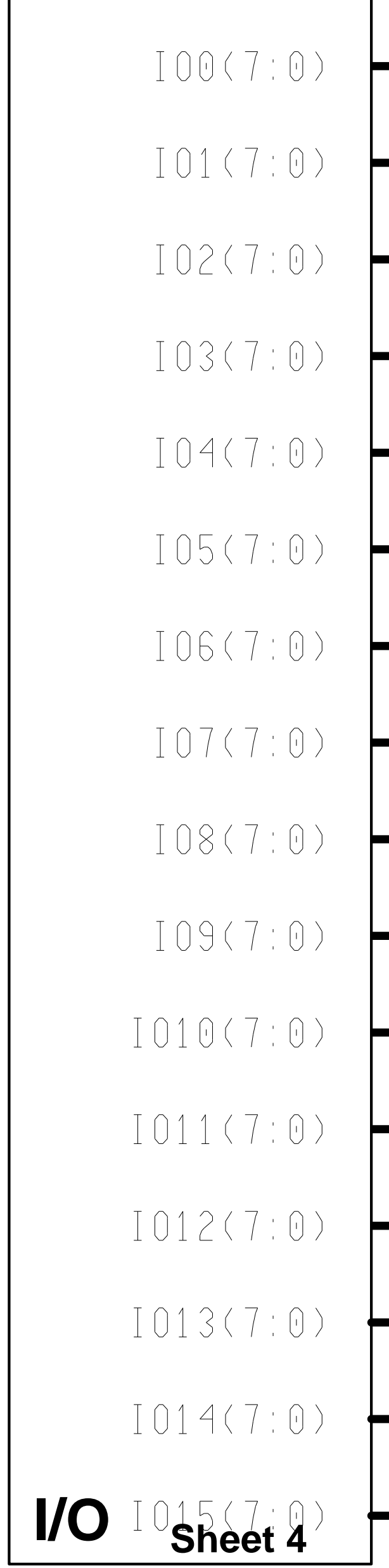


DigIn_ADC(7:0) LVDS: 3 x IN, 1 x OUT

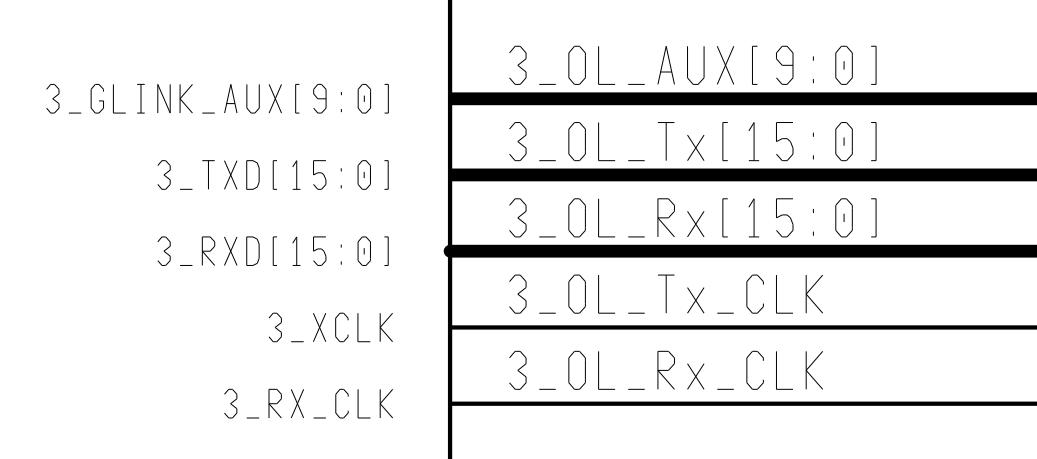
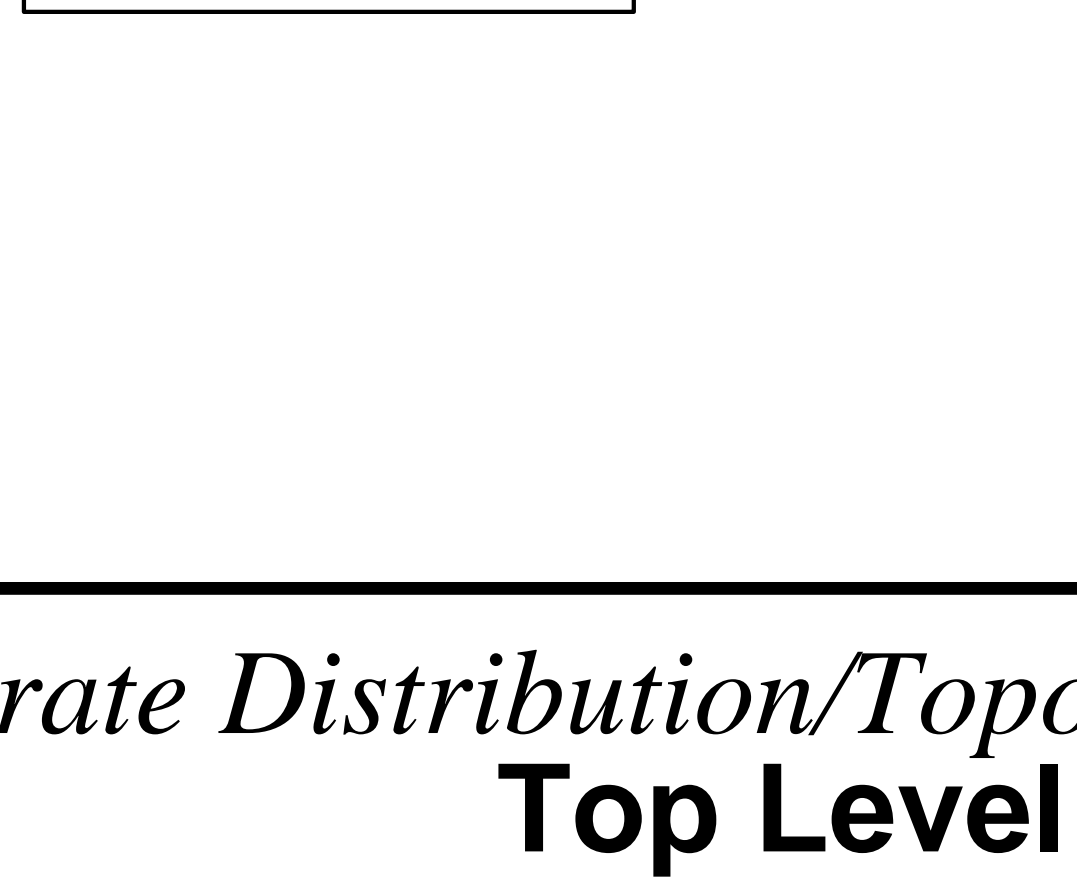
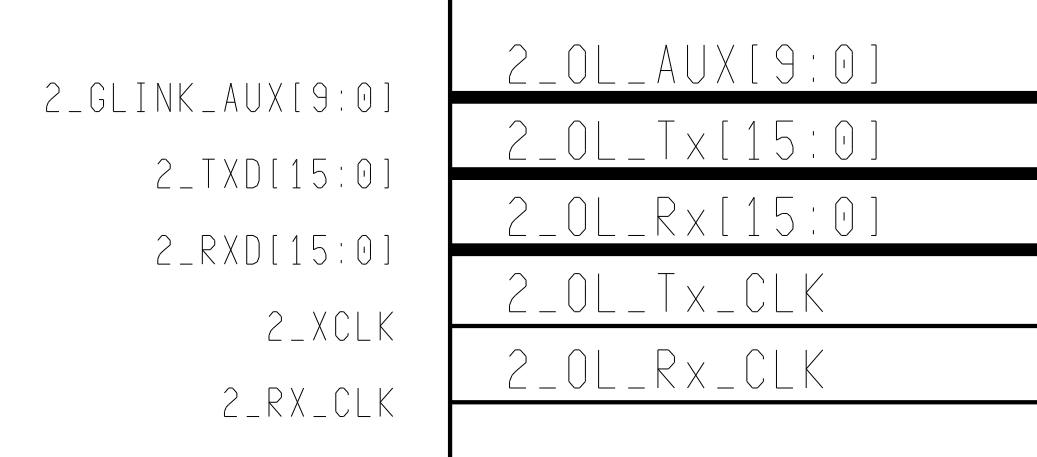
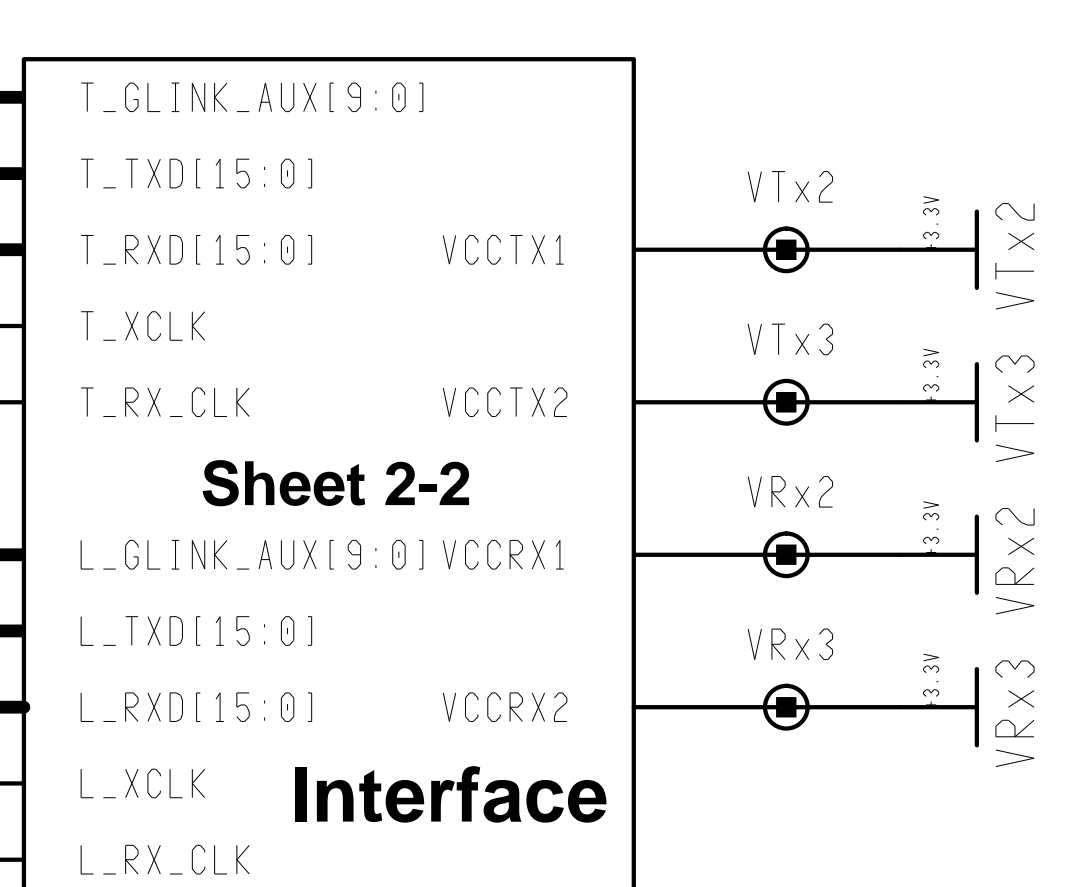
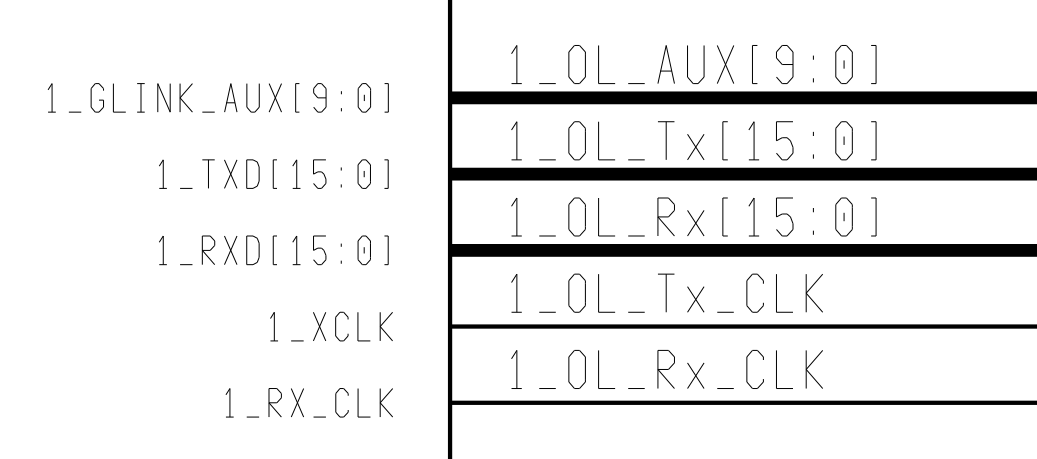
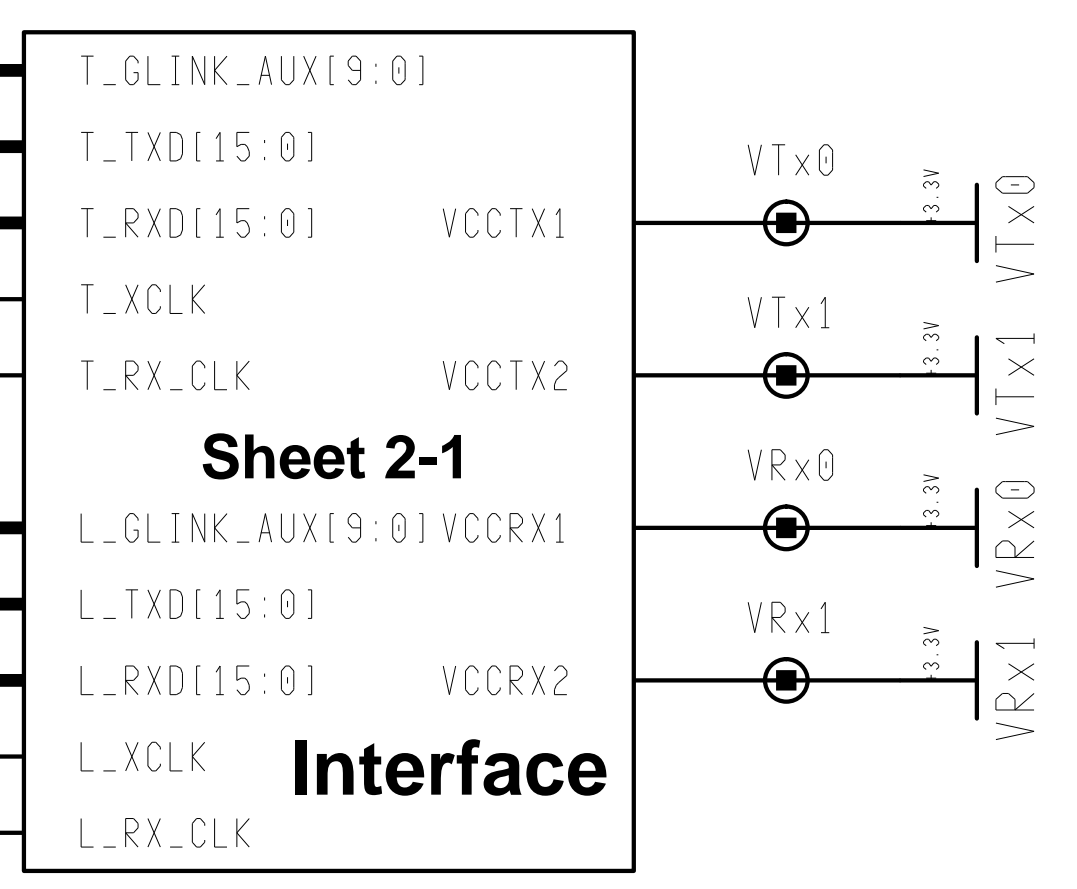
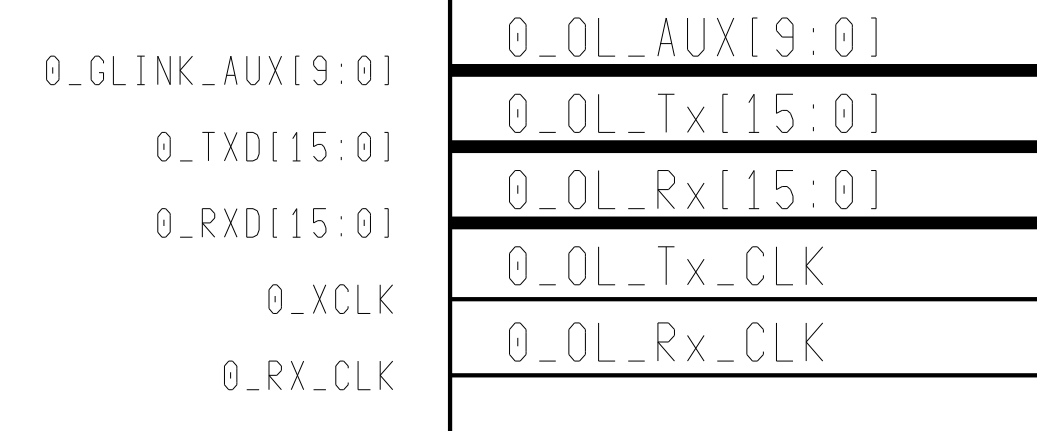
IO_AUX(7:0) LVDS: 1 x IN, 3 x OUT



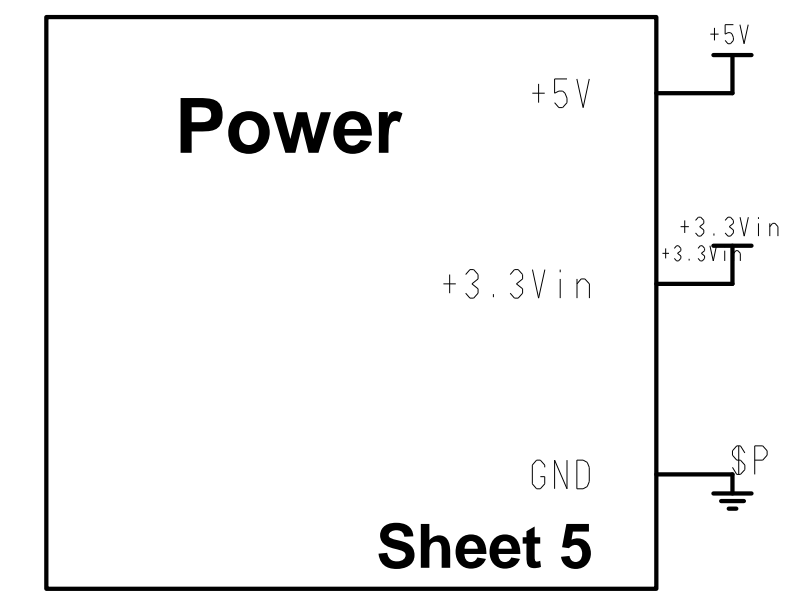
LVDS Repeaters
16 x FIN1104



IO_0(7:0) LVDS: 1 x IN, 3 x OUT



Sheet 6,7



Engineer:	M. Bogdan
Drawn by:	M. Bogdan
DATE:	10/14/2016
SPC#2878	ASM#2879

Crate Distribution/Topology Module
Top Level
The University of Chicago

REV. A | DRW. 2877 | Sheet 1