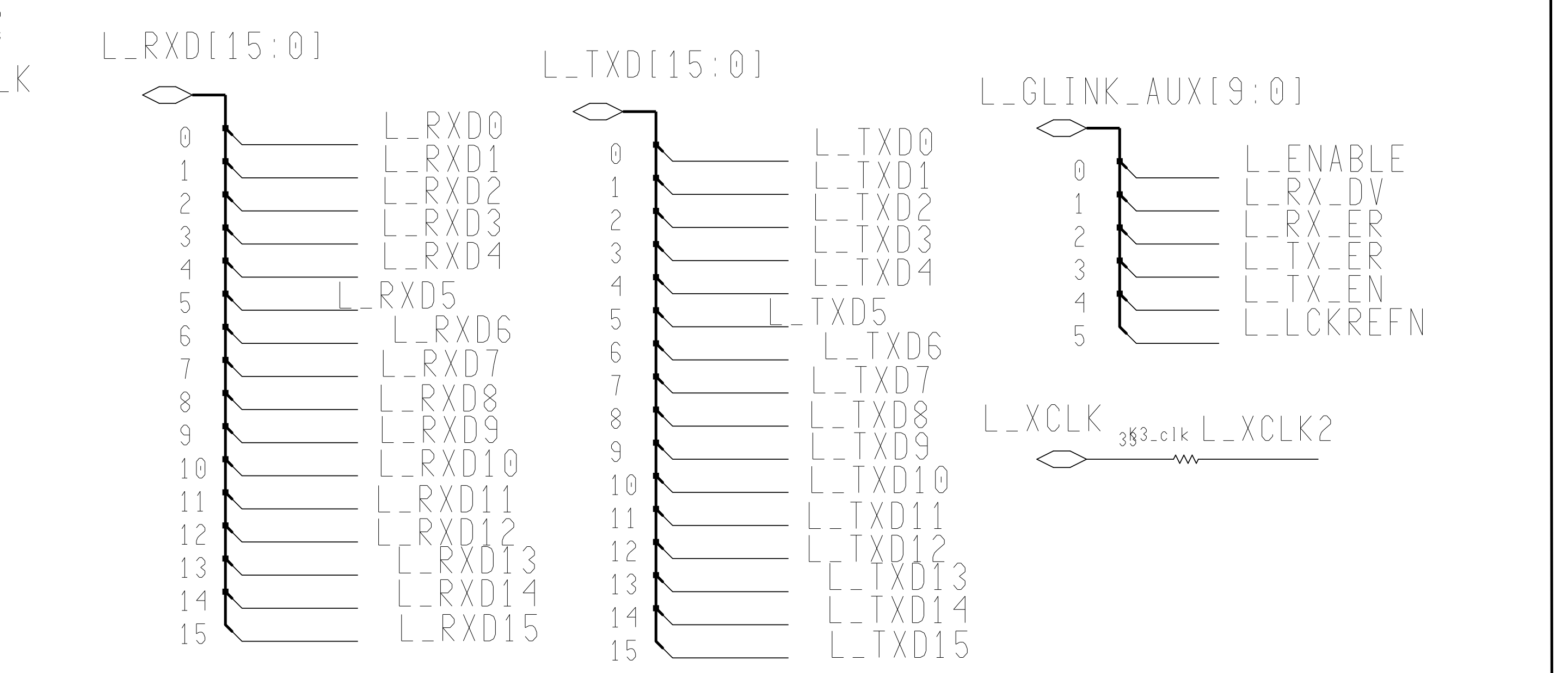
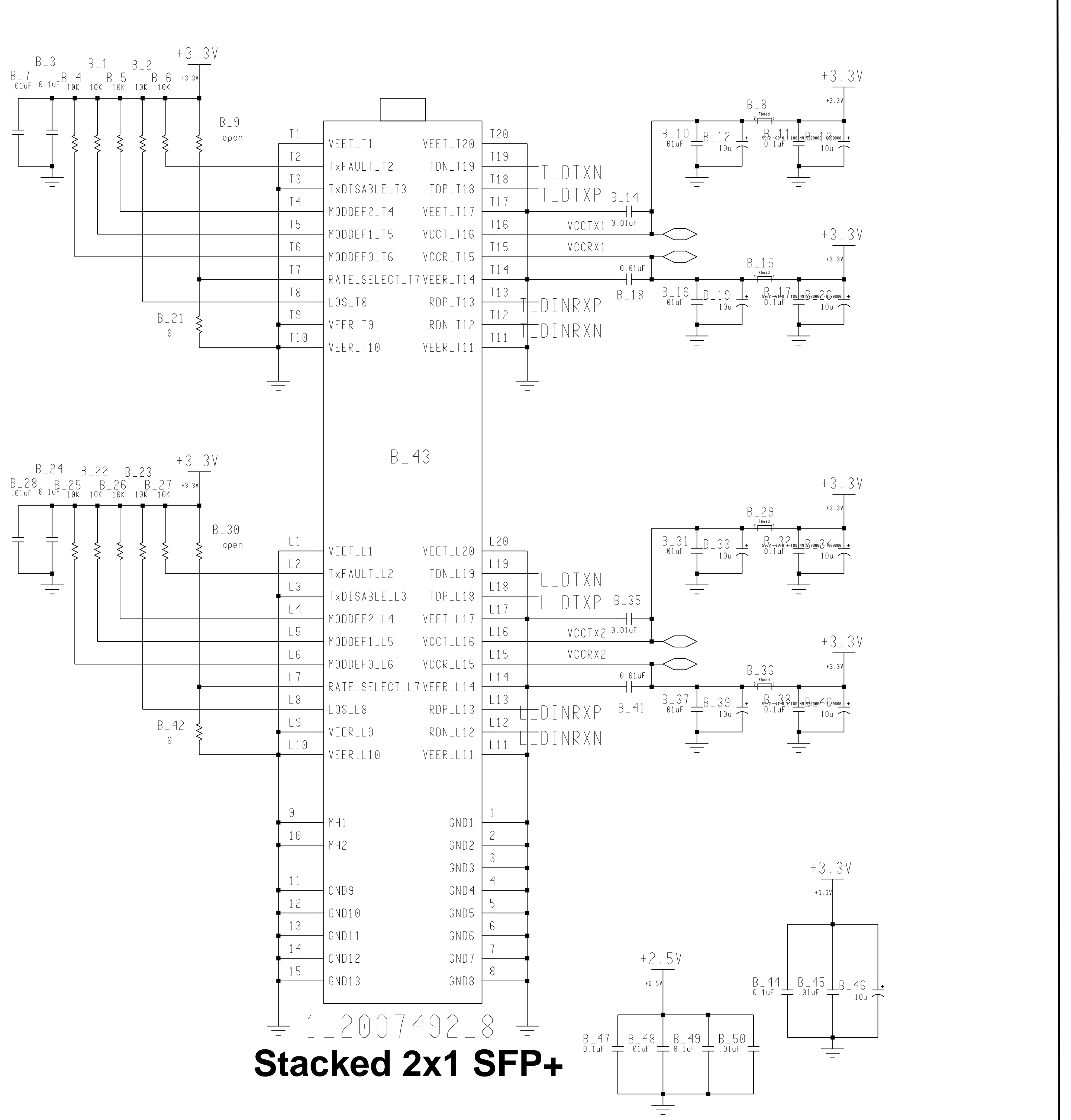
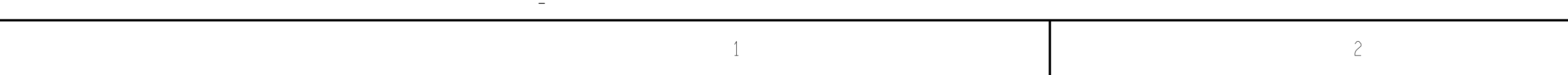
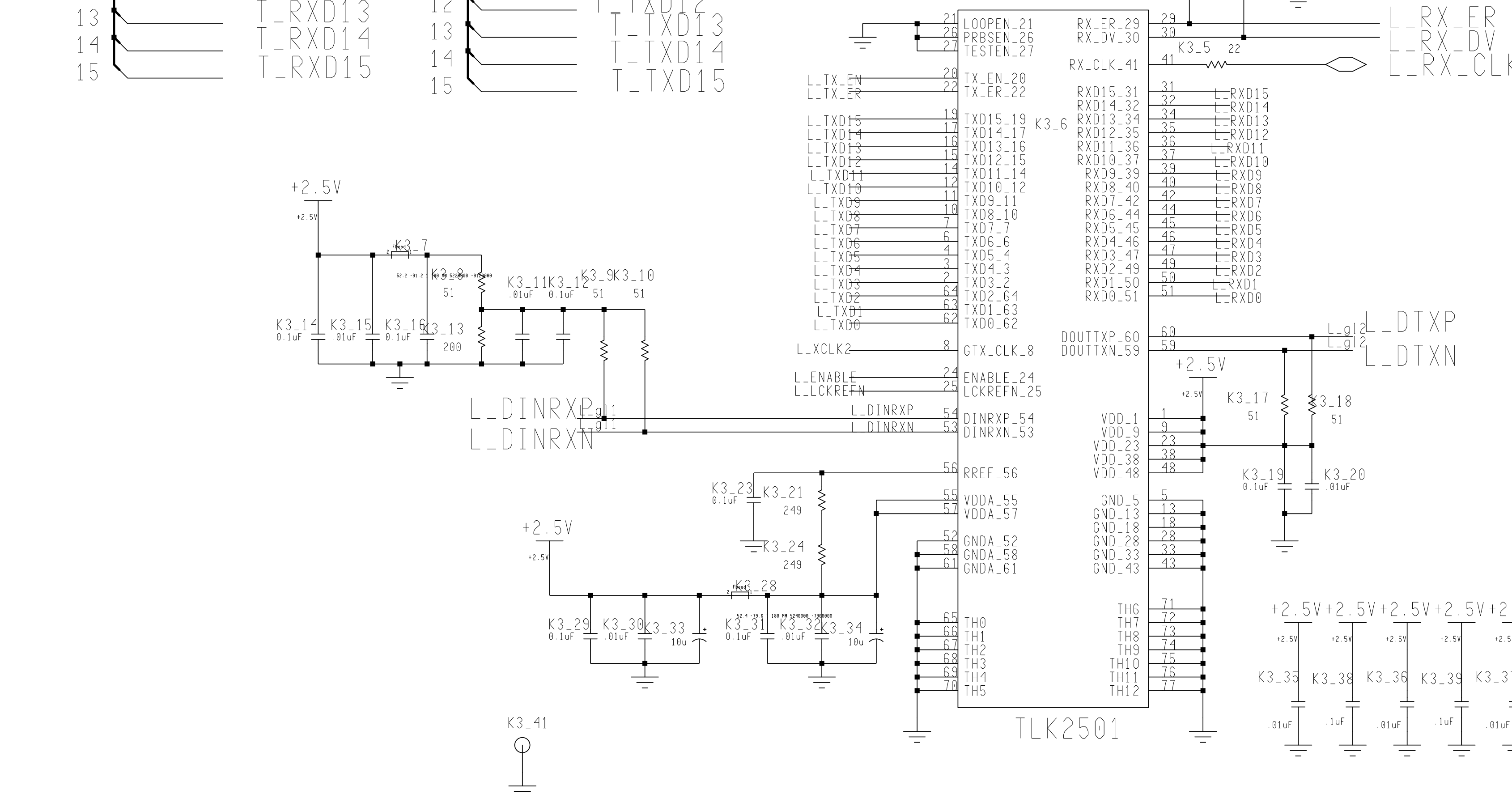
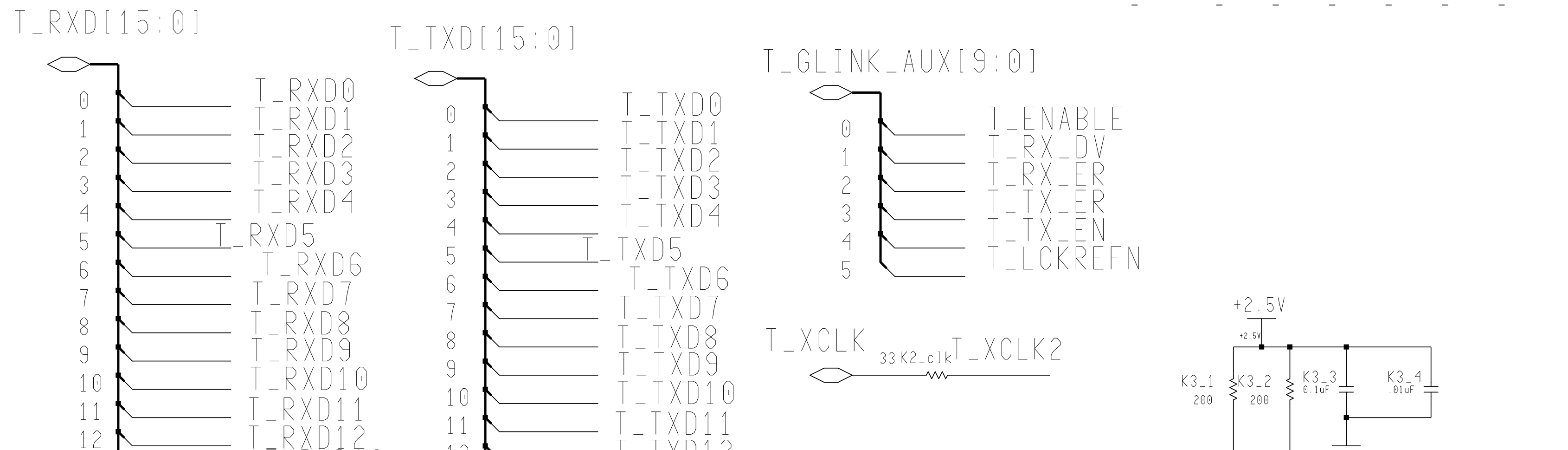
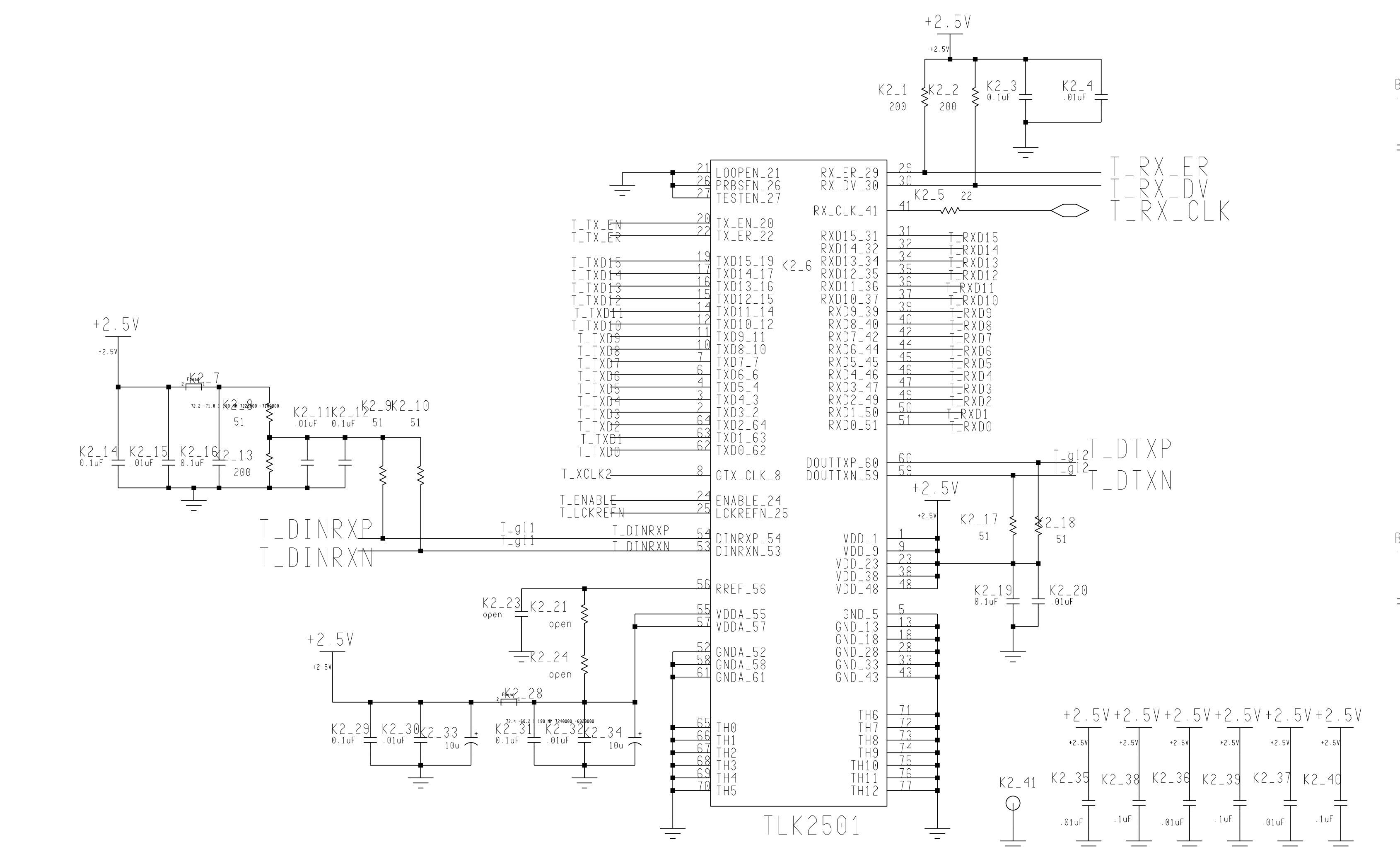


A

B

C

D



Stacked 2x1 SFP+

Engineer: **M. Bogdan**  
 Drawn by: **M. Bogdan**  
 DATE: **10/7/2017**  
 SPC#2878 ASM#2879

Crate Distribution/Topology Module  
 Optical Links 2,  
 The University of Chicago  
 REV. A | DRW. **2877** | Sheet 2-2