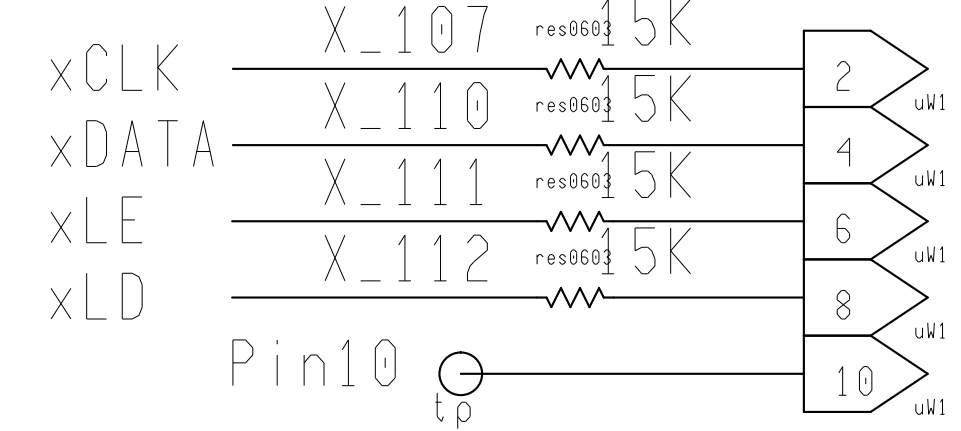
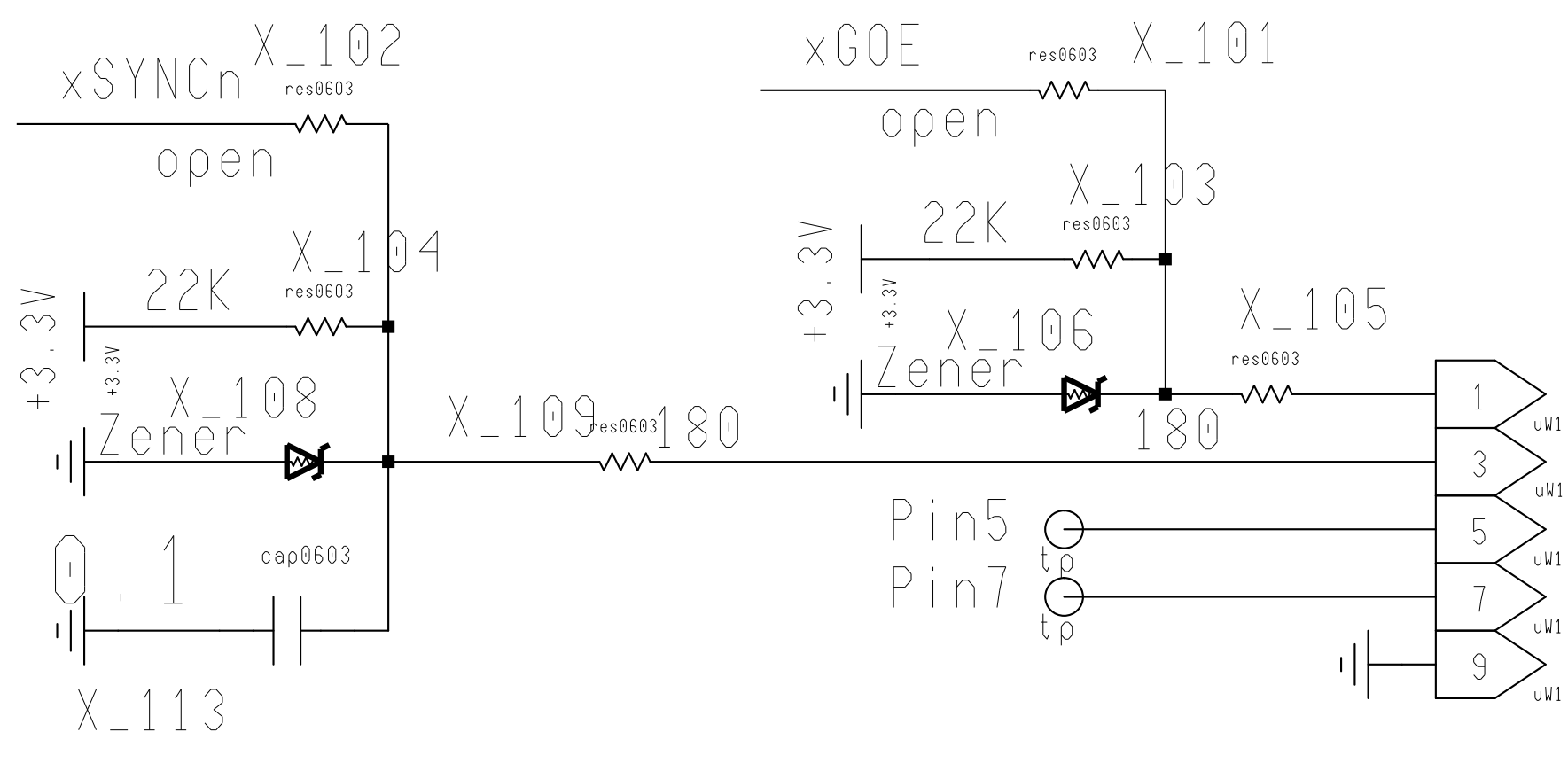
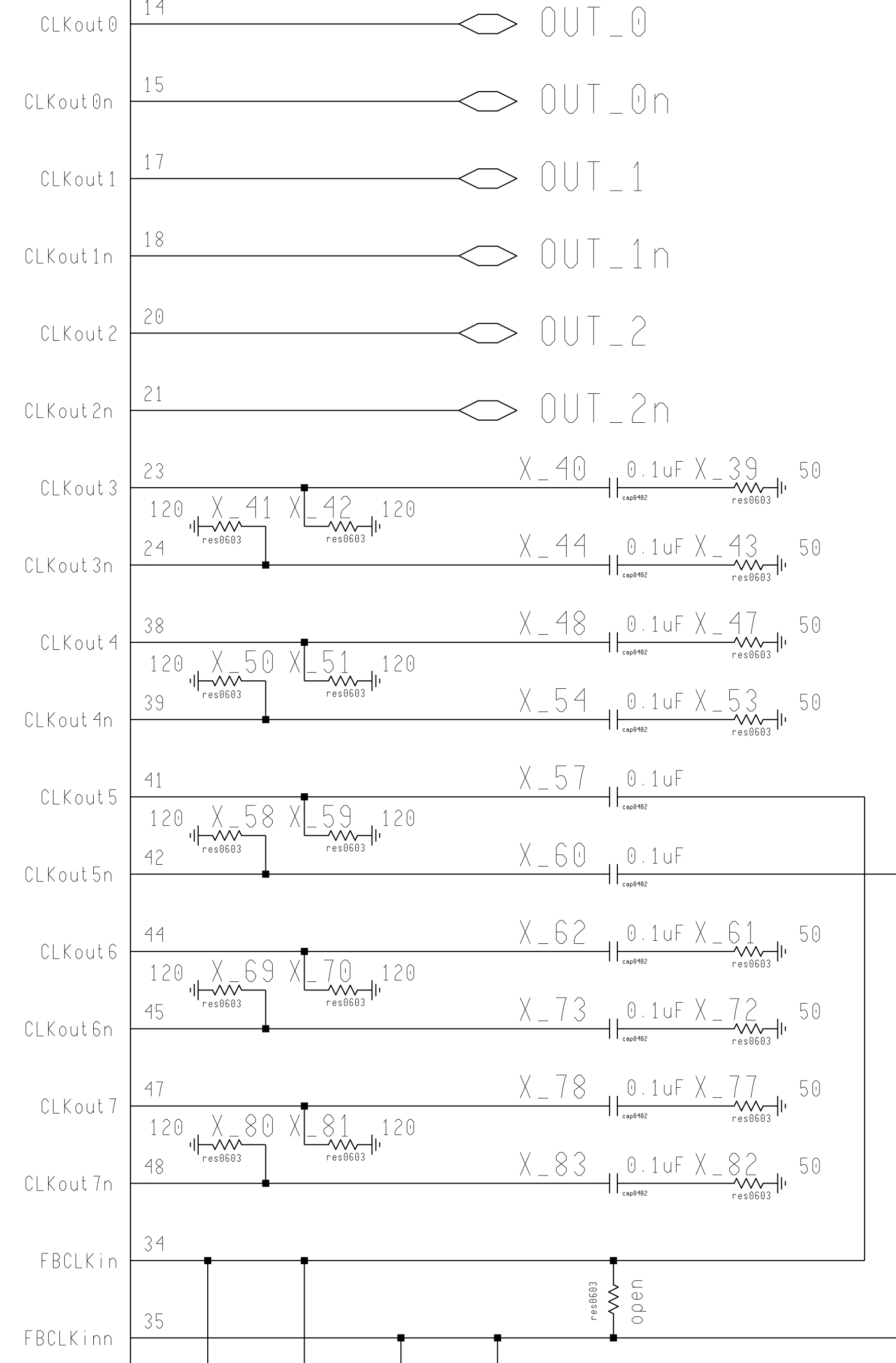
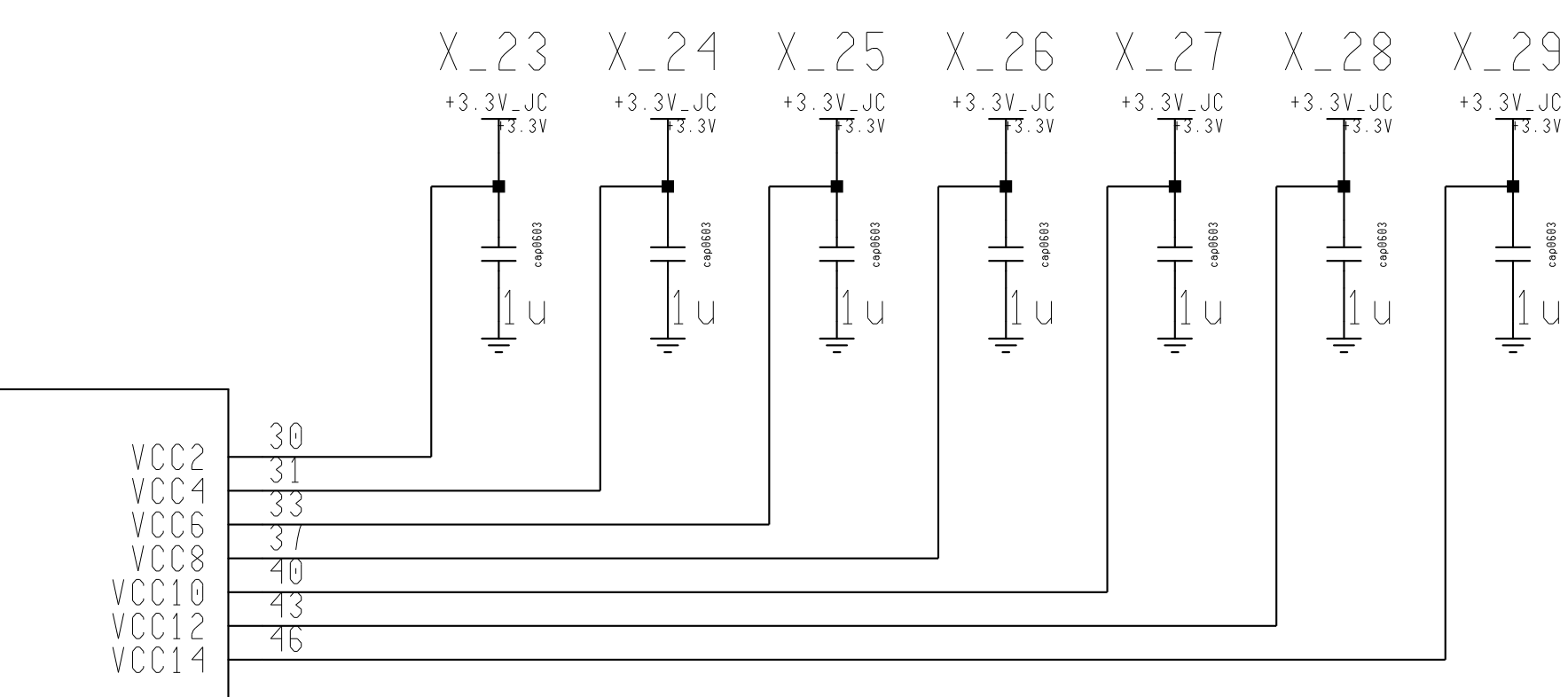
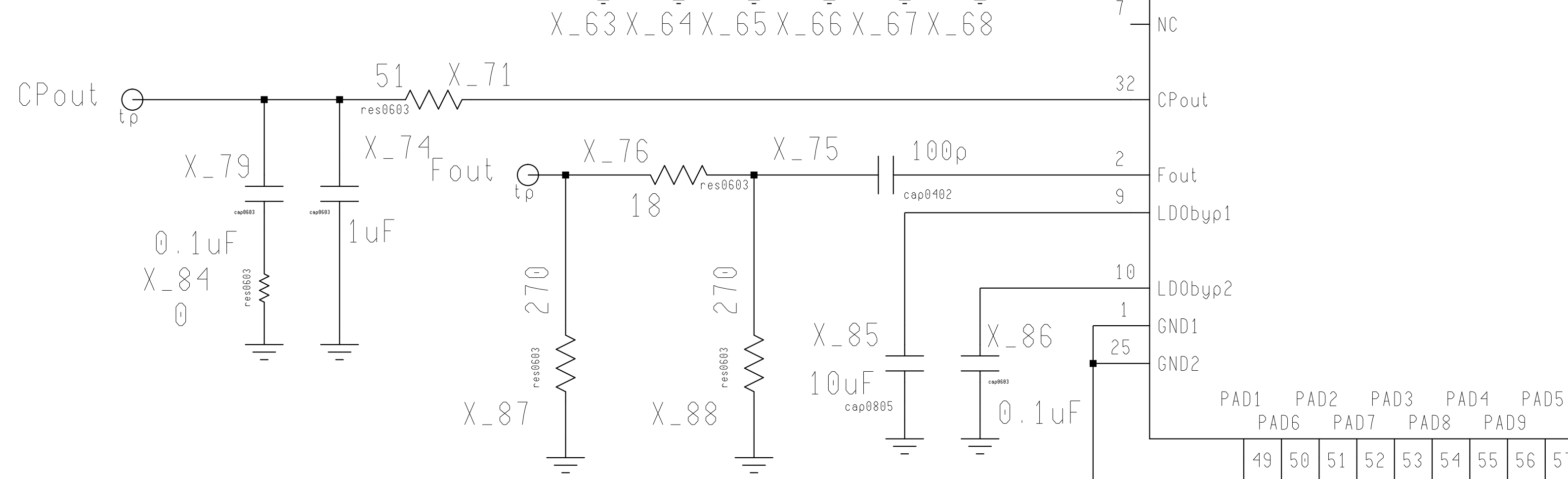


JC1

LMK03200



Engineer: M. Bogdan	<i>Crate Distribution/Topology Module</i> <b>Jitter Cleaner</b>		
Drawn by: M. Bogdan			
DATE: 10/7/2016	<b>The University of Chicago</b>		
SPC#2878 ASM#2879			
REV. A	DRW. 2877	Sheet 7	