

FTowers Drivers

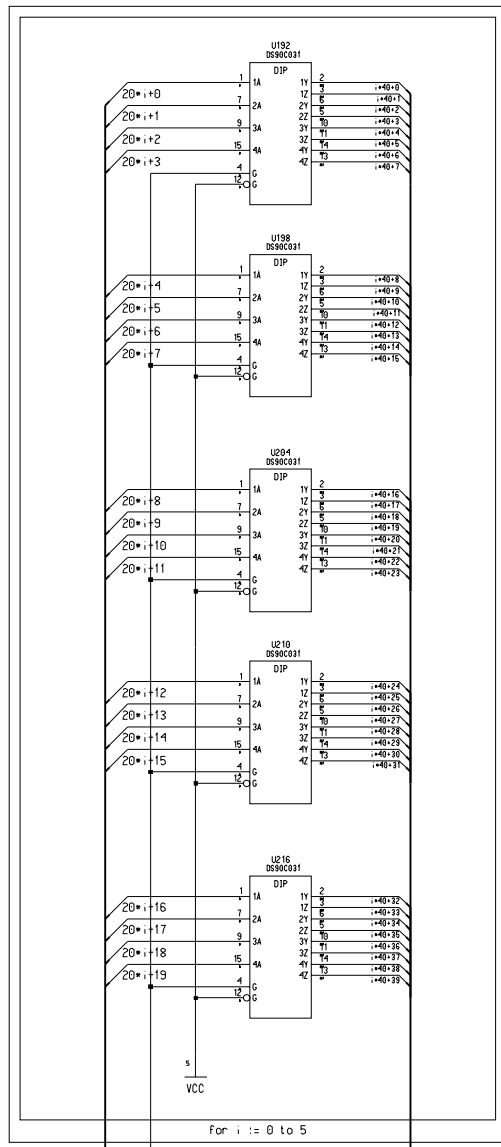


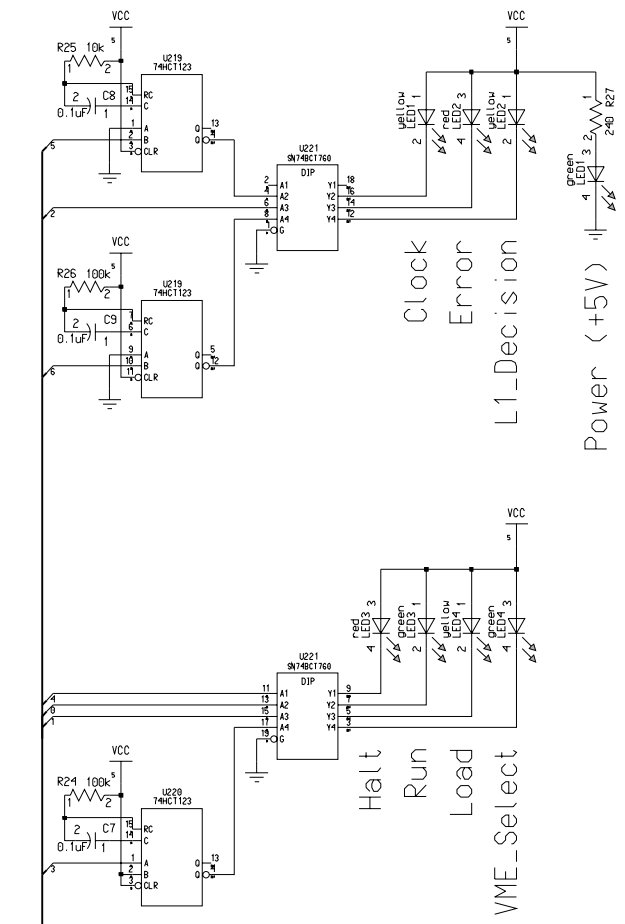
Table Drivers

- 0 U187,U193,U199,U205, U211
- 1 U188,U194,U200,U206, U212
- 2 U189,U195,U201,U207, U213
- 3 U190,U196,U202,U208, U214
- 4 U191,U197,U203,U209, U215
- 5 U192,U198,U204,U210, U216

FP_CON
(Sheet 20)

FTOW(239:0)

Some Light



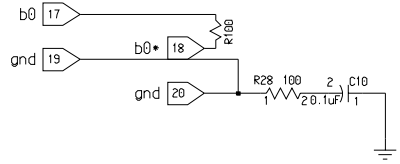
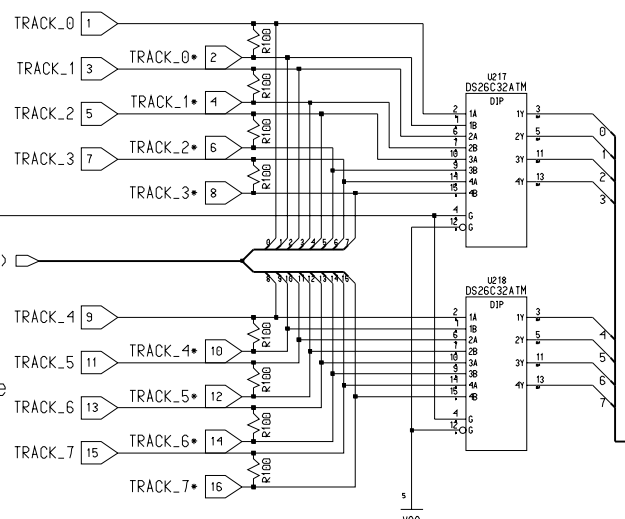
FTOWERS(119:0)

Control(130:0)

FPpanel controls

Control(0) - Output FTowers
Control(1) - TrackIn Receiver Enable

FP4 TrackIn Receiver



UNIVERSITY OF CHICAGO ELECTRONICS DEVELOPMENT GROUP	
TITLE DIRAC / Front Panel	
DATE	REVISION DESCRIPTION
23 Jun 1996	Original Design -- YF
14 Dec 1996	Minor Changes - 3 80pin connectors for L2
18 Nov 1996	3rd Prototype - Bug Fixes
SHEET 19 OF 24	C-2351
DATE 18 Nov 1996	REV C
DRWN JW	

DATE	REVISION DESCRIPTION
23 Jun 1996	Original Design -- YF
14 Dec 1996	Minor Changes - 3 80pin connectors for L2
18 Nov 1996	3rd Prototype - Bug Fixes