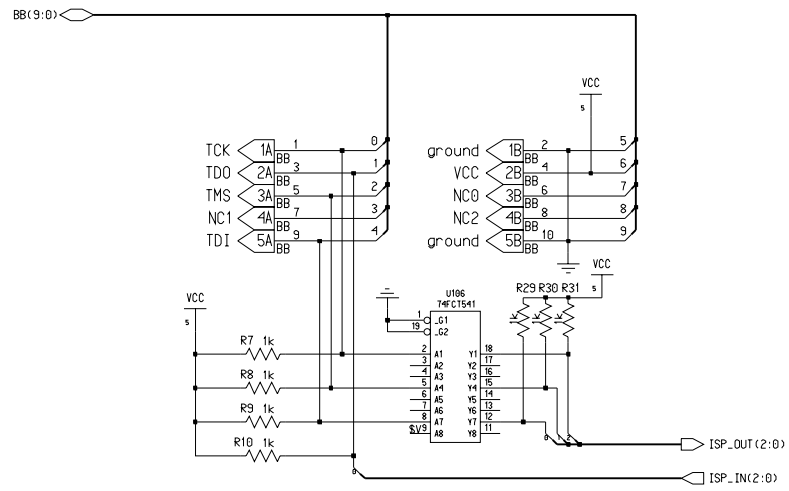


This is the 10 bit connector for Bit Blaster connectivity. This is the connection to the world for ISP(In System Programmability).



UNIVERSITY OF CHICAGO
ELECTRONICS DEVELOPMENT GROUP

TITLE
DIRAC/Bit Blaster Header

DATE	REVISION DESCRIPTION
18 Nov 1996	Third Prototype: Bug Fixes

SHEET 23 OF 24	C-2351
DATE 18 Nov 1996	REV C
DRWN JW	