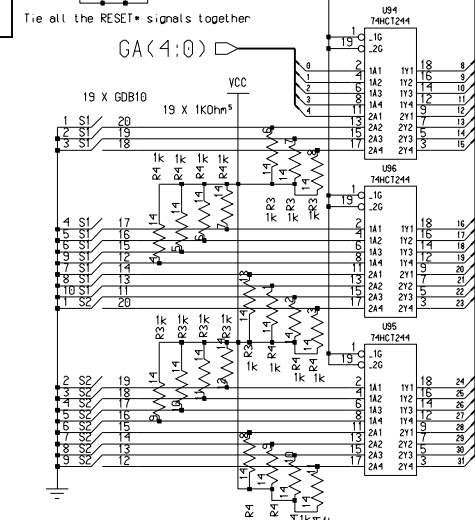


ISP\_IN(2:0)   
 Data(31:0)

ISP INPUT  
 ISP\_IN(0) - TDI From Previous Chip in Chain  
 ISP\_IN(1) - TMS Signal  
 ISP\_IN(2) - TCK Signal

ISP OUTPUT  
 ISP\_OUT(0) - TDO To Next Chip in Chain  
 ISP\_OUT(1) - TMS Signal(Tied to ISP\_IN(1))  
 ISP\_OUT(2) - TCK Signal(Tied to ISP\_IN(2))



This is the 24 MSBs of the first DAQ readout word.

UNIVERSITY OF CHICAGO ELECTRONICS DEVELOPMENT GROUP		TITLE DIRAC / Control	
DATE	REVISION	SHEET	6 OF 24
13 Apr 1994	Original design - YF	DATE	18 Nov 1996
26 Jul 1995	Next Prototype - Major Changes	DRWN	JW / MB
23 Apr 1998	3rd Prototype - Bug Fixes		C-2351 REV C