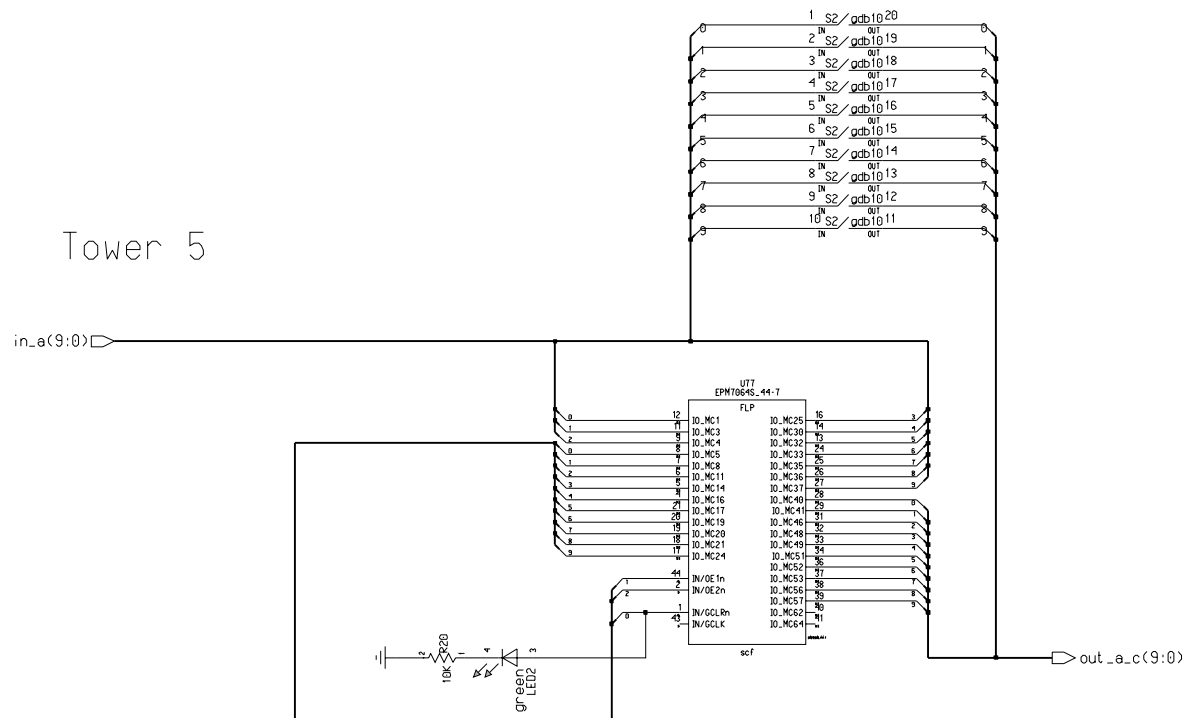
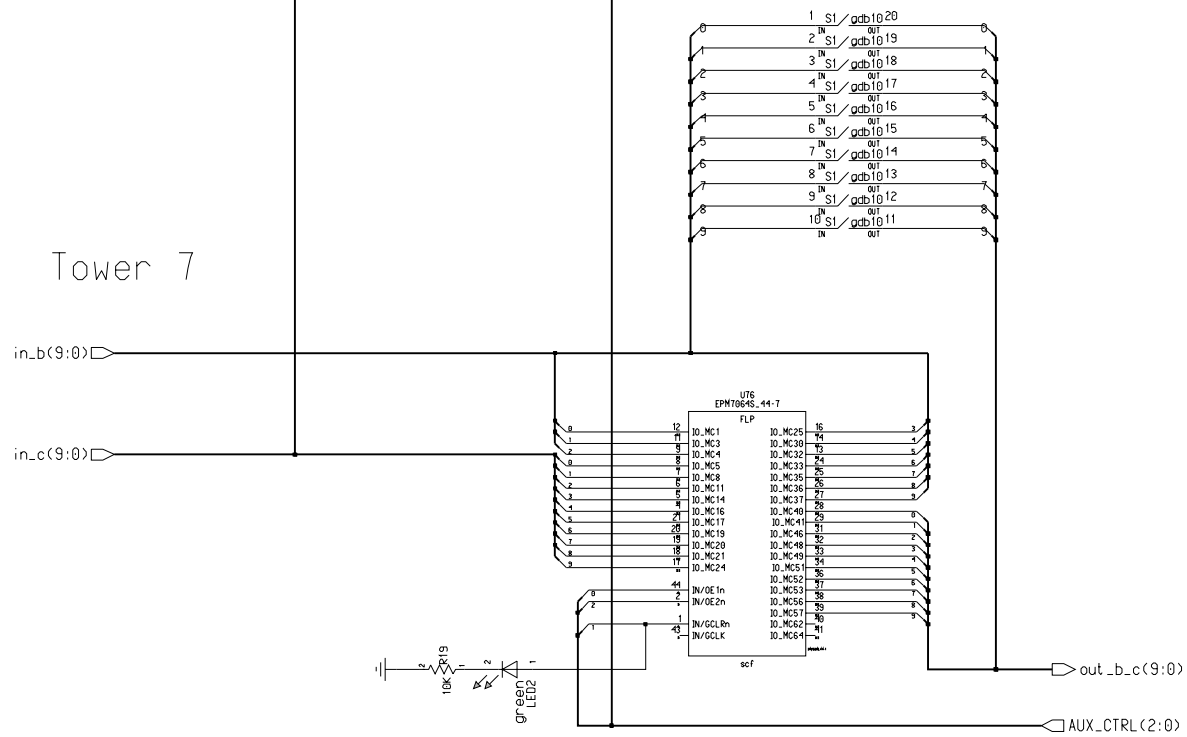


Tower 5



Tower 7



UNIVERSITY OF CHICAGO ELECTRONICS DEVELOPMENT GROUP	
TITLE CDF Level1 / AUX	
SHEET 9 OF 13	C-2374
DATE July 31, 98	REV B
DRWN M. Bogdan	

DATE	REVISION DESCRIPTION