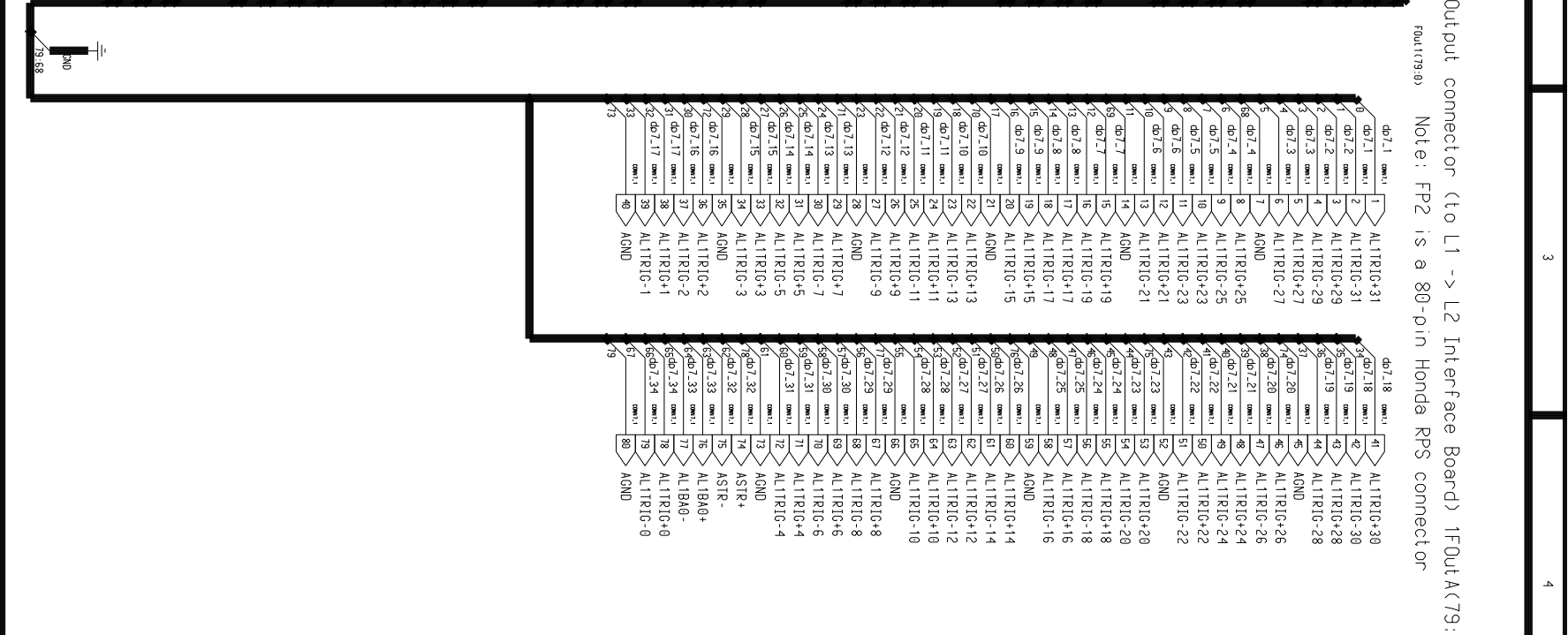
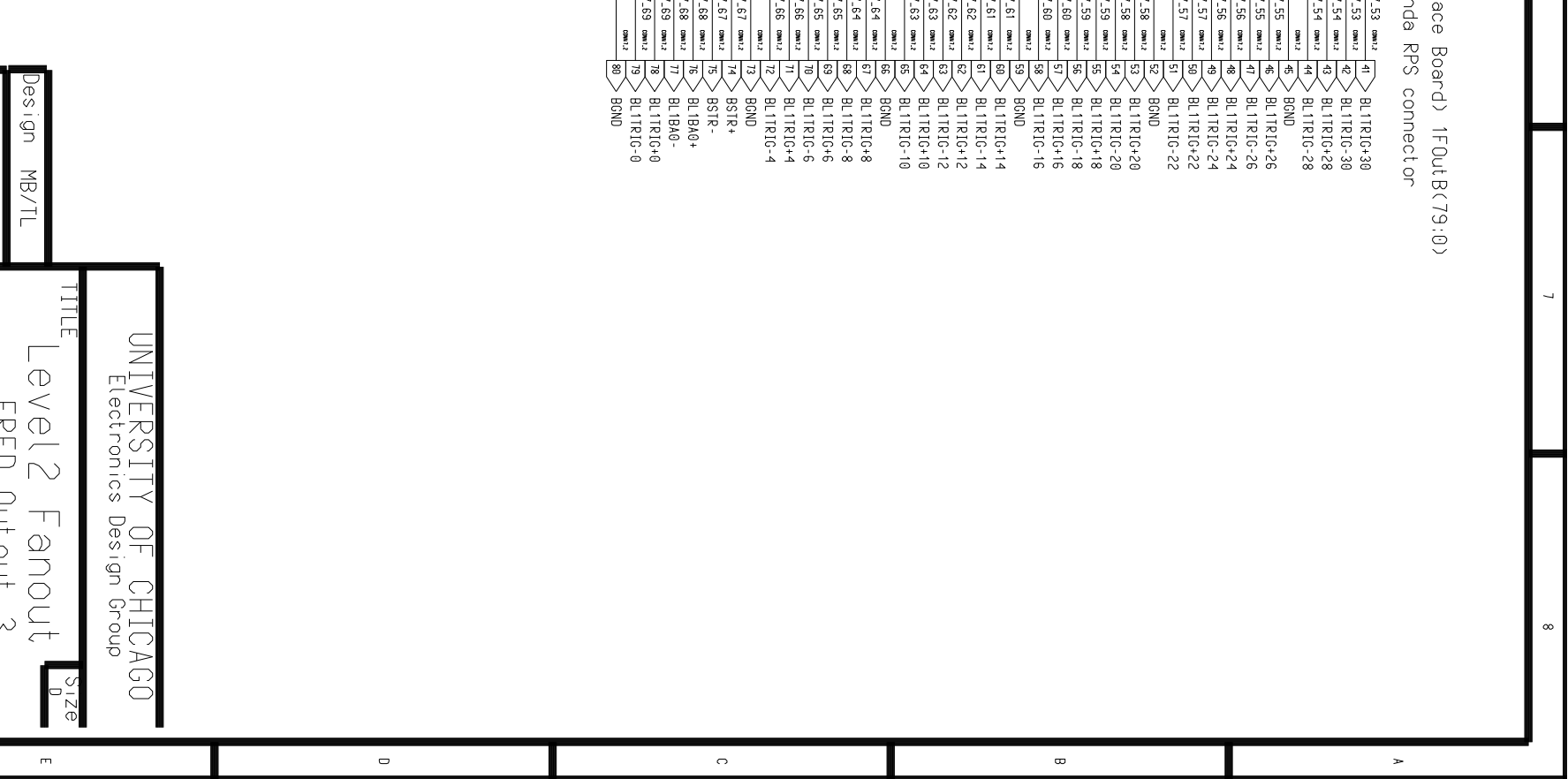
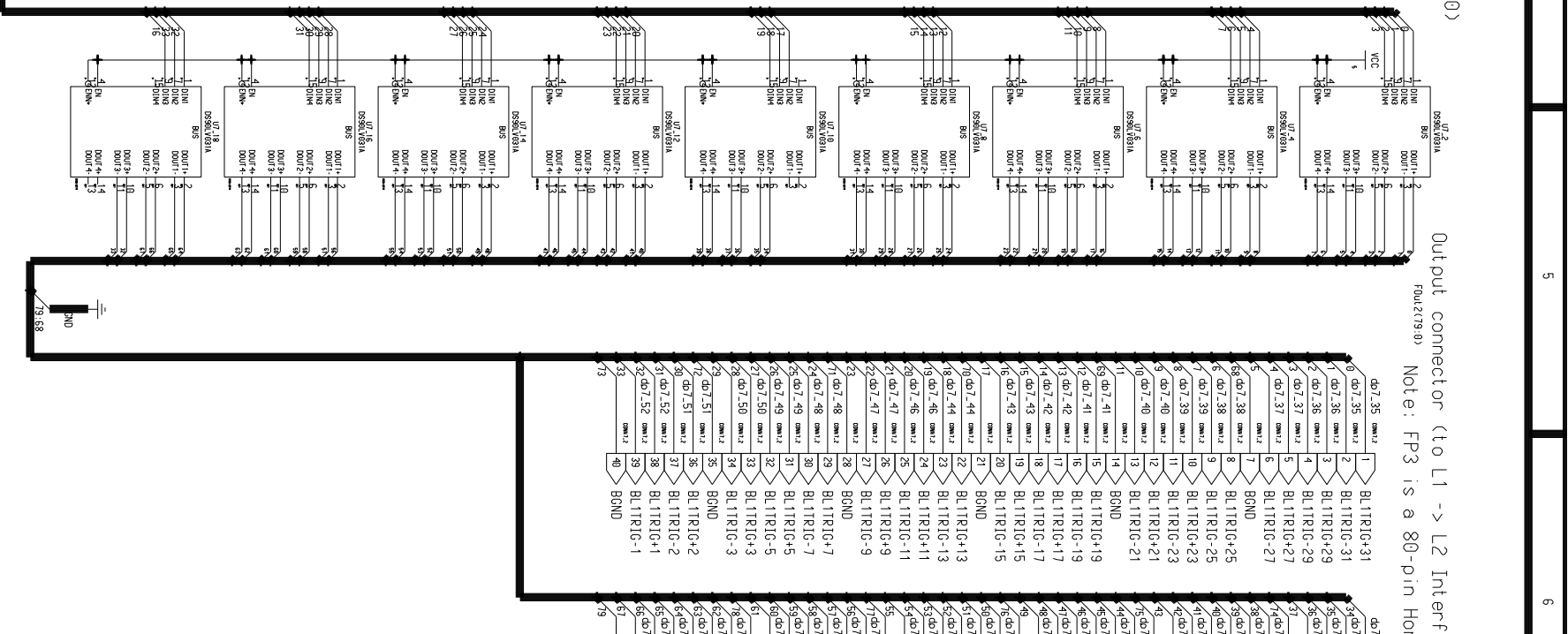


Output connector (to L1 -> L2 Interface Board) IFOutA(79:0)
 Note: FP2 is a 80-pin Honda RPS connector



Output connector (to L1 -> L2 Interface Board) IFOutB(79:0)
 Note: FP3 is a 80-pin Honda RPS connector



DESIGN	MB/TL
CHECK	
DATE	01/22/04
TITLE	Level2 Fanout
DESIGNER	FRED Output 3
REV	Drawing Number 2541
SHEET	7 of 17

UNIVERSITY OF CHICAGO
 Electronics Design Group