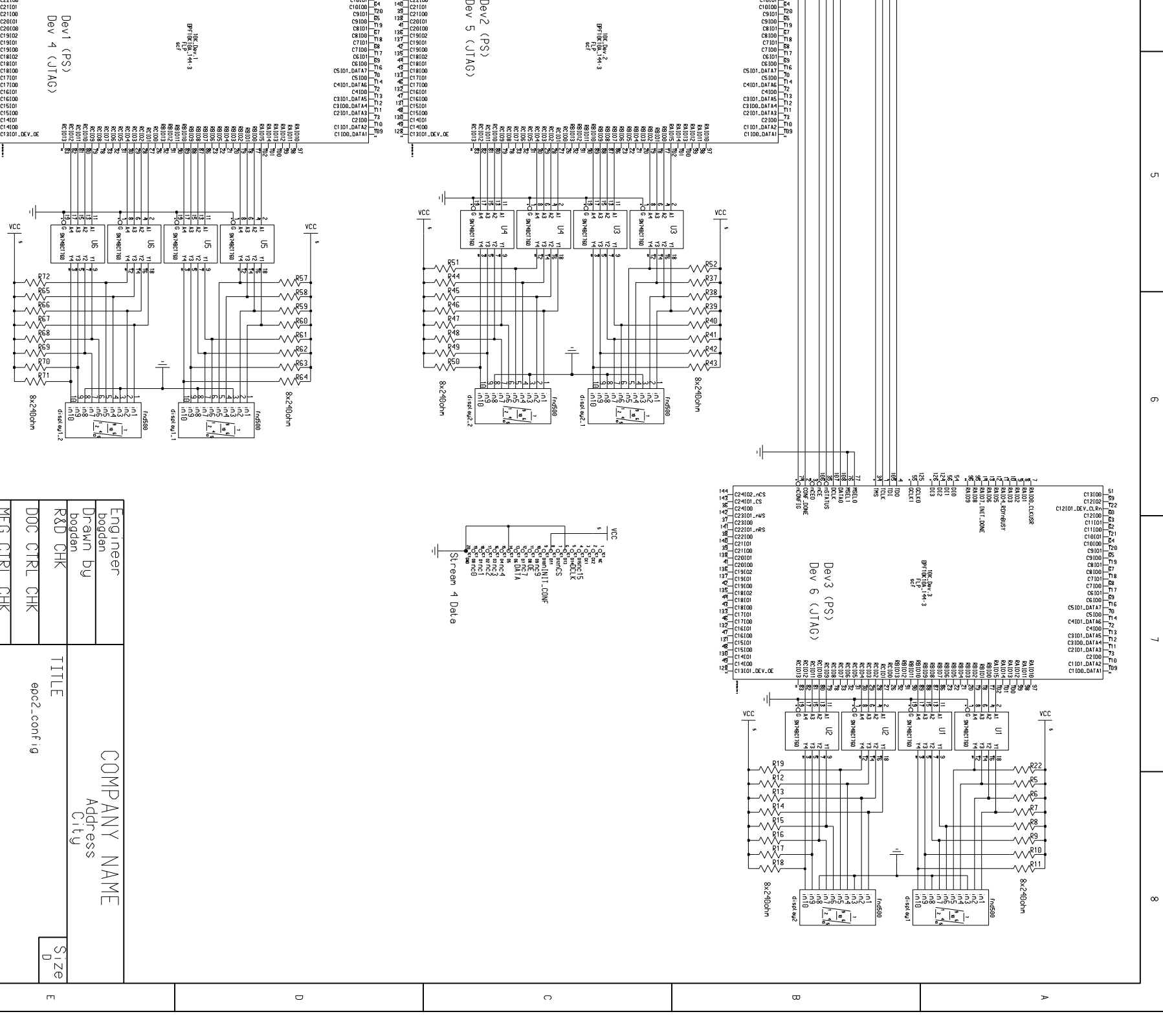
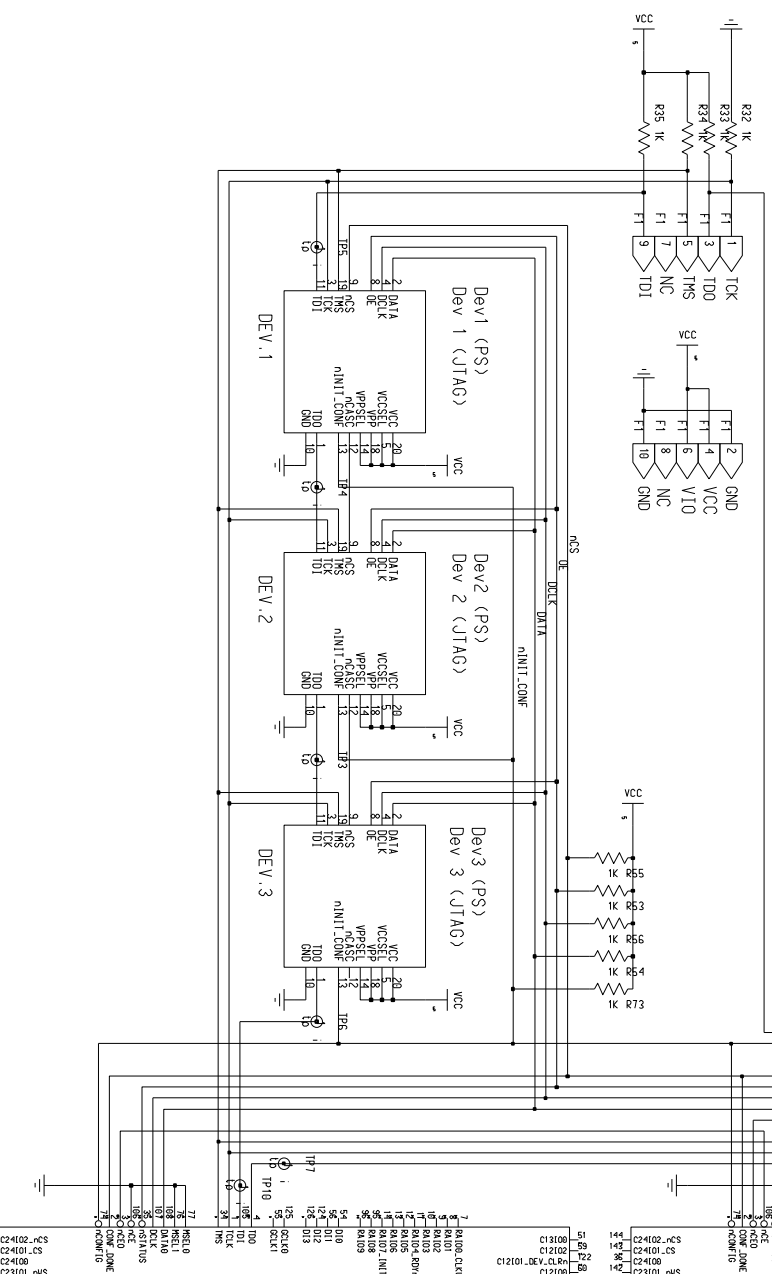


FT1: connector to ByteBlasterHW (JTAG mode)



Changed by	Date Changed	Time	QA CHK	REV	Drawing Number	Sheet	of
Dogdan	Tuesday, August 17, 1999	8:45:37 am					

Engineer	COMPANY NAME Address City
Drawn by	
R&D CHK	
DOC CTRL CHK	
MFG CTRL CHK	TITLE
	epoc2-conf ig
	Size
	D